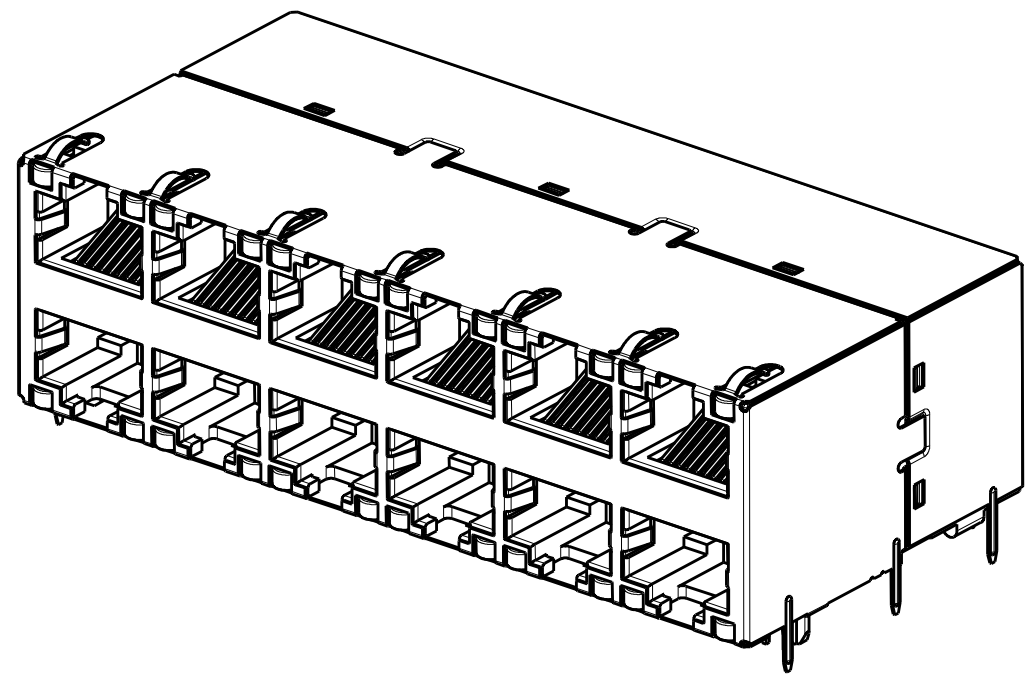


THIS DRAWING AND THE SUBJECT MATTER SHOWN THEREON ARE CONFIDENTIAL AND THE PROPERTY OF BEL/STEWART/TRP CONNECTOR AND SHALL NOT BE REPRODUCED, COPIED, OR USED IN ANY MANNER WITHOUT THE WRITTEN CONSENT OF TRP CONNECTOR.

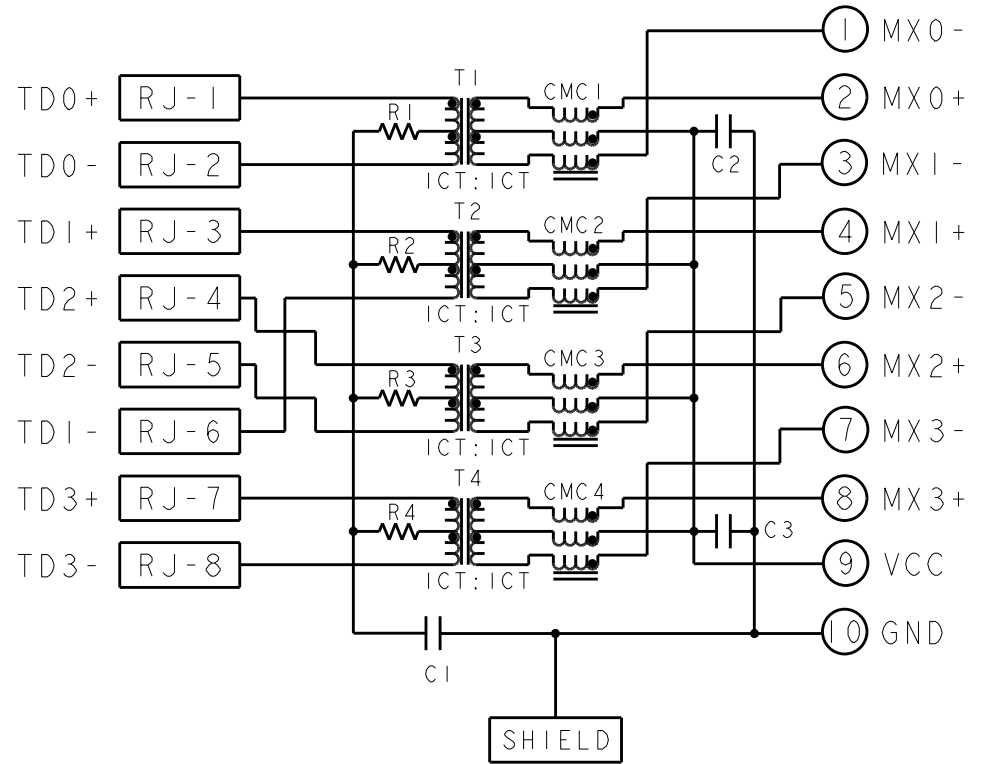
PRODUCT MAY BE PROTECTED BY ONE OR MORE OF THE FOLLOWING US PATENTS:
 5736910 5939955 6425781 6428361 6554638 6840817 7123117
 7429195 7717749 7808751 6217391 6149050 7924130

REVISIONS				
REV	DATE	BY	APPV	DESCRIPTION
D	04FEB2015	CZ	TY	EC-1411035 COMPANY LOGO CHANGE



S8G56 GIGABIT CIRCUIT $\Delta\Delta$

TOP AND BOTTOM PORTS



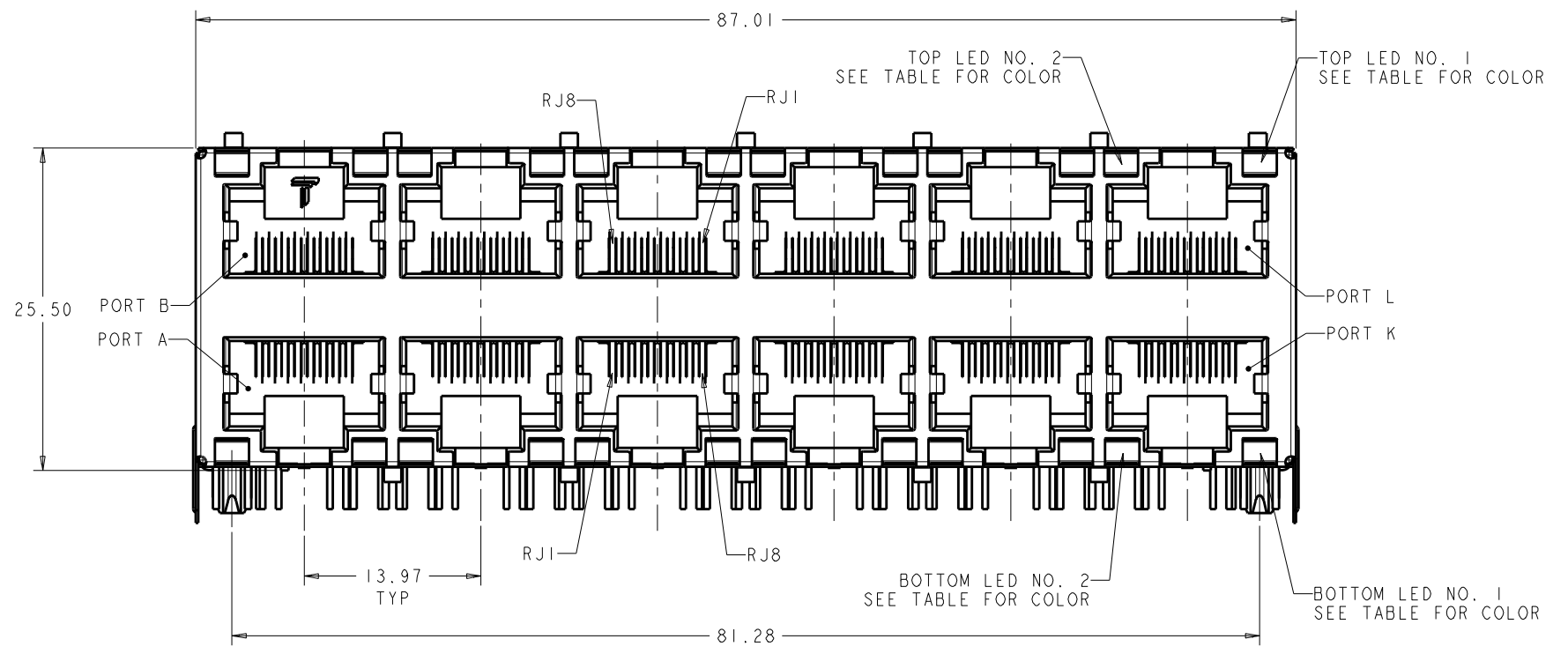
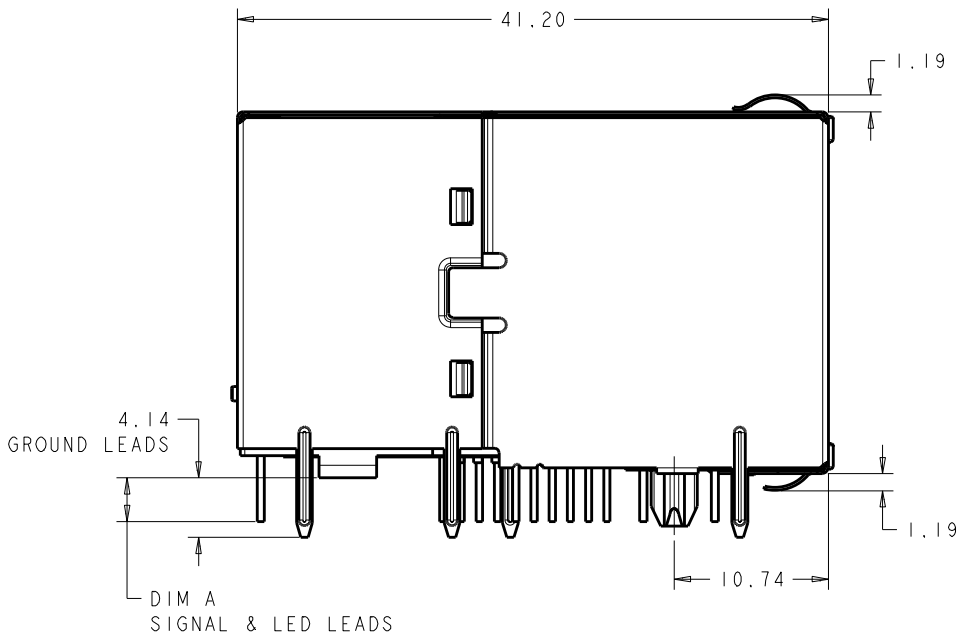
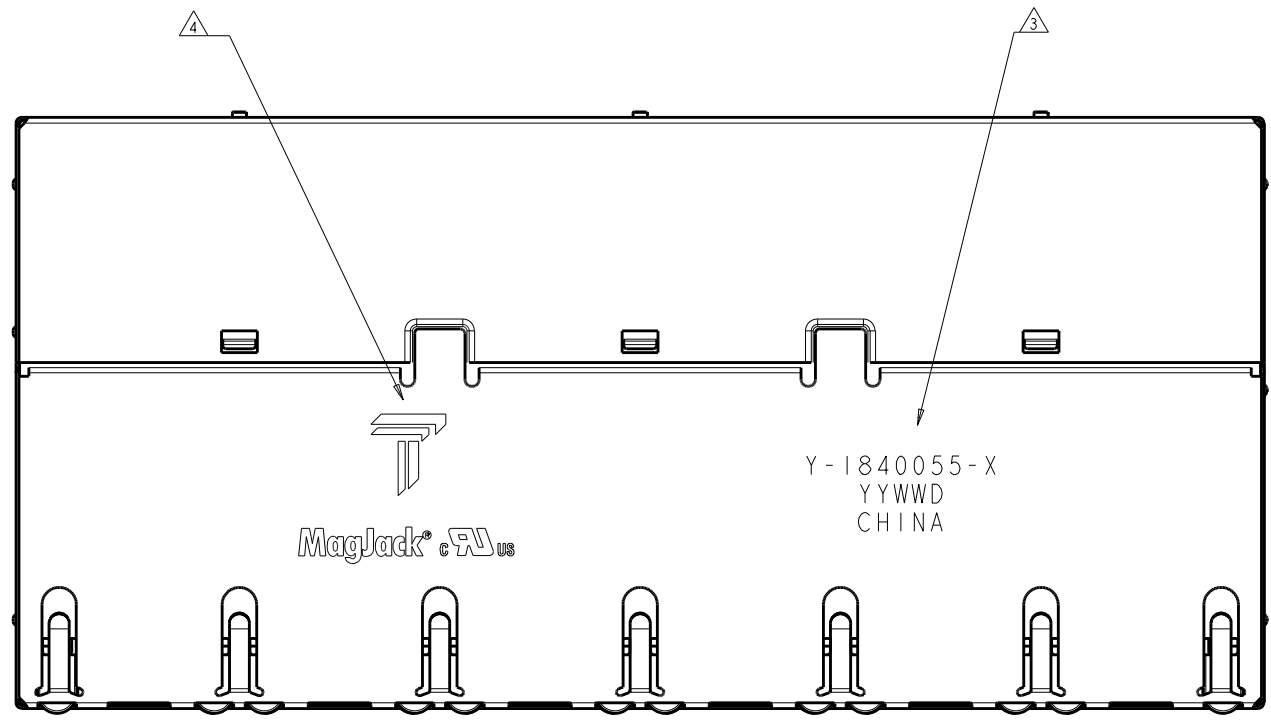
C1 = 1000pF, 2kV DECOUPLING CAPACITOR
 C2 - C3 = 10nF, 50V CAPACITOR
 R1-R4 = 75 Ω , 1/16 W, RESISTORS

1. MATERIALS:
 PLASTIC HOUSING: BLACK, THERMOPLASTIC FLAMMABILITY RATING UL 94V-0
 SHIELD: BRASS, PREPLATED WITH 0.76 μ m MIN SEMI-BRIGHT NICKEL,
 POST DIPPED WITH 2.54 μ m MIN SAC SOLDER OR PURE TIN SOLDER DIP
 ON SOLDER TAILS,
 CONTACTS: PHOSPHOR BRONZE, 1.27 μ m MIN OVERALL NICKEL UNDERPLATE
 WITH 1.27 μ m MIN GOLD OR WITH SELECT 0.05 μ m MIN GOLD OVER 0.76 μ m
 MIN PALLADIUM-NICKEL AT MATING INTERFACE AND 2.54 μ m MIN MATTE
 TIN ON SOLDER TAILS,
 LED: DIFFUSED EPOXY LENS, CARBON STEEL LEAD FRAME TAILS OF LED
 ARE PREPLATED WITH 2.03 μ m MIN SILVER OVER 1.02 μ m MIN NICKEL
 UNDERPLATE OVER 1.02 μ m MIN COPPER UNDERPLATE. POST-PLATED WITH
 2.54 μ m MIN MATTE TIN AND/OR SAC SOLDER DIP OR PURE TIN SOLDER DIP
- Δ 2 MAGNETICS:
 APPLICATION: 10/100/1000 BASE-T,
 IMPEDANCE: 100 OHMS
 TURNS RATIO (CHIP:CABLE): 1:1 ALL FOUR PAIRS
 OPEN CIRCUIT INDUCTANCE (OCL): 350 μ H MIN @100kHz, 0.1VRMS,
 8mA DC BIAS FROM 0°C TO 70°C, ALL FOUR PAIRS.
 ALL FOUR PAIRS BI-DIRECTIONAL
 PERFORMANCE @25°C:
 INSERTION LOSS (IL): 1.1dB MAX FROM 1.0MHz TO 100MHz
 RETURN LOSS (RL): 18dB MIN FROM 1.0MHz TO 40MHz
 12-20LOG(f/80)dB MIN FROM 40.1MHz TO 100MHz
 CROSSTALK ATTENUATION: 35dB MIN FROM 1.0MHz TO 40MHz
 33-20LOG(f/50)dB MIN FROM 40.1MHz TO 100MHz
 COMMON MODE REJECTION RATIO (CMRR):
 30dB MIN FROM 1.0MHz TO 100MHz
 ISOLATION VOLTAGE: 2250VDC (MAX) FOR 60 SECONDS WITH A RISE TIME OF 500V/SEC
 AND WITH ALL PORTS CONNECTED.
- Δ 3 PART NUMBER, DATE CODE AND COUNTRY OF ORIGIN LOCATED IN APPROXIMATE AREA SHOWN
 DATE CODE: YYWW WHERE "YY" IS YEAR, "WW" IS WORK WEEK, "D" IS DAY OF WEEK,
 WITH SUNDAY = 1
- Δ 4 TRP CONNECTOR LOGO AND AGENCY APPROVAL LOGO ARE LOCATED
 IN APPROXIMATE AREA SHOWN.
5. OPERATING TEMP: FROM 0°C TO 70°C.
6. RJ45 CAVITY CONFORMS TO FCC RULES AND REGULATION PART 68 SUBPART F.
- Δ 7 INDICATED MAGNETIC CONNECTIONS ARE SYMMETRICAL AND SUPPORT AUTO-MDI/MDIX.
- Δ 8 DATUM AND BASIC DIMENSION ESTABLISHED BY CUSTOMER.
- Δ 9 DIMENSION ESTABLISHED BY CUSTOMER, BUT MAY NOT BE
 GREATER THAN 5.08mm.
- Δ 10 LEDS ARE DRIVEN WITH CONSTANT CURRENT AT APPROX 20mA
 LED COLOR: DOMINANT WAVELENGTH (λ D): GREEN 568 nm TYP. @ IF=20mA
 FORWARD VOLTAGE (VF): GREEN 2.2V TYP. @ IF=20mA
 DOMINANT WAVELENGTH (λ D): YELLOW 588 nm TYP. @ IF=20mA
 FORWARD VOLTAGE (VF): YELLOW 2.1V TYP. @ IF=20mA
11. THESE PARTS ARE RECOMMENDED FOR WAVE SOLDERING PROCESS, PEAK TEMPERATURE 260°C,
 10 SECONDS MAX.

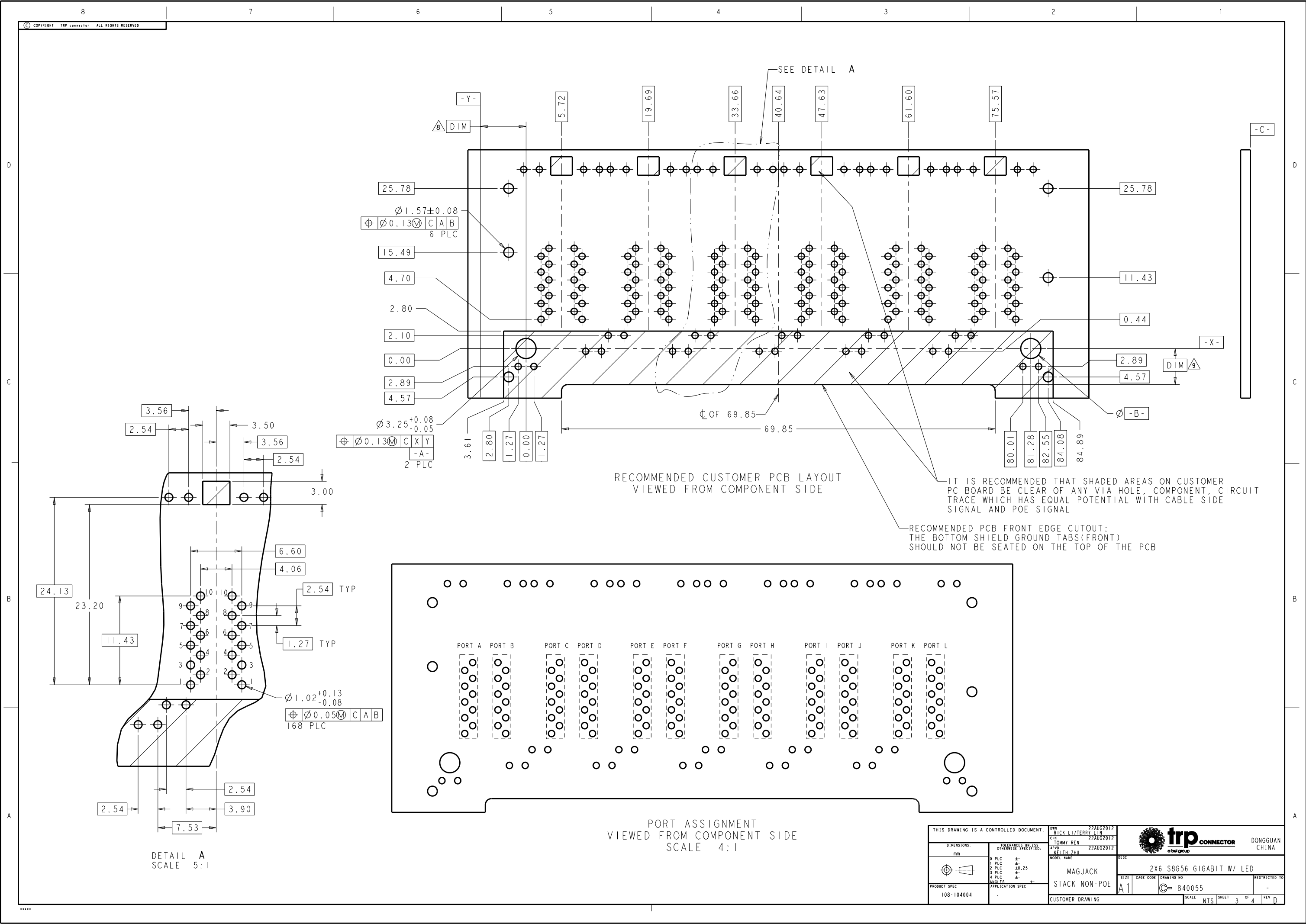
3.04	GREEN/YELLOW	GREEN/YELLOW	GREEN/YELLOW	GREEN/YELLOW	9-1840055-4
2.79	GREEN/YELLOW	GREEN/YELLOW	GREEN/YELLOW	GREEN/YELLOW	1-1840055-4
DIM A	BOTTOM LED NO. 2	BOTTOM LED NO. 1	TOP LED NO. 2	TOP LED NO. 1	PART NO.

THIS DRAWING IS A CONTROLLED DOCUMENT.

DIMENSIONS: mm 	TOLERANCES UNLESS OTHERWISE SPECIFIED: 0 PLC ± 1 PLC ± 2 PLC ±0.25 3 PLC ± 4 PLC ± ANGLES ±	22AUG2012 RICK LI/TERRY LIN 22AUG2012 TOMMY REN 22AUG2012 KELTH ZHU	DONGGUAN CHINA
PRODUCT SPEC 108-104004	APPLICATION SPEC -	MODEL NAME MAGJACK STACK NON-POE	2X6 S8G56 GIGABIT W/ LED SIZE CAGE CODE DRAWING NO A1 1840055 CUSTOMER DRAWING SCALE NTS SHEET 1 OF 4 REV D



THIS DRAWING IS A CONTROLLED DOCUMENT.		DWG: RICK LI/TERRY LIN 22AUG2012 CHK: TOMMY REN 22AUG2012 APVD: KEITH ZHU 22AUG2012	trp CONNECTOR DONGGUAN CHINA
DIMENSIONS: mm	TOLERANCES UNLESS OTHERWISE SPECIFIED: 0 PLC ± 1 PLC ± 2 PLC ±0.25 3 PLC ± 4 PLC ± ANGLES ±	MODEL NAME: MAGJACK PRODUCT SPEC: 108-104004 APPLICATION SPEC:	
CUSTOMER DRAWING		SCALE: NTS	SHEET 2 OF 4



RECOMMENDED CUSTOMER PCB LAYOUT
VIEWED FROM COMPONENT SIDE

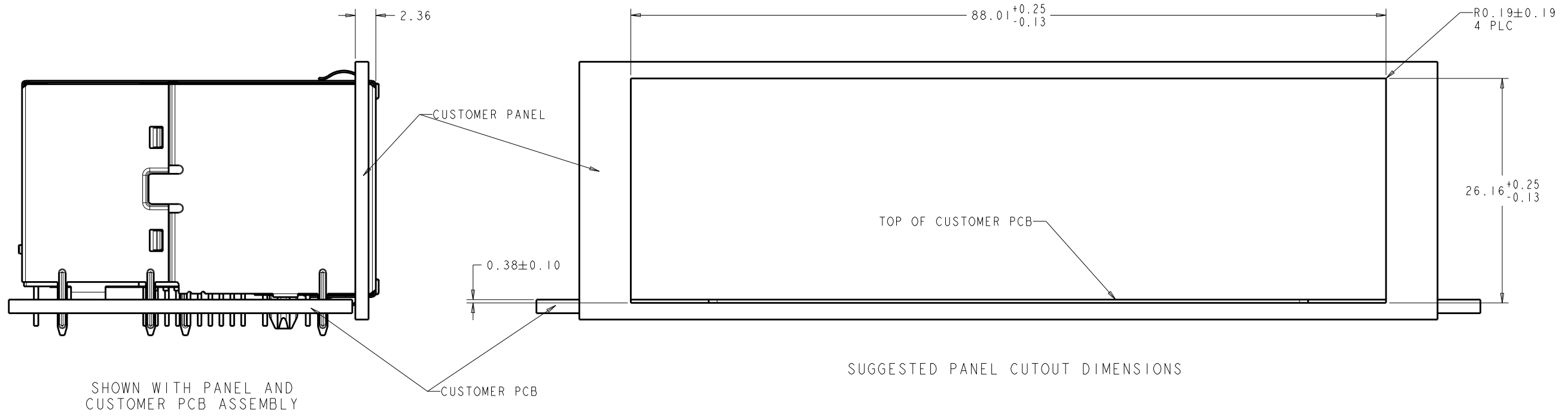
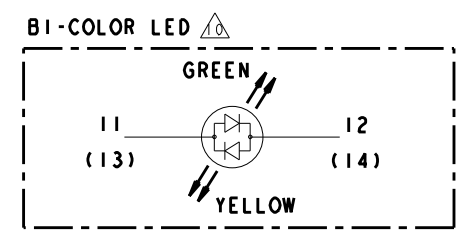
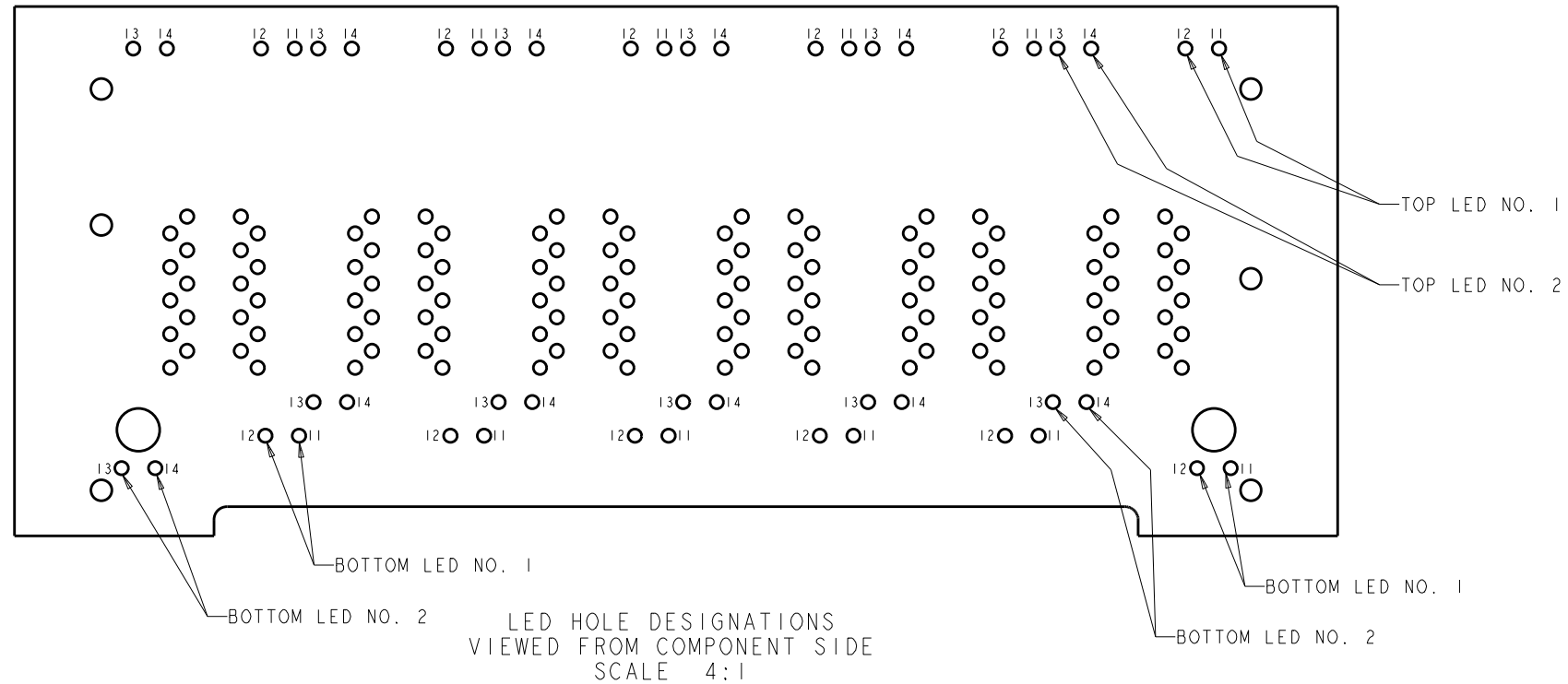
IT IS RECOMMENDED THAT SHADED AREAS ON CUSTOMER PCB BOARD BE CLEAR OF ANY VIA HOLE, COMPONENT, CIRCUIT TRACE WHICH HAS EQUAL POTENTIAL WITH CABLE SIDE SIGNAL AND POE SIGNAL

RECOMMENDED PCB FRONT EDGE CUTOUT:
THE BOTTOM SHIELD GROUND TABS(FRONT) SHOULD NOT BE SEATED ON THE TOP OF THE PCB

PORT ASSIGNMENT
VIEWED FROM COMPONENT SIDE
SCALE 4:1

DETAIL A
SCALE 5:1

THIS DRAWING IS A CONTROLLED DOCUMENT.		DWG: RICK LI/TERRY LIN 22AUG2012 CHK: TOMMY REN 22AUG2012 APVD: KELTH ZHU 22AUG2012		DONGGUAN CHINA
DIMENSIONS: mm TOLERANCES UNLESS OTHERWISE SPECIFIED: 0 PLC ± 1 PLC ± 2 PLC ±0.25 3 PLC ± 4 PLC ± ANGLES ±		MODEL NAME: MAGJACK PART NO: 2X6 S8G56 GIGABIT W/ LED		
PRODUCT SPEC: 108-104004		APPLICATION SPEC:		SIZE: A1 CAGE CODE: 1840055 DRAWING NO: 108-104004
CUSTOMER DRAWING		SCALE: NTS		SHEET 3 OF 4 REV D



THIS DRAWING IS A CONTROLLED DOCUMENT.		DWN: 22AUG2012 RICK LI/TERRY LIN CHK: 22AUG2012 TOMMY REN APVD: 22AUG2012 KEITH ZHU	DONGGUAN CHINA
DIMENSIONS: mm	TOLERANCES UNLESS OTHERWISE SPECIFIED: 0 PLC ± 1 PLC ± 2 PLC ±0.25 3 PLC ± 4 PLC ± ANGLES ±	MODEL NAME: MAGJACK DESC: 2X6 S8G56 GIGABIT W/ LED	
PRODUCT SPEC: 108-104004	APPLICATION SPEC:	SIZE: A1 CAGE CODE: 1840055 DRAWING NO: 1840055	RESTRICTED TO:
CUSTOMER DRAWING		SCALE: NTS	SHEET 4 OF 4 REV D