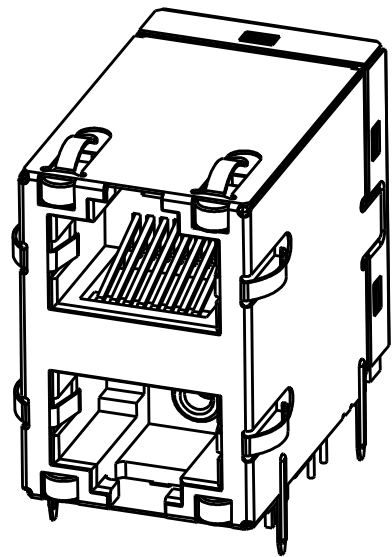


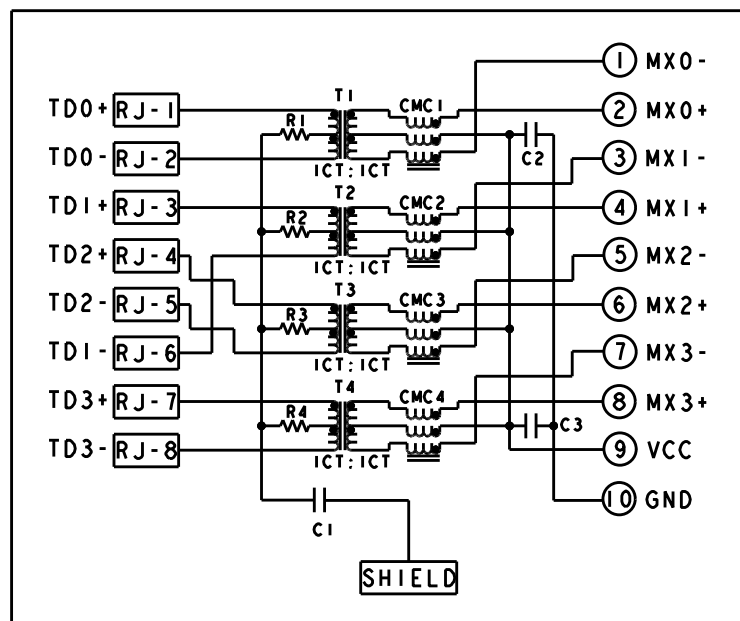
THIS DRAWING AND THE SUBJECT MATTER SHOWN THEREON ARE CONFIDENTIAL AND THE PROPERTY OF BEL/STEWART/TRP CONNECTOR AND SHALL NOT BE REPRODUCED, COPIED, OR USED IN ANY MANNER WITHOUT THE WRITTEN CONSENT OF TRP CONNECTOR.

PRODUCT MAY BE PROTECTED BY ONE OR MORE OF THE FOLLOWING US PATENTS:
 5736910 5939955 6425781 6428361 6554638 6840817 7123117
 7429195 7717749 7808751 6217391 6149050 7924130

REVISIONS				
REV	DATE	BY	APPV	DESCRIPTION
F	09JAN2015	CZ	TY	EC-1411035 COMPANY LOGO CHANG



S8G56G GIGABIT CIRCUIT
 TOP AND BOTTOM PORTS



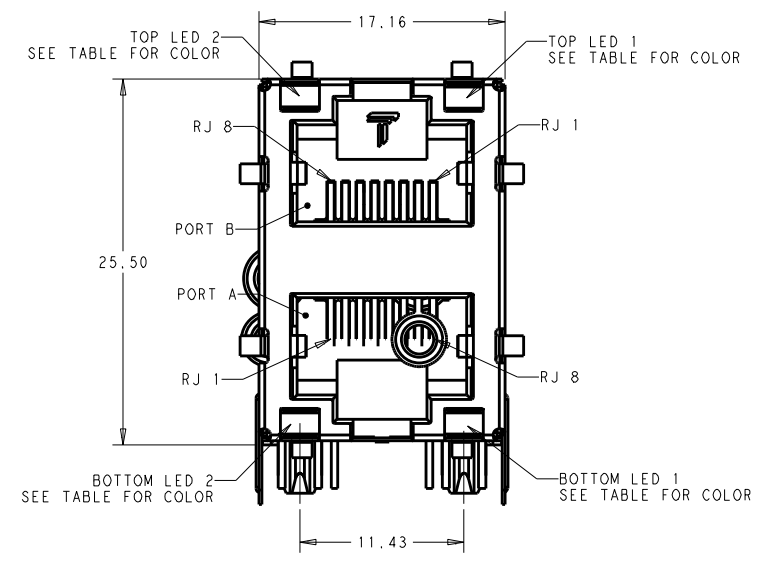
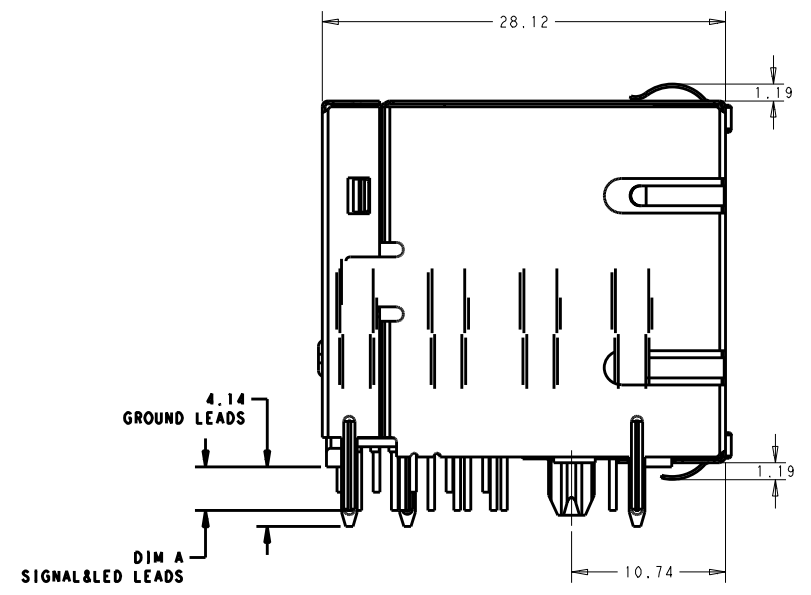
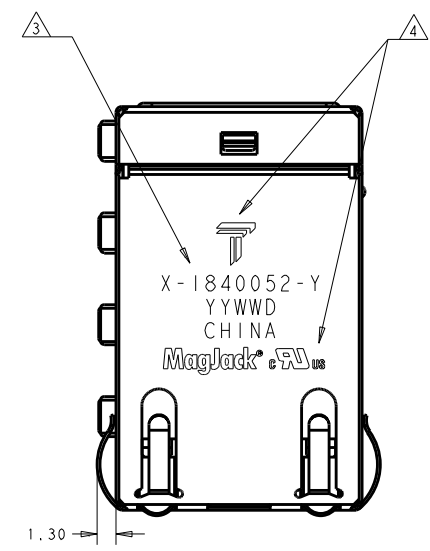
C1 = 1000pF, 2kV CAPACITOR
 C2 - C3 = 10nF, 50V CAPACITORS
 R1-R4 = 75 Ohms, RESISTORS

- MATERIALS:**
 PLASTIC HOUSING: BLACK, THERMOPLASTIC FLAMMABILITY RATING UL 94V-0
 SHIELD: BRASS, PREPLATED WITH 0.76um MIN SEMI-BRIGHT NICKEL,
 POST DIPPED WITH 2.54um MIN SAC SOLDER OR PURE TIN ON SOLDER TAILS.
 CONTACTS: PHOSPHOR BRONZE, 1.27um MIN OVERALL NICKEL
 UNDERPLATE WITH SELECT 1.27um MIN GOLD OR WITH SELECT 0.05um
 MIN GOLD OVER 0.76um MIN PALLADIUM-NICKEL AT MATING INTERFACE
 AND 2.54um MIN MATTE TIN ON SOLDER TAILS.
 LED: DIFFUSED EPOXY LENS, CARBON STEEL LEAD FRAME TAILS OF LED
 ARE PREPLATED WITH 2.03um MIN SILVER OVER 1.02um MIN NICKEL
 UNDERPLATE OVER 1.02um MIN COPPER UNDERPLATE. POST-PLATED WITH
 2.54um MIN MATTE TIN AND/OR SAC SOLDER DIP OR PURE TIN SOLDER DIP
- MAGNETICS**
 APPLICATION: 10/100/1000 BASE-T
 IMPEDANCE: 100 OHMS
 TURNS RATIO (CHIP:CABLE): 1:1 ALL FOUR PAIRS
 OPEN CIRCUIT INDUCTANCE (OCL): 350uH MIN @100kHz, 0.1VRMS,
 8mA DC BIAS FROM 0°C TO 70°C, ALL FOUR PAIRS
 ALL FOUR PAIRS BI-DIRECTIONAL
 PERFORMANCE @ 25°C:
 INSERTION LOSS (IL): 1.1dB MAX FROM 0.5MHz TO 100MHz
 RETURN LOSS (RL): 18dB MIN FROM 0.5MHz TO 40MHz
 12-20LOG(f/80)dB MIN FROM 40.1MHz TO 100MHz
 CROSSTALK ATTENUATION: 35dB MIN FROM 0.5MHz TO 40MHz
 33-20LOG(f/50)dB MIN FROM 40.1MHz TO 100MHz
 COMMON MODE REJECTION RATIO (CMRR): 30dB MIN FROM 0.5MHz TO 100MHz
 ISOLATION VOLTAGE: 2250VDC (MAX) FOR 60 SECONDS WITH A RISE TIME OF 500V/SEC AND
 WITH ALL PORTS CONNECTED
- PART NUMBER, DATE CODE AND COUNTRY OF ORIGIN ARE LOCATED
 IN APPROXIMATE AREA SHOWN. DATE CODE: "YY" IS YEAR, "WW" IS
 WORK WEEK, "D" IS DAY OF WEEK, WITH SUNDAY=1
- TRP LOGO AND AGENCY APPROVAL LOGO ARE
 LOCATED IN APPROXIMATE AREA SHOWN.
- OPERATING TEMP: FROM 0°C TO +70°C.
- RJ45 CAVITY CONFORMS TO FCC RULES AND REGULATION PART 68 SUBPART F.
- INDICATED MAGNETIC CONNECTIONS ARE SYMMETRICAL AND
 SUPPORT AUTO-MDI/MDIX.
- DATUM AND BASIC DIMENSION ESTABLISHED BY CUSTOMER.
- BASIC DIMENSION ESTABLISHED BY CUSTOMER, BUT MAY NOT BE
 GREATER THAN 5.08mm.
- LEDES ARE DRIVEN WITH CONSTANT CURRENT AT APPROX 20mA
 LED COLOR: DOMINANT WAVELENGTH (λD): GREEN 568 nm TYP. @ IF=20mA
 FORWARD VOLTAGE (VF): GREEN 2.2V TYP. @ IF=20mA
 DOMINANT WAVELENGTH (λD): YELLOW 588 nm TYP. @ IF=20mA
 FORWARD VOLTAGE (VF): YELLOW 2.1V TYP. @ IF=20mA
 DOMINANT WAVELENGTH (λD): ORANGE 605 nm TYP. @ IF=20mA
 FORWARD VOLTAGE (VF): ORANGE 2.1V TYP. @ IF=20mA
 DOMINANT WAVELENGTH (λD): ULTRA LOW WAVELENGTH GREEN (ULWG) 525 nm TYP. @ IF=20mA
 FORWARD VOLTAGE (VF): ULTRA LOW WAVELENGTH GREEN (ULWG) 2.8V TYP. @ IF=20mA
- THE PARTS ARE RECOMMENDED FOR WAVE SOLDERING PROCESS.
 PEAK TEMPERATURE 260°C MAX, 10 SECONDS MAX.

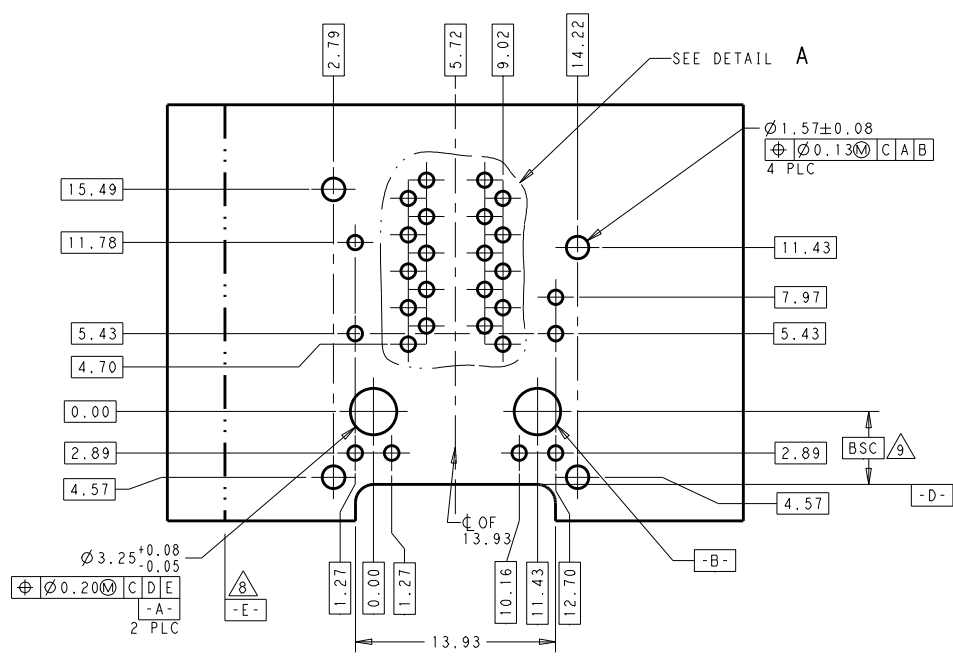
4.06	ULWG/YELLOW	ULWG/YELLOW	ULWG/YELLOW	ULWG/YELLOW	3-1840052-9
3.56	GREEN/YELLOW	GREEN	GREEN	GREEN/YELLOW	1-1840052-9
3.56	GREEN	GREEN	GREEN	GREEN	1-1840052-1
3.04	GREEN	GREEN/ORANGE	GREEN	GREEN/ORANGE	1840052-6
3.04	GREEN/YELLOW	GREEN/YELLOW	GREEN/YELLOW	GREEN/YELLOW	1840052-4
DIM A	BOTTOM LED 2	BOTTOM LED 1	TOP LED 2	TOP LED 1	PART NUMBER

THIS DRAWING IS A CONTROLLED DOCUMENT.

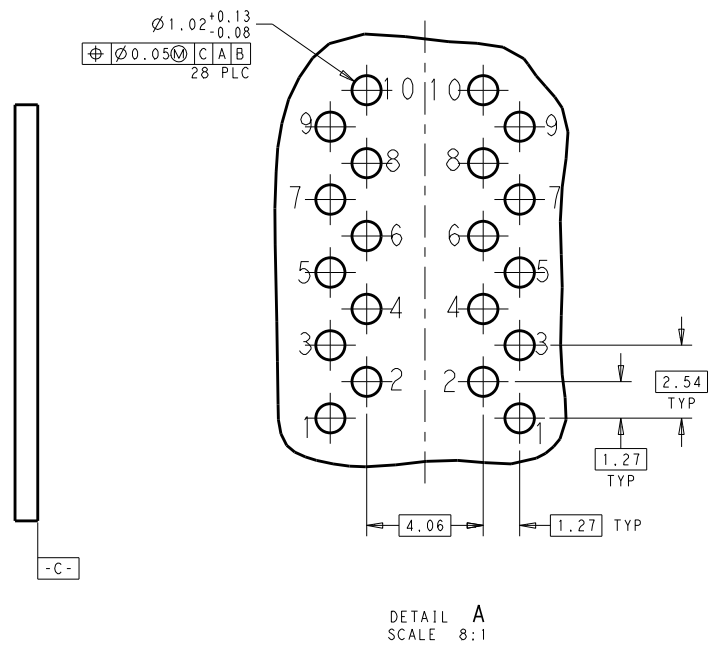
DIMENSIONS: mm 		TOLERANCES UNLESS OTHERWISE SPECIFIED: 0 PLC ±0.25 1 PLC ±0.25 2 PLC ±0.25 3 PLC ± 4 PLC ± ANGLES ±		TRP CONNECTOR DONGGUAN CHINA MODEL NAME: 2X1 S8G56G GIGABIT W/ LED MAGJACK STACK Non-PoE CUSTOMER DRAWING	
PRODUCT SPEC 108-104004	APPLICATION SPEC -	DRAWING NO A1	SCALE NTS	SHEET 1 OF 4	REV F



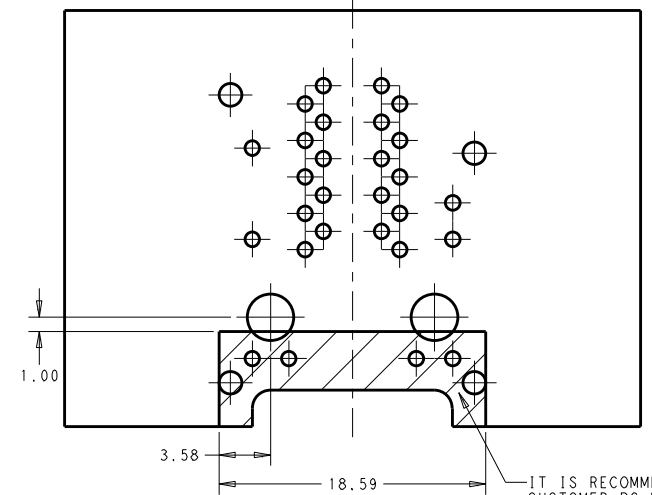
THIS DRAWING IS A CONTROLLED DOCUMENT.		DWN: 07AUG2012 TOMMY REN; TERRY LIN		trp CONNECTOR DONGGUAN CHINA
DIMENSIONS: mm		CHK: 07AUG2012 TONY YUAN		
		TOLERANCES UNLESS OTHERWISE SPECIFIED:		APVD: 07AUG2012 KELTH ZHU
PRODUCT SPEC: 108-104004		APPLICATION SPEC: -		MODEL NAME: MAGJACK DESC: 2X1 S8G56G GIGABIT W/ LED SIZE: A1 CAGE CODE: - DRAWING NO: 1840052 RESTRICTED TO: - CUSTOMER DRAWING: -
SCALE: NTS				SHEET 2 OF 4
				REV F



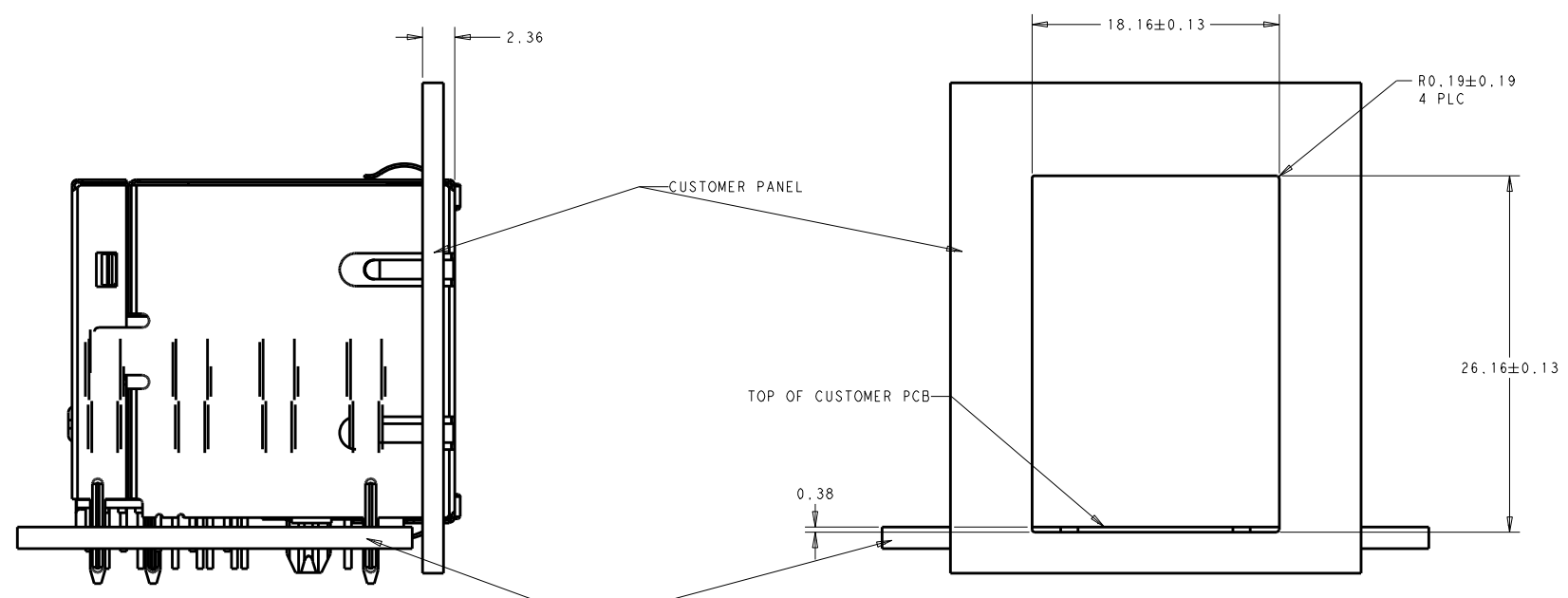
RECOMMENDED PCB LAYOUT
 COMPONENT SIDE VIEW



DETAIL A
 SCALE 8:1



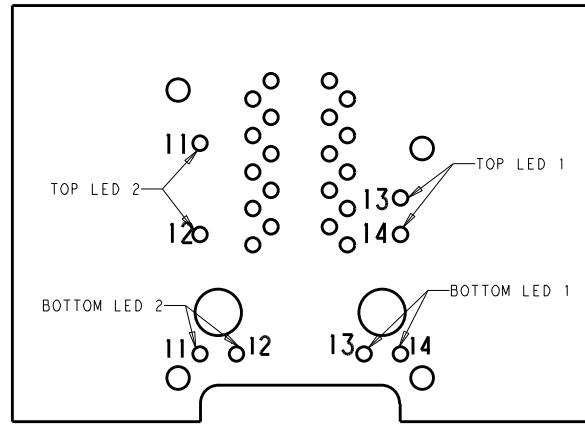
IT IS RECOMMENDED THAT SHADED AREA OF CUSTOMER PC BOARD BE CLEAR OF ANY VIA HOLE, COMPONENT AND CIRCUIT TRACE



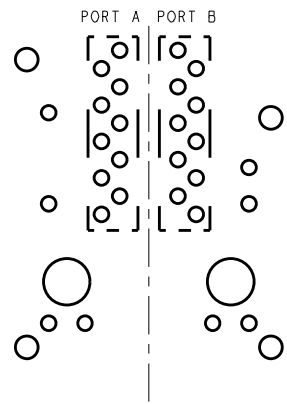
SHOWN WITH PANEL AND
 CUSTOMER PCB ASSEMBLY

SUGGESTED PANEL CUTOUT DIMENSIONS

THIS DRAWING IS A CONTROLLED DOCUMENT.		DWG: 07AUG2012 TOMMY REN;TERRY LIN		DONGGUAN CHINA
DIMENSIONS: mm		CHK: TONY YUAN 07AUG2012 APVD: KEITH ZHU 07AUG2012		
		TOLERANCES UNLESS OTHERWISE SPECIFIED:		MODEL NAME: 2X1 S8G56G GIGABIT W/ LED DESC:
0 PLC ±0.25 1 PLC ±0.25 2 PLC ±0.25 3 PLC ± 4 PLC ±		APPLICATION SPEC:		SIZE: A1 CAGE CODE: 1840052 DRAWING NO: 108-104004 CUSTOMER DRAWING
PRODUCT SPEC: 108-104004		SCALE: NTS		SHEET 3 OF 4 REV F

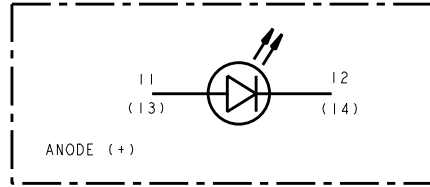


LED HOLE DESIGNATIONS VIEWED FROM COMPONENT SIDE

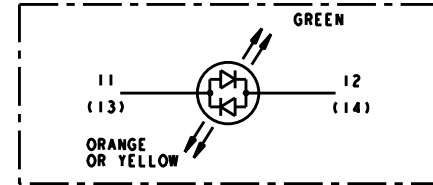


PORT ASSIGNMENT COMPONENT SIDE VIEW

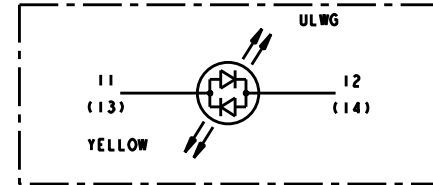
SINGLE COLOR LED


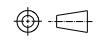


BI-COLOR LED



BI-COLOR LED



THIS DRAWING IS A CONTROLLED DOCUMENT.		DWN: 07AUG2012 TOMMY REN; TERRY LIN		 trp CONNECTOR DONGGUAN CHINA
DIMENSIONS: mm		CHK: 07AUG2012 TONY YUAN		
		TOLERANCES UNLESS OTHERWISE SPECIFIED:		MODEL NAME: 2X1 S8G56G GIGABIT W/ LED DESC:
PRODUCT SPEC: 108-104004		APPLICATION SPEC: -		SIZE: A1 CAGE CODE: - DRAWING NO: 1840052 RESTRICTED TO: -
CUSTOMER DRAWING		SCALE: NTS		SHEET: 4 OF 4 REV: F