

THE INFORMATION CONTAINED HEREIN IS CONSIDERED "PROPRIETARY" TO BEL FUSE INC. AND SHALL NOT BE COPIED, REPRODUCED OR DISCLOSED WITHOUT THE WRITTEN APPROVAL OF BEL FUSE INC.



LED1 POLARITY			LED2 POLARITY		
PIN 7	PIN 8	COLOR	PIN 9	PIN 10	COLOR
-	+	GREEN	-	+	YELLOW

PRELIMINARY

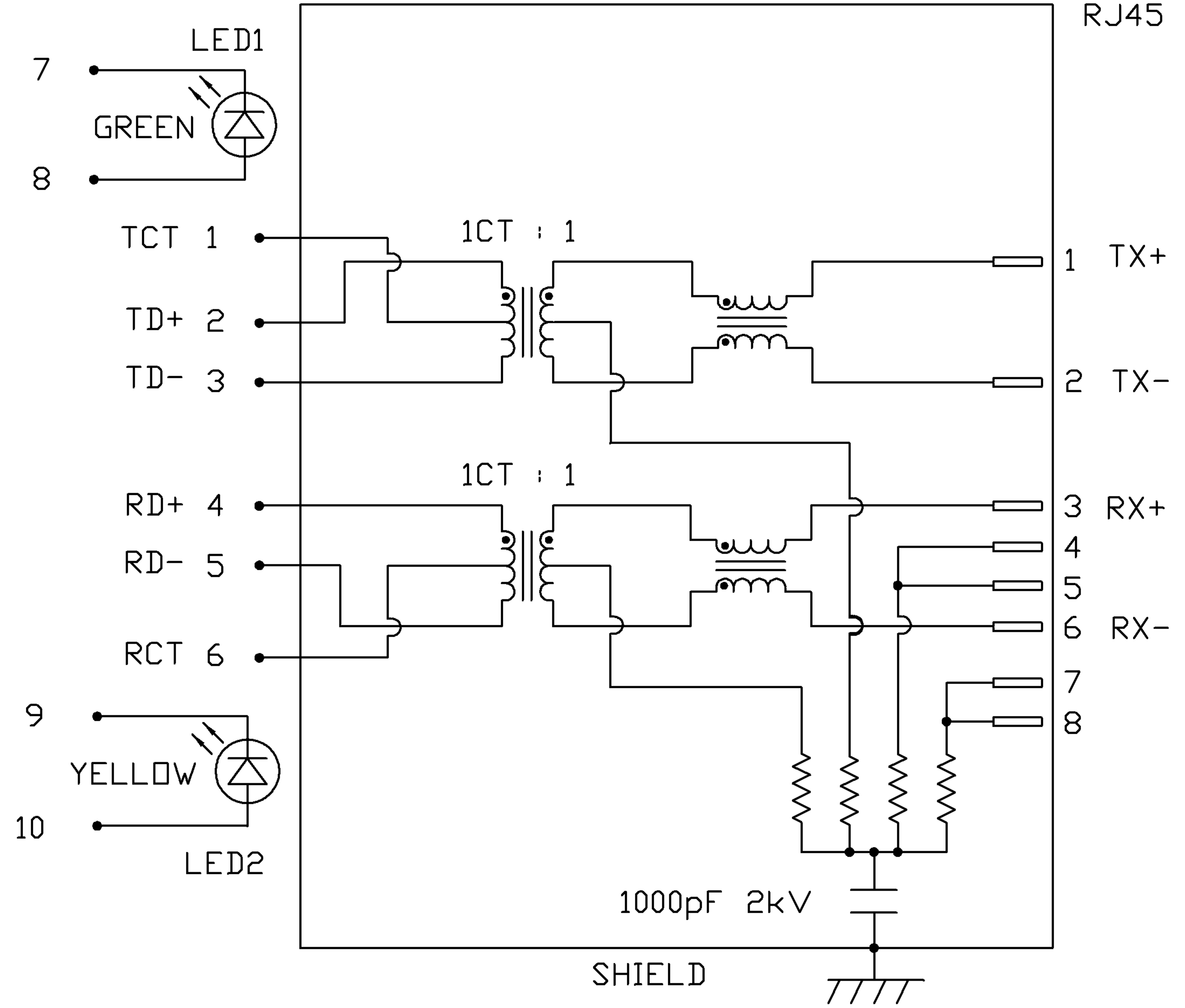
**ELECTRICAL CHARACTERISTICS @ 25°C**

<p>URNS RATIO          TX 1CT : 1          RX 1CT : 1          OCL @ 100kHz/100mVRMS          8mA DC BIAS          INS. LOSS          1MHz TO 100MHz -1.0 dB MAX          RET. LOSS (MIN)          1MHz-30MHz -18 dB          30MHz-60MHz -18+20LOG(F/30MHz) dB          60MHz-80MHz -12 dB          CROSS TALK (TX - RX)          500kHz-1MHz -70 dB MIN          10 MHz -50 dB MIN          30 MHz -45 dB MIN          50 MHz -40 dB MIN          100 MHz -35 dB MIN          CM TO CM REJ          100kHz-1MHz -70 dB MIN          10 MHz -47 dB MIN          30 MHz -42 dB MIN          60 MHz -37 dB MIN          100 MHz -30 dB MIN          CM TO DM REJ          100kHz-1MHz -70 dB MIN          10 MHz -60 dB MIN          30 MHz -50 dB MIN          60 MHz -45 dB MIN          100 MHz -40 dB MIN          HIPOT (Isolation Voltage):          1500 Vrms</p>	<p>350μH MIN.          -1.0 dB MAX          -18 dB          -18+20LOG(F/30MHz) dB          -12 dB          -70 dB MIN          -50 dB MIN          -45 dB MIN          -40 dB MIN          -35 dB MIN          -70 dB MIN          -47 dB MIN          -42 dB MIN          -37 dB MIN          -30 dB MIN          -70 dB MIN          -60 dB MIN          -50 dB MIN          -45 dB MIN          -40 dB MIN          1500 Vrms</p>
---	--

100% OF PRODUCTION TESTED TO COMPLY WITH IEEE 802.3 ISOLATION REQUIREMENTS.

LED 1	VF (FORWARD VOLTAGE)	IF=20mA	GREEN	2.2V TYP.
	λ D (DOMINANT WAVELENGTH)	IF=20mA	GREEN	565nm TYP.
LED 2	VF (FORWARD VOLTAGE)	IF=20mA	YELLOW	2.1V TYP.
	λ D (DOMINANT WAVELENGTH)	IF=20mA	YELLOW	590nm TYP.

**SCHEMATIC**



USB ELECTRICAL:  
 INSULATION RESISTANCE: 1000 MEG Ω (MIN)  
 CONTACT RESISTANCE: 25 MILLI Ω (MAX)  
 DIELECTRIC WITHSTANDING: 750 VAC

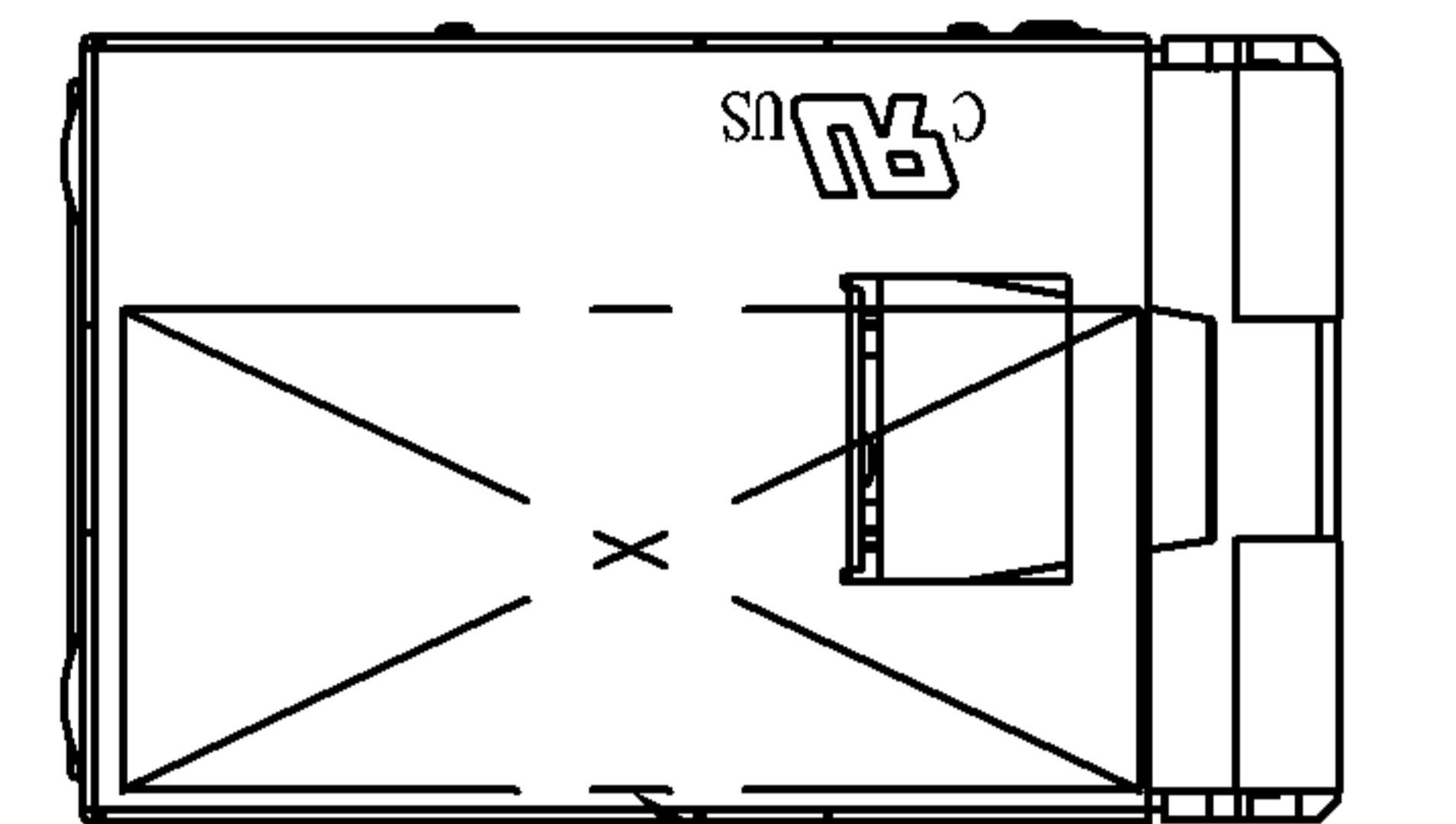
ORIGINATED BY CHOW WANCHUNG	DATE 05-22-08	TITLE MagJack® Combo (4 Cores, MDIX, CM TERMINATION)	PART NO. / DRAWING NO. 08C2-1DX1-06	STANDARD DIM. TOL. IN INCH .X .XX .XXX	[ ] METRIC DIM. AS REFERENCE UNIT : INCH [mm] SCALE : N/A	REV. : PA SIZE : A4 PAGE : 2	
DRAWN BY DENG PING	DATE 05-22-08	FILE NAME 08C2-1DX1-06_PA.DWG					COMPONENTS FOR A CONNECTED PLANET

THE INFORMATION CONTAINED HEREIN IS CONSIDERED "PROPRIETARY" TO BEL FUSE INC. AND SHALL NOT BE COPIED, REPRODUCED OR DISCLOSED WITHOUT THE WRITTEN APPROVAL OF BEL FUSE INC.

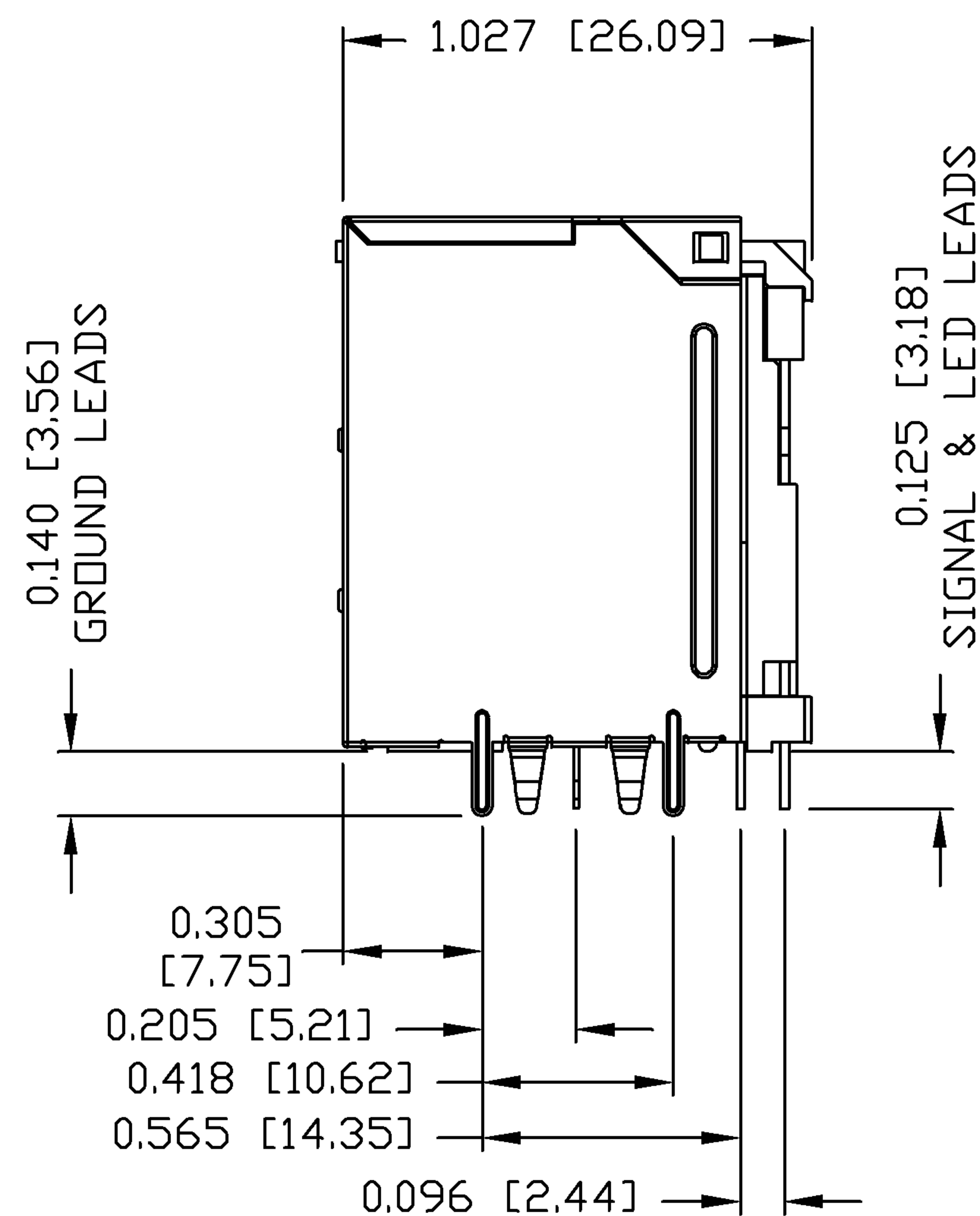
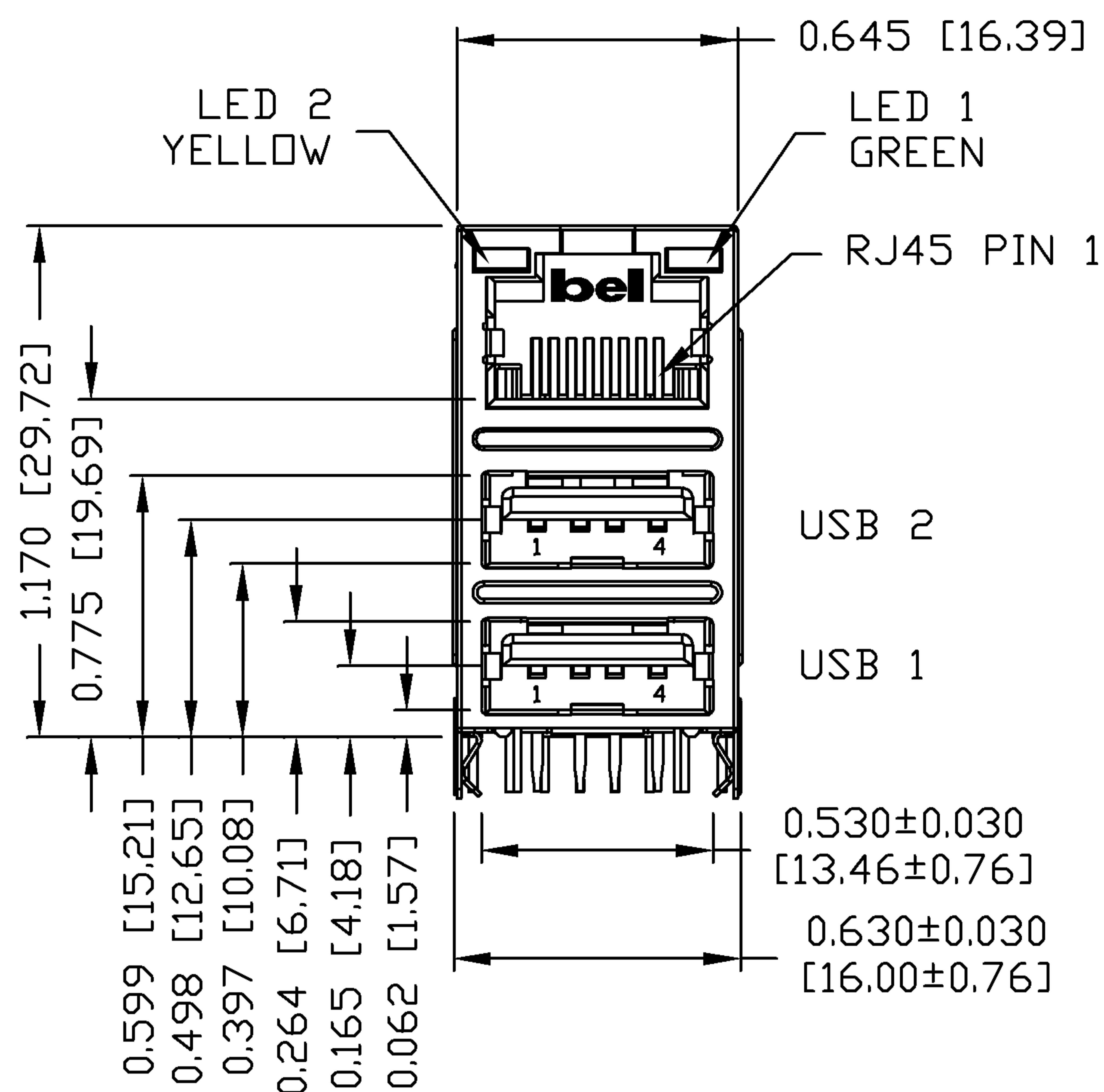
MECHANICAL SPECIFICATION

PRELIMINARY

RoHS  
2002/95/EC



1



ORIGINATED BY ZX HUANG	DATE 05-22-08	TITLE MagJack® Combo (4 Cores, MDIX, CM TERMINATION)	PART NO. / DRAWING NO. 08C2-1DX1-06	STANDARD DIM. TOL. IN INCH	[ ] METRIC DIM. AS REFERENCE
DRAWN BY JOLLY LUO	DATE 05-22-08		FILE NAME 08C2-1DX1-06_PA.DWG	.X .XX .XXX	±0.010

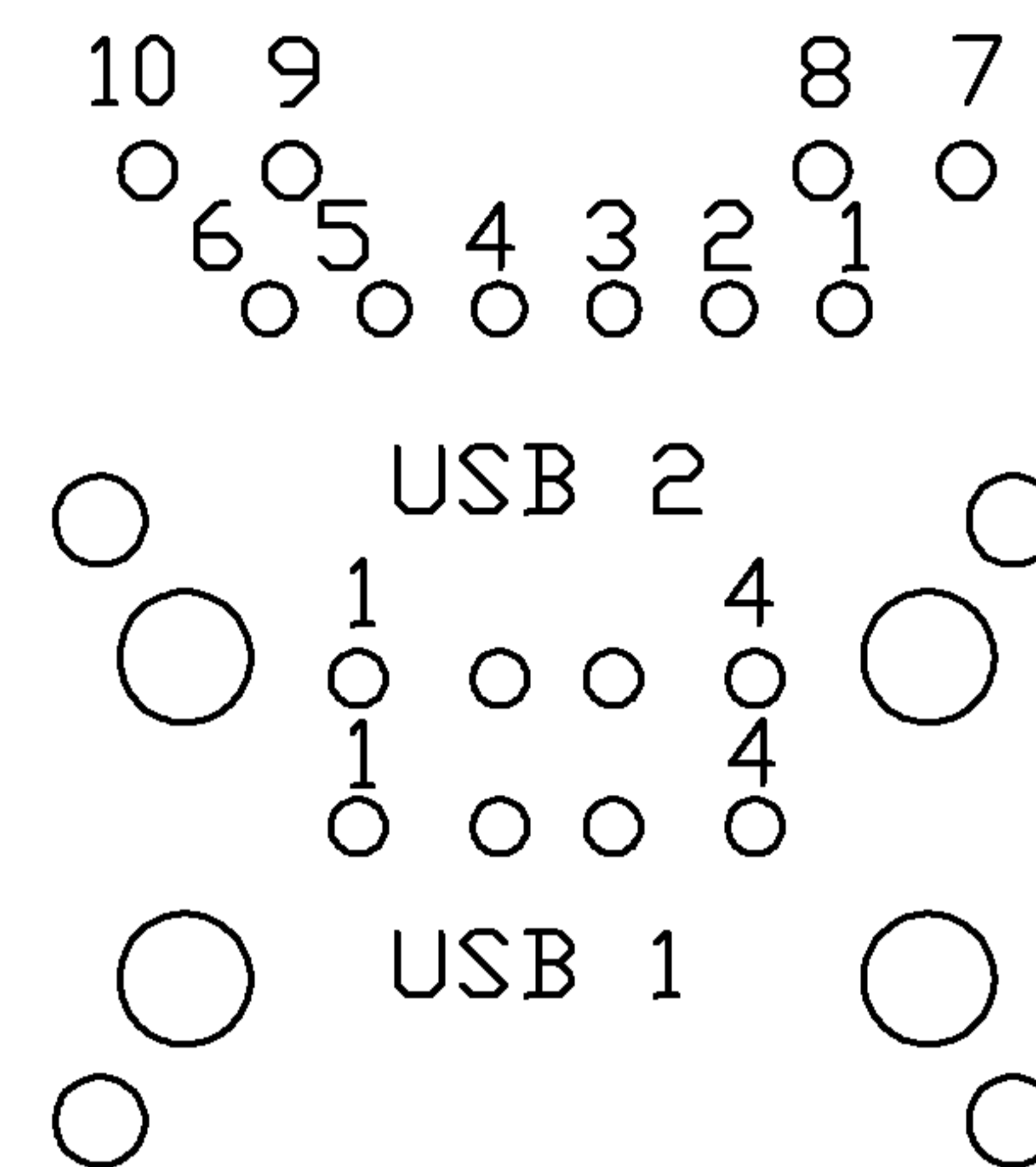
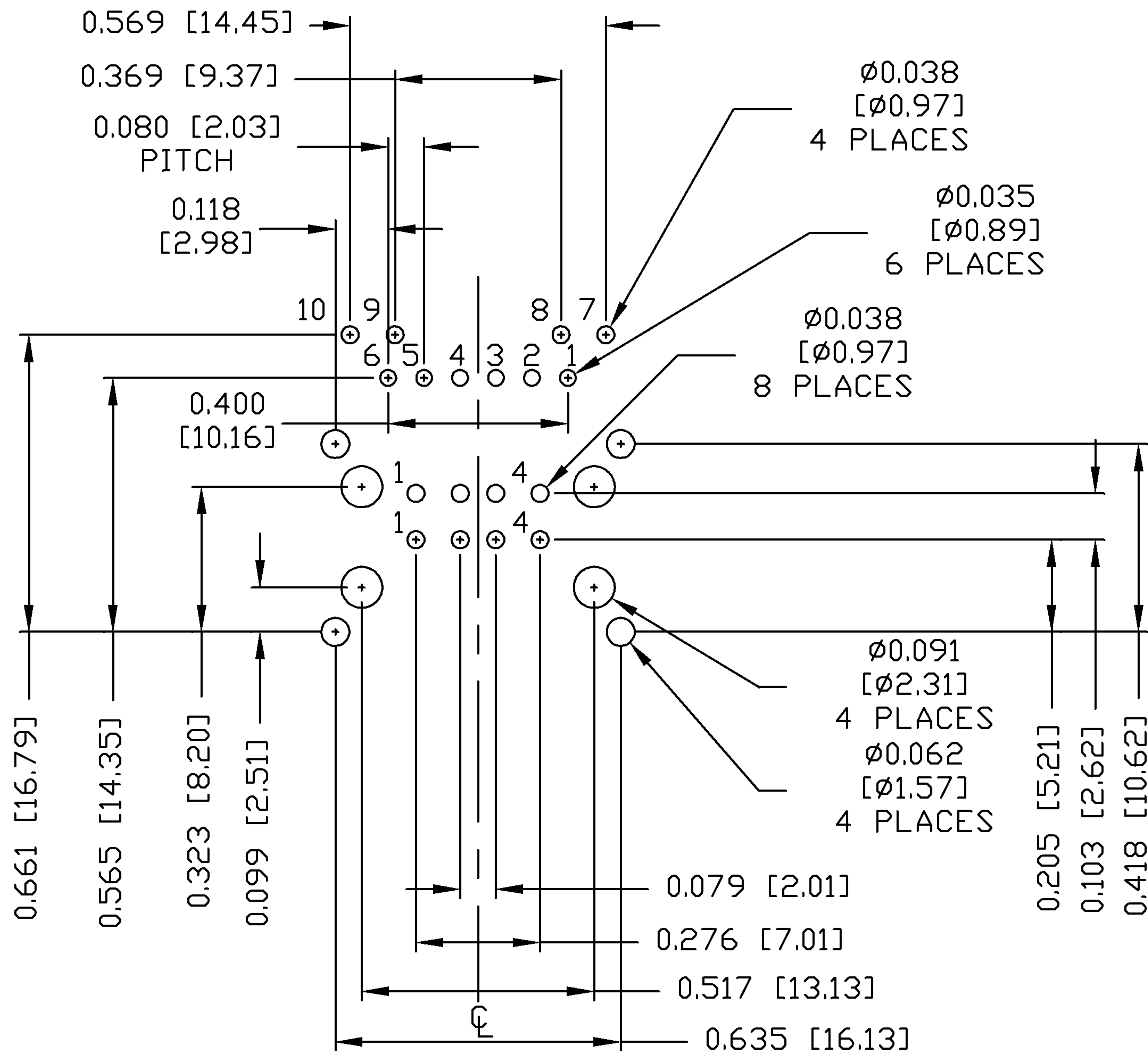


THE INFORMATION CONTAINED HEREIN IS CONSIDERED "PROPRIETARY" TO BEL FUSE INC. AND SHALL NOT BE COPIED, REPRODUCED OR DISCLOSED WITHOUT THE WRITTEN APPROVAL OF BEL FUSE INC.

PRELIMINARY



Recommended PCB footprint  
Component Side



RJ45 MECHANICAL: THERMOPLASTIC PBT OR EQUIVALENT.  
 PLASTIC HOUSING: FLAMMABILITY RATING UL 94V-0  
 CONTACT PLATING: 30 MICRO-INCH HARD GOLD PLATING  
 PINS: TIN-COATED COPPER WIRE, DIA 0.018 INCH.  
 METAL SHIELD: NICKEL PLATED ON COPPER ALLOY.  
 (ALL GROUND LEADS ARE SOLDER DIPPED)

USB MECHANICAL: 35 NEWTONS MAXIMUM  
 MATING FORCE: 10 NEWTONS MINIMUM  
 UNMATING FORCE: PHOSPHOR BRONZE  
 CONTACT: 30 MICRO-INCH GOLD PLATING ON CONTACT  
 AREA AND TIN ON SOLDER TAIL.

US UL RECOGNIZED - FILE #E196366 AND E169987.

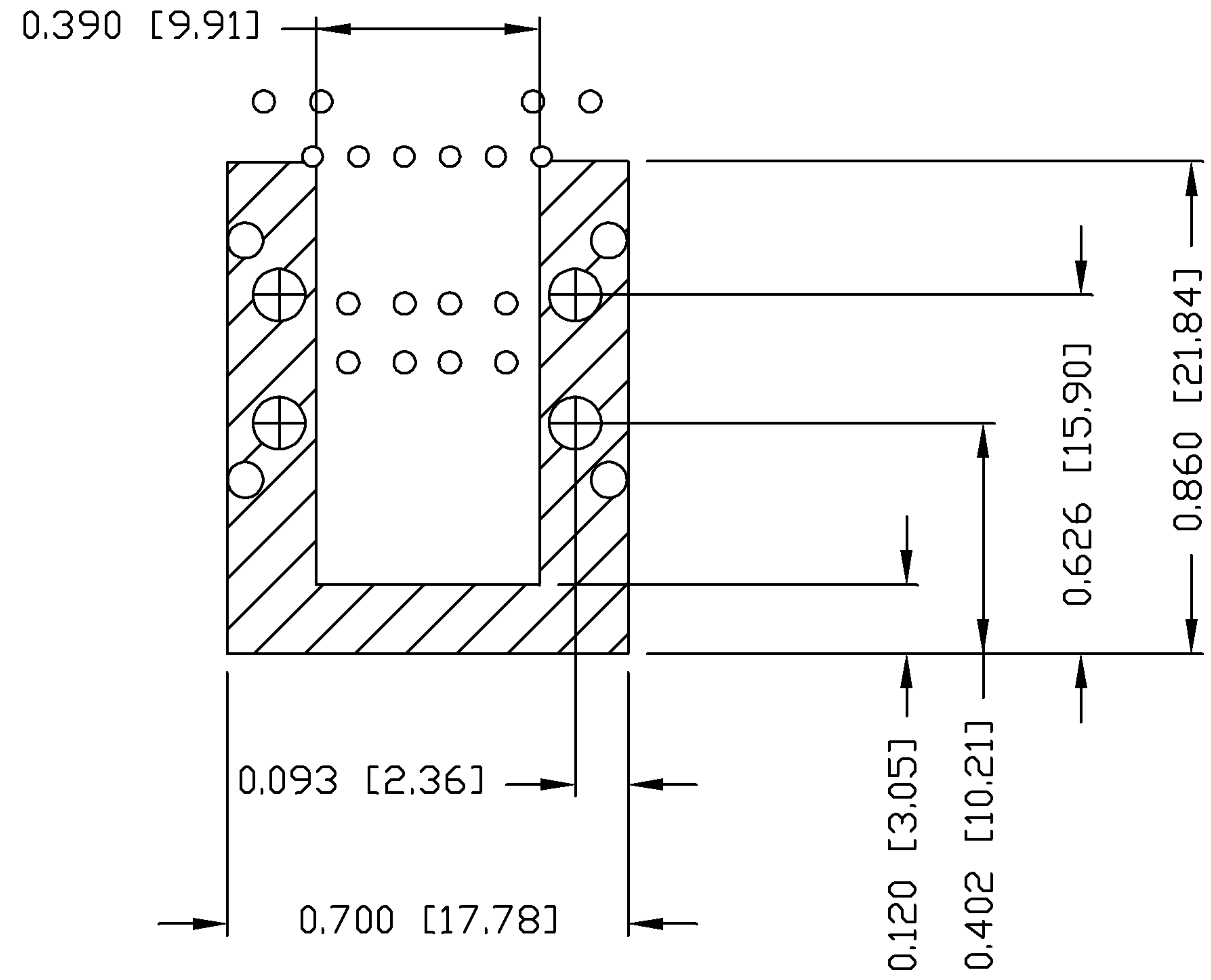
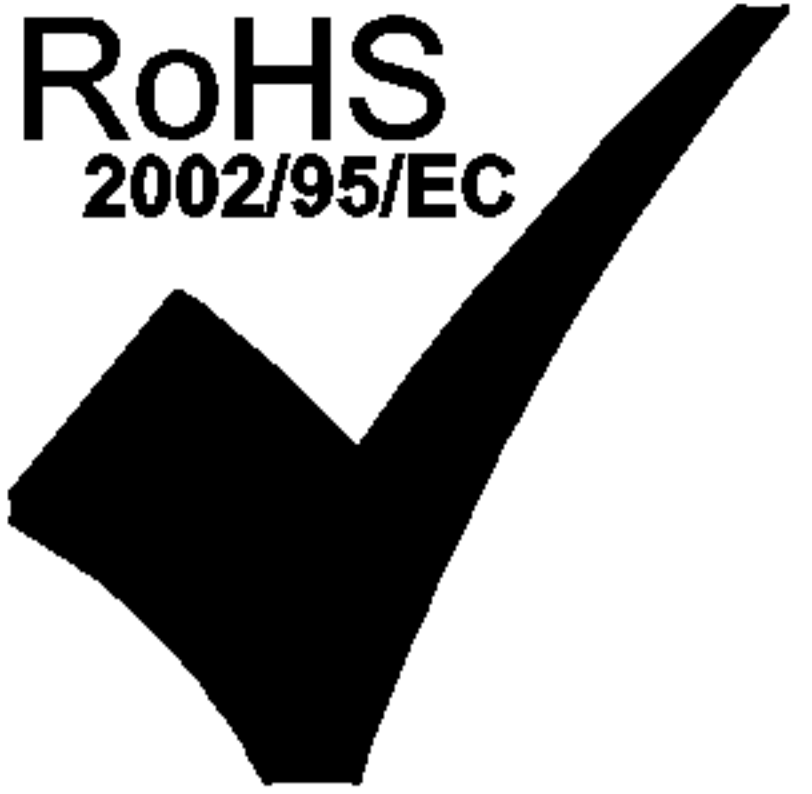
1. MARK PART WITH MFG LOGO, MFG NAME, PART NUMBER, AND DATE CODE.
2. RoHS COMPLIANCE, PER EU DIRECTIVE 2002/95/EC.
3. JACK CAVITY CONFORMS TO FCC RULES AND REGULATIONS.

ORIGINATED BY ZX HUANG	DATE 05-22-08	TITLE MagJack® Combo	PART NO. / DRAWING NO. 08C2-1DX1-06	STANDARD DIM. TOL. IN INCH	[ ] METRIC DIM. AS REFERENCE
DRAWN BY JOLLY LUO	DATE 05-22-08	(4 Cores, MDIX, CM TERMINATION)	FILE NAME 08C2-1DX1-06_PA.DWG	.X .XX .XXX	UNIT : INCH [mm] SCALE : N/A REV. : PA SIZE : A4 PAGE : 4
				±0.004	



THE INFORMATION CONTAINED HEREIN IS CONSIDERED "PROPRIETARY" TO BEL FUSE INC. AND SHALL NOT BE COPIED, REPRODUCED OR DISCLOSED WITHOUT THE WRITTEN APPROVAL OF BEL FUSE INC.

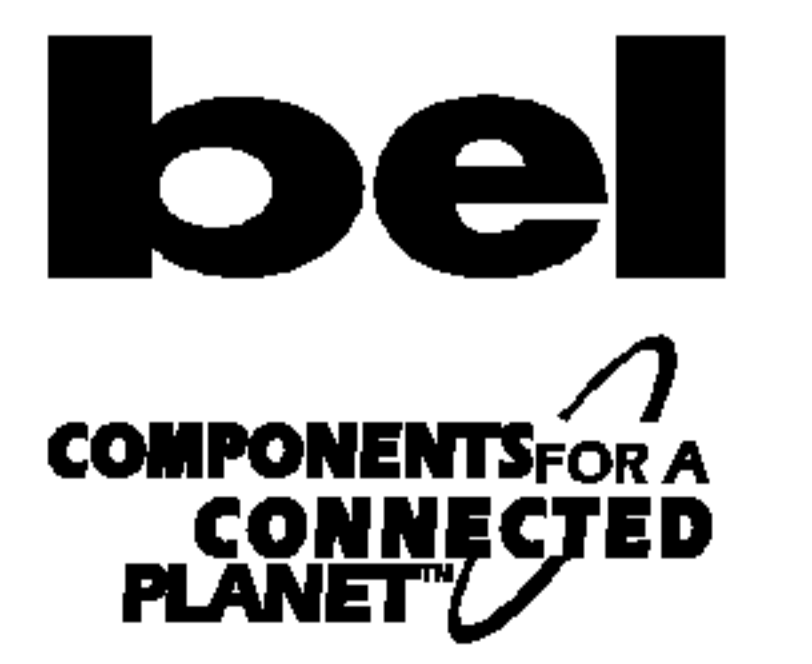
PRELIMINARY



NOTES

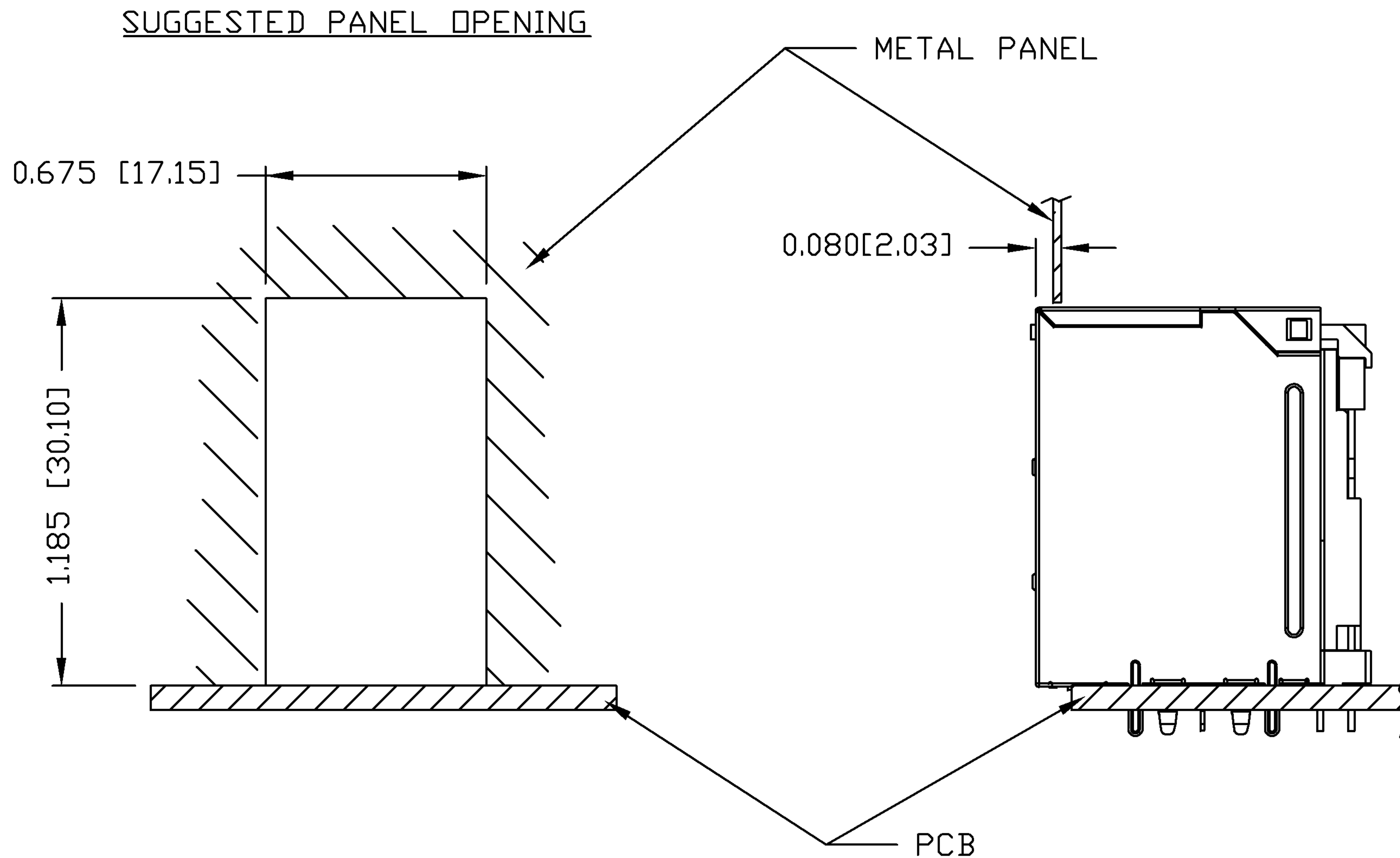
THE SHADED AREA ON THE CUSTOMER BOARD ARE RECOMMENDED TO BE CLEAR OFF ANY VIA HOLE OR COMPONENT PAD.

<b>ORIGINATED BY</b> ZX HUANG	<b>DATE</b> 05-22-08	<b>TITLE</b> MagJack® Combo (4 Cores, MDIX, CM TERMINATION)	<b>PART NO. / DRAWING NO.</b> 08C2-1DX1-06	<b>STANDARD DIM. TOL. IN INCH</b>	<b>[ ] METRIC DIM. AS REFERENCE</b>	
<b>DRAWN BY</b> JOLLY LUD	<b>DATE</b> 05-22-08		<b>FILE NAME</b> 08C2-1DX1-06_PA.DWG	.X .XX .XXX	±0.004	UNIT : INCH [mm] SCALE : N/A



THE INFORMATION CONTAINED HEREIN IS CONSIDERED "PROPRIETARY" TO BEL FUSE INC. AND SHALL NOT BE COPIED, REPRODUCED OR DISCLOSED WITHOUT THE WRITTEN APPROVAL OF BEL FUSE INC.

PRELIMINARY



NOTE:

THE DISTANCE OF PANEL INSIDE SURFACE RELATIVE TO FRONT SURFACE OF PART IS ONLY A SUGGESTION. IN CASE THIS DISTANCE IS DIFFERENT, THE REQUIRED PANEL OPENING DIMENSIONS CHANGE ACCORDINGLY.

PACKING INFORMATION

PACKING TRAY : 0200-9999-A3

PACKING QUANTITY : 42 PCS FINISHED GOODS PER TRAY

10 TRAYS (420 PCS FINISHED GOODS) PER CARTON BOX

NOTE : CARDBOARDS ARE PLACED BETWEEN LAYERS OF PACKING TRAY INSIDE CARTON BOX

(INCLUDE THE UPPERMOST AND LOWERMOST TRAY)

ORIGINATED BY ZX HUANG	DATE 05-22-08	TITLE MagJack® Combo	PART NO. / DRAWING NO. 08C2-1DX1-06	STANDARD DIM. TOL. IN INCH	[ ] METRIC DIM. AS REFERENCE
DRAWN BY JOLLY LUO	DATE 05-22-08	(4 Cores, MDIX, CM TERMINATION)	FILE NAME 08C2-1DX1-06_PA.DWG	.X .XX .XXX ±0.004	UNIT : INCH [mm] SCALE : N/A REV. : PA SIZE : A4 PAGE : 6

