

THE INFORMATION CONTAINED HEREIN IS CONSIDERED "PROPRIETARY" TO BEL FUSE INC. AND SHALL NOT BE COPIED, REPRODUCED OR DISCLOSED WITHOUT THE WRITTEN APPROVAL OF BEL FUSE INC.

RoHS
2002/95/EC



LED1 POLARITY			LED2 POLARITY		
PIN 7	PIN 8	COLOR	PIN 9	PIN 10	COLOR
-	+	YELLOW	-	+	GREEN

ELECTRICAL CHARACTERISTICS @ 25°C

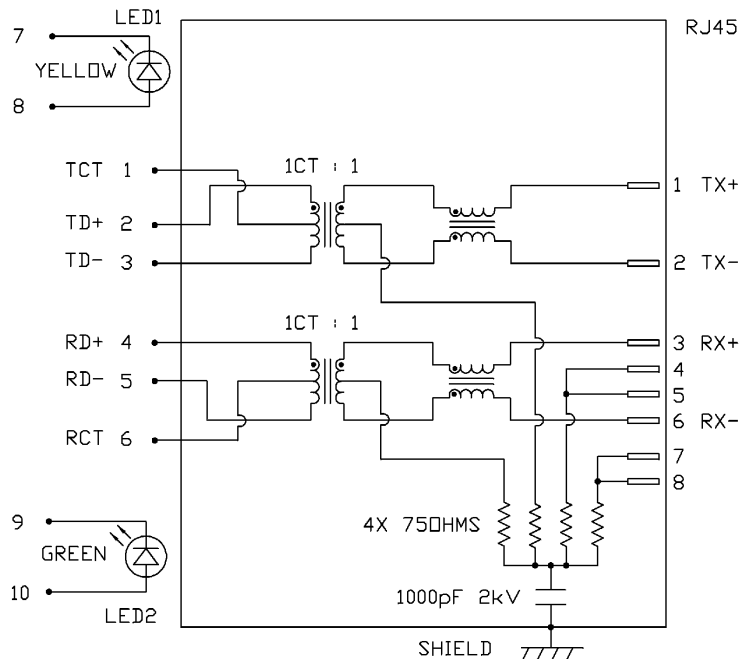
URNS RATIO TX RX DCL @ 100kHz/100mVRMS 8mA DC BIAS INS. LOSS 1MHZ TO 100MHZ RET. LOSS (MIN) 1MHZ-30MHZ 30MHZ-60MHZ 60MHZ-80MHZ CROSS TALK (TX - RX) 500kHz-1MHz 10 MHZ 30 MHZ 50 MHZ 100 MHZ CM TO CM REJ 100kHz-1MHz 10 MHZ 30 MHZ 60 MHZ 100 MHZ CM TO DM REJ 100kHz-1MHz 10 MHZ 30 MHZ 60 MHZ 100 MHZ HIPDT (Isolation Voltage):	1CT : 1 1CT : 1 350µH MIN. -1.0 dB MAX -18 dB -18+20LOG(F/30MHZ) dB -12 dB -70 dB MIN -50 dB MIN -45 dB MIN -40 dB MIN -35 dB MIN -70 dB MIN -47 dB MIN -42 dB MIN -37 dB MIN -30 dB MIN -70 dB MIN -60 dB MIN -50 dB MIN -45 dB MIN -40 dB MIN 1500 Vrms
--	---

100% OF PRODUCTION TESTED TO COMPLY WITH IEEE 802.3 ISOLATION REQUIREMENTS.

LED 1		
V _F (FORWARD VOLTAGE)	IF=20mA YELLOW	2.1V TYP.
λ _D (DOMINANT WAVELENGTH)	IF=20mA YELLOW	590nm TYP.
LED 2		
V _F (FORWARD VOLTAGE)	IF=20mA GREEN	2.2V TYP.
λ _D (DOMINANT WAVELENGTH)	IF=20mA GREEN	565nm TYP.

USB ELECTRICAL:
 INSULATION RESISTANCE: 1000 MEGA Ω(MIN)
 CONTACT RESISTANCE: 25 MILLI Ω (MAX)
 DIELECTRIC WITHSTANDING: 750 VAC

SCHEMATIC

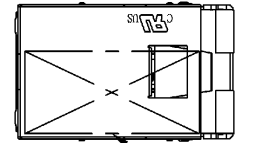
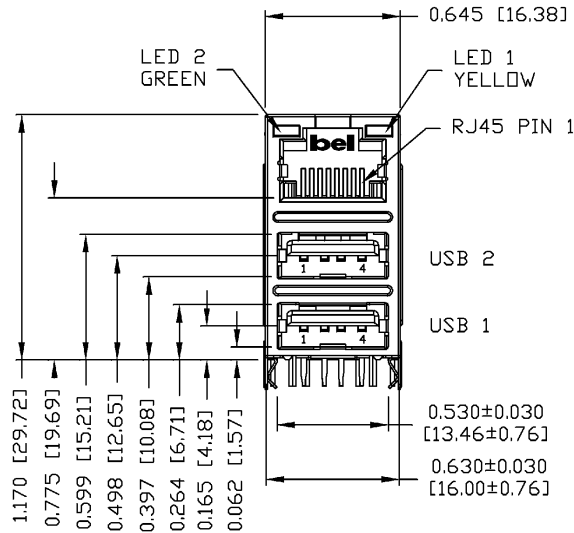


ORIGINATED BY	DATE	TITLE	PART NO. / DRAWING NO.	STANDARD DIM. TOL. IN INCH	[] METRIC DIM. AS REFERENCE	 COMPONENTS OF A CONNECTED PLANET
CHOW WANCHUNG	08-01-08	MagJack® Combo	08C2-1AX1-06	.X	UNIT : INCH [mm]	
DRAWN BY	DATE	<4 Cores, MDIX, CM TERMINATION>	FILE NAME	.XX	SCALE : N/A	
LI YONGFENG	08-01-08		08C2-1AX1-06_A.DWG	.XXX	REV. : A	
					SIZE : A4	
						PAGE : 2

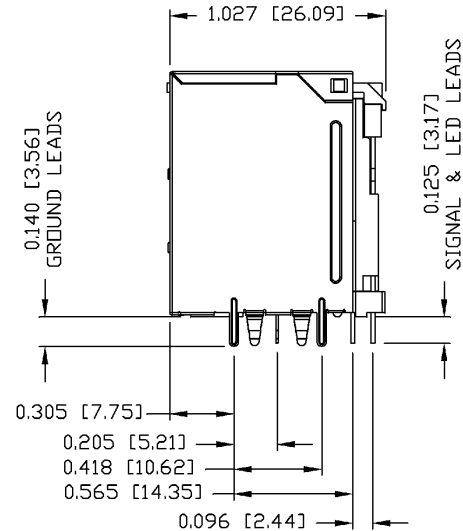
THE INFORMATION CONTAINED HEREIN IS CONSIDERED "PROPRIETARY" TO BEL FUSE INC. AND SHALL NOT BE COPIED, REPRODUCED OR DISCLOSED WITHOUT THE WRITTEN APPROVAL OF BEL FUSE INC.

MECHANICAL SPECIFICATION

RoHS
2002/95/EC



1



ORIGINATED BY	DATE	TITLE	PART NO. / DRAWING NO.	STANDARD DIM. TOL. IN INCH	[] METRIC DIM. AS REFERENCE
CHEN BILL	08-01-08	MagJack® Combo (4 Cores, MDIX, CM TERMINATION)	08C2-1AX1-06	.X	UNIT : INCH [mm] REV. : A
DRAWN BY	DATE		FILE NAME	.XX	SCALE : N/A SIZE : A4
LIU QIN	08-01-08		08C2-1AX1-06_A.DWG	.XXX ±0.010	PAGE : 3

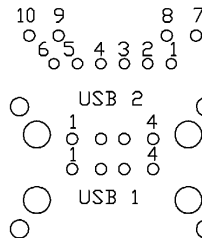
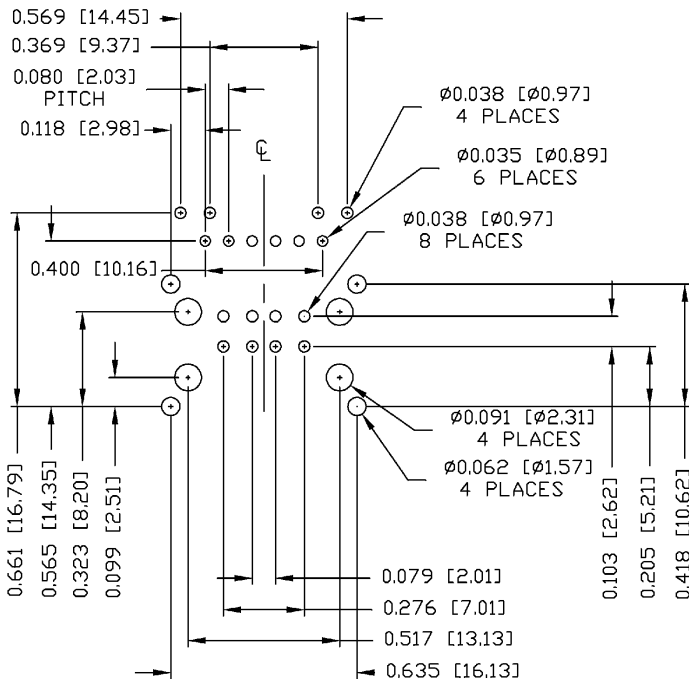


THE INFORMATION CONTAINED HEREIN IS CONSIDERED "PROPRIETARY" TO BEL FUSE INC. AND SHALL NOT BE COPIED, REPRODUCED OR DISCLOSED WITHOUT THE WRITTEN APPROVAL OF BEL FUSE INC.

RoHS
2002/95/EC



Recommended PCB footprint
Component Side



RJ45 MECHANICAL:
PLASTIC HOUSING: THERMOPLASTIC PBT OR EQUIVALENT.
CONTACT PLATING: 30 MICRO-INCH HARD GOLD PLATING
PINS: TIN-COATED COPPER WIRE, DIA 0.018 INCH.
METAL SHIELD: NICKEL PLATED ON COPPER ALLOY.
(ALL NICKEL PLATED GROUND LEADS ARE SOLDER DIPPED)

USB MECHANICAL:
MATING FORCE: 35 NEWTONS MAXIMUM
UNMATING FORCE: 10 NEWTONS MINIMUM
CONTACT: PHOSPHOR BRONZE
30 MICRO-INCH GOLD PLATING ON CONTACT AREA AND TIN ON SOLDER TAIL.

UL US UL RECOGNIZED - FILE #E196366 AND E169987.
JACK CAVITY CONFORMS TO FCC RULES AND REGULATIONS.

1. MARK PART WITH MFG LOGO, MFG NAME, PART NUMBER, AND DATE CODE.

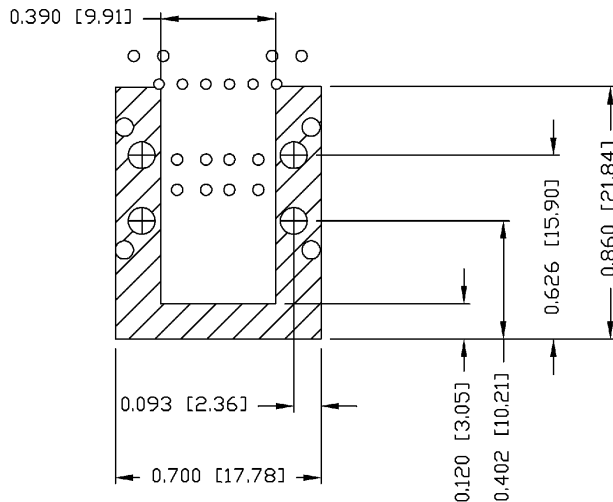
2. RoHS COMPLIANCE, PER EU DIRECTIVE 2002/95/EC.

ORIGINATED BY	DATE	TITLE	PART NO. / DRAWING NO.	STANDARD DIM.	[] METRIC DIM. AS REFERENCE
CHEN BILL	08-01-08	MagJack® Combo	08C2-1AX1-06	TOL. IN INCH	UNIT : INCH [mm] REV. : A
DRAWN BY	DATE	<4 Cores, MDIX, CM TERMINATION>	FILE NAME	.X	SCALE : N/A
LIU QIN	08-01-08		08C2-1AX1-06_A.DWG	.XX	SIZE : A4
				.XXX	±0.004



THE INFORMATION CONTAINED HEREIN IS CONSIDERED "PROPRIETARY" TO BEL FUSE INC. AND SHALL NOT BE COPIED, REPRODUCED OR DISCLOSED WITHOUT THE WRITTEN APPROVAL OF BEL FUSE INC.

RoHS
2002/95/EC



NOTES

THE SHADED AREA ON THE CUSTOMER BOARD ARE RECOMMENDED TO BE CLEAR OFF ANY VIA HOLE OR COMPONENT PAD.

ORIGINATED BY CHEN BILL	DATE 08-01-08	TITLE MagJack @ Combo (4 Cores, MDIX, CM TERMINATION)	PART NO. / DRAWING NO. 08C2-1AX1-06	STANDARD DIM. TOL. IN INCH	[] METRIC DIM. AS REFERENCE
DRAWN BY LIU QIN	DATE 08-01-08		FILE NAME 08C2-1AX1-06_A.DWG	.X .XX .XXX	UNIT : INCH [mm] SCALE : N/A ⊕

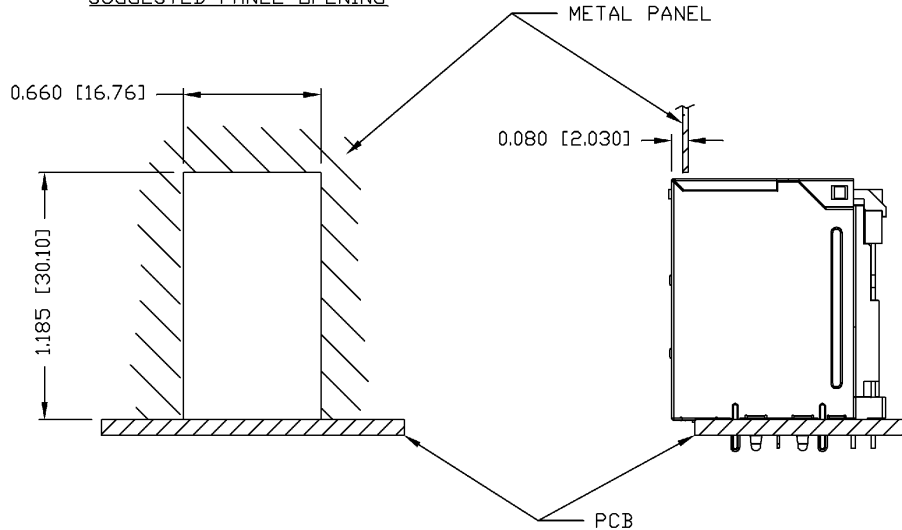


THE INFORMATION CONTAINED HEREIN IS CONSIDERED "PROPRIETARY" TO BEL FUSE INC. AND SHALL NOT BE COPIED, REPRODUCED OR DISCLOSED WITHOUT THE WRITTEN APPROVAL OF BEL FUSE INC.

RoHS
2002/95/EC



SUGGESTED PANEL OPENING



NOTE:

THE DISTANCE OF PANEL INSIDE SURFACE RELATIVE TO FRONT SURFACE OF PART IS ONLY A SUGGESTION. IN CASE THIS DISTANCE IS DIFFERENT, THE REQUIRED PANEL OPENING DIMENSIONS CHANGE ACCORDINGLY.

PACKING INFORMATION

PACKING TRAY : 0200-9999-A3

PACKING QUANTITY : 42 PCS FINISHED GOODS PER TRAY

10 TRAYS (420 PCS FINISHED GOODS) PER CARTON BOX

NOTE : CARDBOARDS ARE PLACED BETWEEN LAYERS OF PACKING TRAY INSIDE CARTON BOX (INCLUDE THE UPPERMOST AND LOWERMOST TRAY)

ORIGINATED BY	DATE	TITLE	PART NO. / DRAWING NO.	STANDARD DIM. TOL. IN INCH	[] METRIC DIM. AS REFERENCE
CHEN BILL	08-01-08	MagJack® Combo	08C2-1AX1-06	.X	UNIT : INCH [mm] REV. : A
DRAWN BY	DATE	(4 Cores, MDIX, CM TERMINATION)	FILE NAME	.XX	SCALE : N/A SIZE : A4
LIU QIN	08-01-08		08C2-1AX1-06_A.DWG	.XXX ±0.004	PAGE : 6

