

THE INFORMATION CONTAINED HEREIN IS CONSIDERED "PROPRIETARY" TO BEL FUSE INC. AND SHALL NOT BE COPIED, REPRODUCED OR DISCLOSED WITHOUT THE WRITTEN APPROVAL OF BEL FUSE INC.

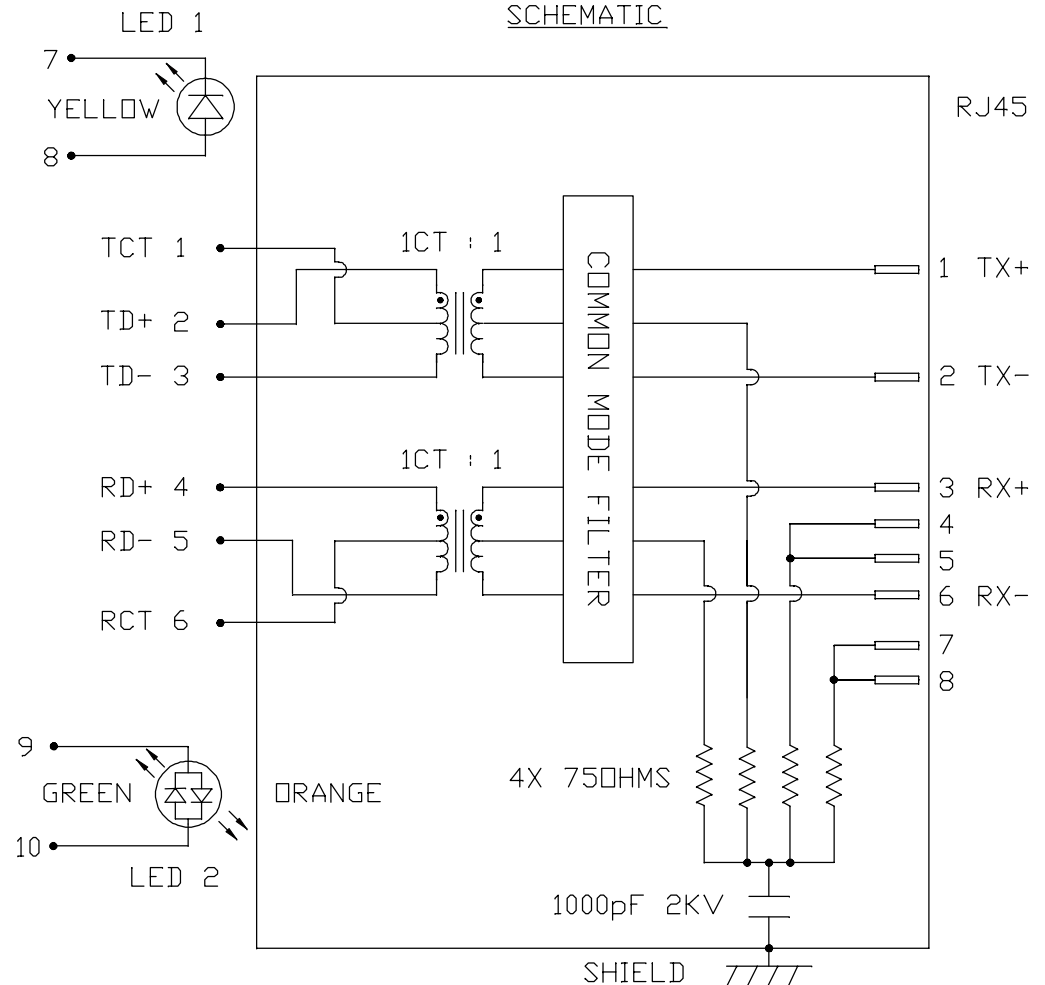
RoHS



ELECTRICAL CHARACTERISTICS @ 25°C

<p> URNS RATIO TX RX CL @ 100kHz/100mVRMS 8mA DC BIAS INS. LOSS 1MHz TO 100MHz RET. LOSS (MIN) 1MHz-30MHz 30MHz-60MHz 60MHz-80MHz CROSS TALK (TX - RX) 500kHz-1MHz 10 MHz 30 MHz 50 MHz 100 MHz CM TO CM REJ 100kHz-1MHz 10 MHz 30 MHz 60 MHz 100 MHz CM TO DM REJ 100kHz-1MHz 10 MHz 30 MHz 60 MHz 100 MHz HIPOT (Isolation Voltage): 100% OF PRODUCTION TESTED TO COMPLY WITH IEEE 802.3 ISOLATION REQUIREMENTS. LED 1 VF (FORWARD VOLTAGE) IF=20mA λD (DOMINANT WAVELENGTH) IF=20mA LED 2 VF (FORWARD VOLTAGE) IF=20mA λD (DOMINANT WAVELENGTH) IF=20mA VF (FORWARD VOLTAGE) IF=20mA λD (DOMINANT WAVELENGTH) IF=20mA OPERATING TEMPERATURE: 0°C TO +70°C. </p>	<p> 1CT : 1 1CT : 1 350µH MIN. -1.0 dB MAX -18 dB -18+20LOG(F/30MHz) dB -12 dB -70 dB MIN -50 dB MIN -45 dB MIN -40 dB MIN -35 dB MIN -70 dB MIN -47 dB MIN -42 dB MIN -37 dB MIN -30 dB MIN -70 dB MIN -60 dB MIN -50 dB MIN -45 dB MIN -40 dB MIN 1500 Vrms YELLOW 2.1V TYP. YELLOW 590nm TYP. GREEN 2.2V TYP. GREEN 570nm TYP. ORANGE 2.0V TYP. ORANGE 605nm TYP. </p>
---	---

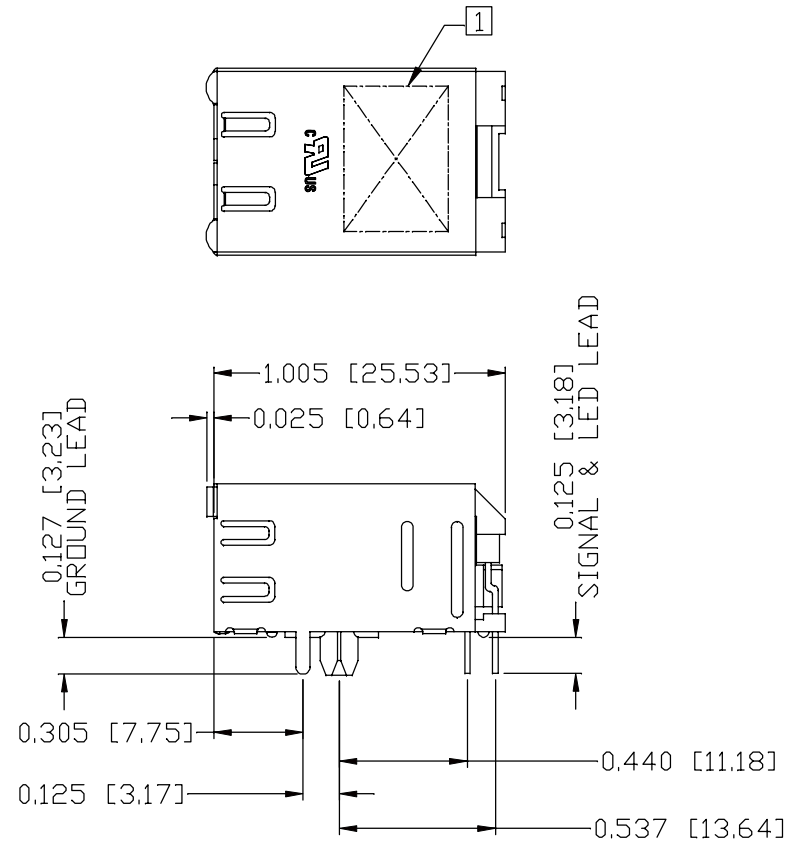
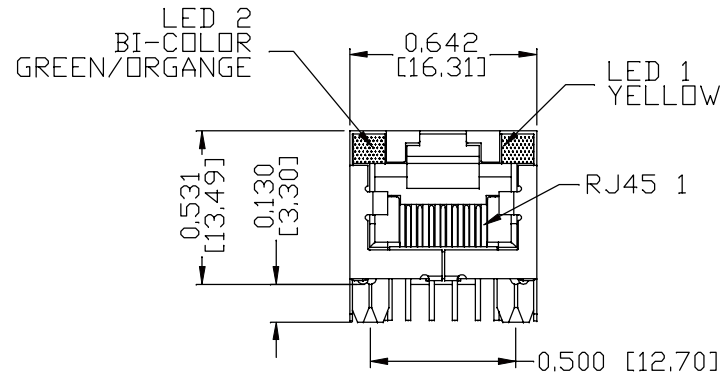
LED1 POLARITY			LED2 POLARITY		
PIN 7	PIN 8	COLOR	PIN 9	PIN 10	COLOR
/	/	/	+	-	ORANGE
-	+	YELLOW	-	+	GREEN



<p> ORIGINATED BY CHOW WANCHUNG DATE 2017-03-13 DRAWN BY XIE YIMING DATE 2017-03-13 </p>	<p> TITLE MagJack® (4 Cores, MDIX, CM Termination) 08B0-1XX1-06-F </p>	<p> PART NO. / DRAWING NO. 08B01XX106-F FILE NAME 08B01XX106-F_E.DWG </p>	<p> STANDARD DIM. TOL. IN INCH .X .XX .XXX </p>	<p> [] METRIC DIM. AS REF. UNIT : INCH [mm] SCALE : N/A SIZE : A4 </p>	<p> REV. : E PAGE : 2 </p>
---	--	--	--	--	--

THE INFORMATION CONTAINED HEREIN IS CONSIDERED "PROPRIETARY" TO BEL FUSE INC. AND SHALL NOT BE COPIED, REPRODUCED OR DISCLOSED WITHOUT THE WRITTEN APPROVAL OF BEL FUSE INC.

MECHANICAL SPECIFICATION



NOTES:

- PLASTIC HOUSING: THERMOPLASTIC PBT, BLACK
FLAMMABILITY RATING UL 94V-0
- CONTACTS PLATING: 15 MICRO-INCH HARD GOLD PLATING OR EQUIVALENT.
- PINS: TIN-COATED COPPER WIRE, DIA 0.018 INCH.
100 MICRO-INCH MIN MATTE TIN. PINS ARE SOLDER DIPPED.
- METAL SHIELD: PRE-PLATED NICKEL ON COPPER ALLOY.
(ALL GROUND LEADS ARE SOLDER DIPPED)
- 1. MARK PART WITH MFG LOGO, MFG NAME, PART NUMBER AND DATE CODE.
- 2. THE PRODUCT IS RoHS COMPLIANT.

- 3. JACK CAVITY CONFORMS TO FCC RULES AND REGULATIONS, PART 68 SUBPART F.
- 4. THE PART IS RECOMMENDED FOR WAVE SOLDERING, THE SUGGESTED PEAK WAVE SOLDERING CONDITION IS 260°C MAX AND 10 SECONDS MAX.

UL RECOGNIZED - FILE #E196366 AND E169987.

REV. : E PAGE : 3

ORIGINATED BY
LI QUANKUN
DATE 2017-03-13
DRAWN BY
ZHANG XUEZHENG
DATE 2017-03-13

TITLE
MagJack®
(4 Cores, MDIX, CM Termination)
08B0-1XX1-06-F

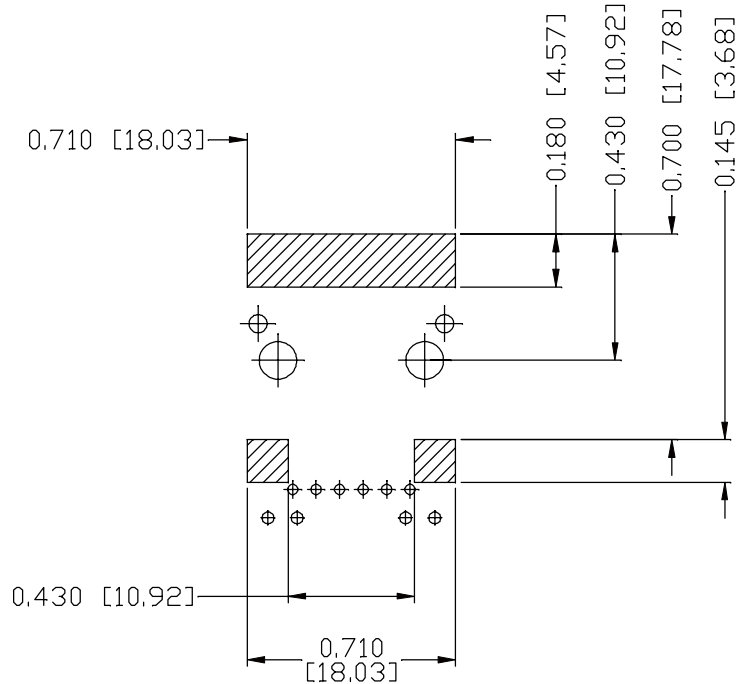
PART NO. / DRAWING NO.
08B01XX106-F
FILE NAME
08B01XX106-F_E.DWG

STANDARD DIM. TOL. IN INCH	[] METRIC DIM. AS REF.
.X	UNIT : INCH [mm]
.XX	SCALE : N/A
.XXX	SIZE : A4

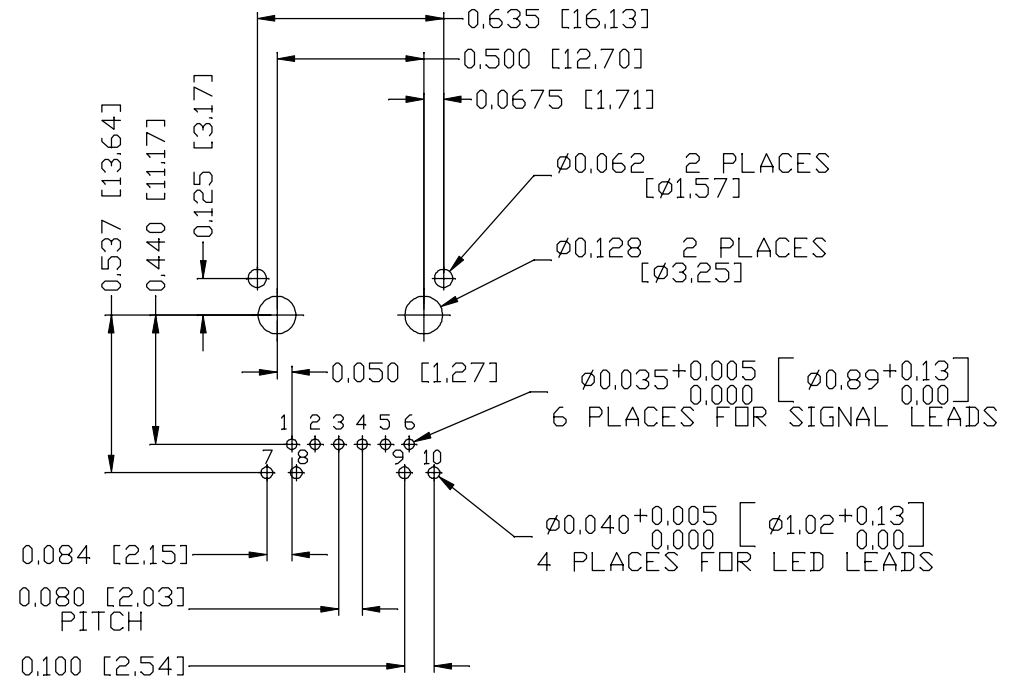


THE INFORMATION CONTAINED HEREIN IS CONSIDERED "PROPRIETARY" TO BEL FUSE INC. AND SHALL NOT BE COPIED, REPRODUCED OR DISCLOSED WITHOUT THE WRITTEN APPROVAL OF BEL FUSE INC.

RoHS



RECOMMENDED PCB FOOTPRINT
COMPONENT SIDE VIEW



NOTES:

THE SHADED AREA ON THE CUSTOMER BOARD ARE RECOMMENDED TO BE CLEAR OFF ANY VIA HOLE OR COMPONENT PAD.

REV. :	E	PAGE :	4
--------	---	--------	---

ORIGINATED BY LI QUANKUN DATE 2017-03-13 DRAWN BY ZHANG XUEZHENG DATE 2017-03-13	TITLE MagJack® (4 Cores, MDIX, CM Termination) 08B0-1XX1-06-F	PART NO. / DRAWING NO. 08B01XX106-F FILE NAME 08B01XX106-F_E.DWG	STANDARD DIM. TOL. IN INCH .X	[] METRIC DIM. AS REF.
			.XX	UNIT : INCH [mm]
			.XXX ±0.004	SCALE : N/A SIZE : A4

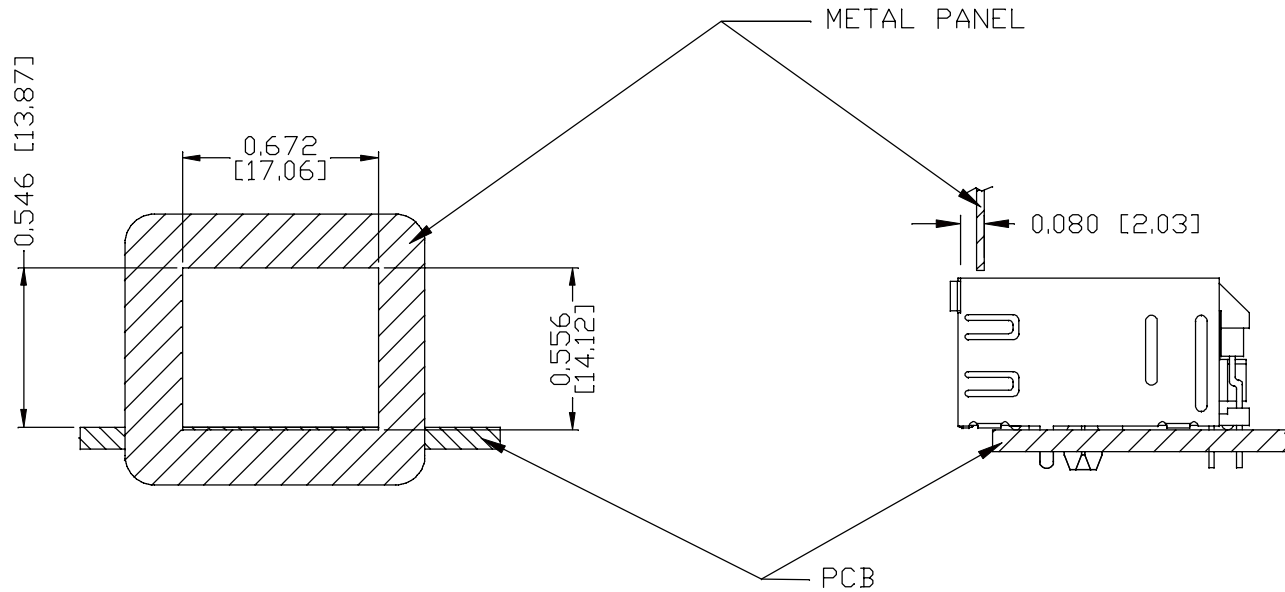


THE INFORMATION CONTAINED HEREIN IS CONSIDERED "PROPRIETARY" TO BEL FUSE INC. AND SHALL NOT BE COPIED, REPRODUCED OR DISCLOSED WITHOUT THE WRITTEN APPROVAL OF BEL FUSE INC.

RoHS



SUGGESTED PANEL OPENING



NOTE:

THE DISTANCE OF PANEL INSIDE SURFACE RELATIVE TO FRONT SURFACE OF PART IS ONLY A SUGGESTION. IN CASE THIS DISTANCE IS DIFFERENT, THE REQUIRED PANEL OPENING DIMENSIONS CHANGE ACCORDINGLY.

PACKING INFORMATION

PACKING TUBE : 0200-0149-01

PACKING QUANTITY : 30 PCS FINISHED GOODS PER TUBE

20 TUBES (600 PCS FINISHED GOODS) PER CARTON BOX

ORIGINATED BY LI QUANKUN DATE 2017-03-13		TITLE MagJack® (4 Cores, MDIX, CM Termination)		PART NO. / DRAWING NO. 08B01XX106-F		STANDARD DIM. TOL. IN INCH [] METRIC DIM. AS REF.		REV. : E PAGE : 5	
DRAWN BY ZHANG XUEZHENG DATE 2017-03-13		FILE NAME 08B01XX106-F_E.DWG		.X .XX .XXX		UNIT : INCH [mm] SCALE : N/A ±0.004		