

THE INFORMATION CONTAINED HEREIN IS CONSIDERED "PROPRIETARY" TO BEL FUSE INC. AND SHALL NOT BE COPIED, REPRODUCED OR DISCLOSED WITHOUT THE WRITTEN APPROVAL OF BEL FUSE INC.

LED 2 & 4 POLARITY			LED 1 & 3 POLARITY		
PIN 15	PIN 16	COLOR	PIN 17	PIN 18	COLOR
-	+	ORANGE	-	+	ORANGE
+	-	GREEN	+	-	GREEN

PRELIMINARY



**ELECTRICAL CHARACTERISTICS @ 25°C**

**TURNS RATIO**

TP1	1CT : 1CT ±2%
TP2	1CT : 1CT ±2%
TP3	1CT : 1CT ±2%
TP4	1CT : 1CT ±2%

**DCL @ 100kHz/100mVRMS**

(-40°C - +85°C)	180 μH MIN.
19mA DC BIAS (-40°C - +85°C)	120 μH MIN.

**INS. LOSS**

1MHz TO 150MHz	-0.004(fMHz)-0.4 dB MAX
----------------	-------------------------

**RET. LOSS**

1MHz-40MHz	-20 dB MIN
40.1MHz-150MHz	-20+15LOG(f/40MHZ) dB MIN

**CROSSTALK**

1MHz - 40MHz	-35 dB MIN
40.1MHz-150MHz	-35+15LOG(f/40MHZ) dB MIN

**CM TO CM REJ**

1MHz - 150MHz	-25 dB MIN
---------------	------------

**HIPOT (Isolation Voltage):** 2250 VDC

100% OF PRODUCTION TESTED TO COMPLY WITH IEEE 802.3 ISOLATION REQUIREMENTS.

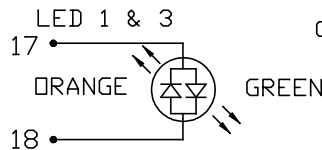
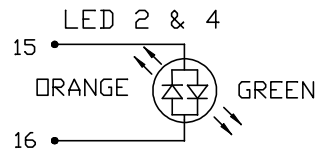
NOTE: PORT-TO-PORT ISOLATION NOT INCLUDED .

BALANCED DC LINE CURRENT 720 mA MAX. @ 57 VDC CONTINUOUS  
1.2A MAX. @ 57 VDC FOR 200 MILLISECONDS

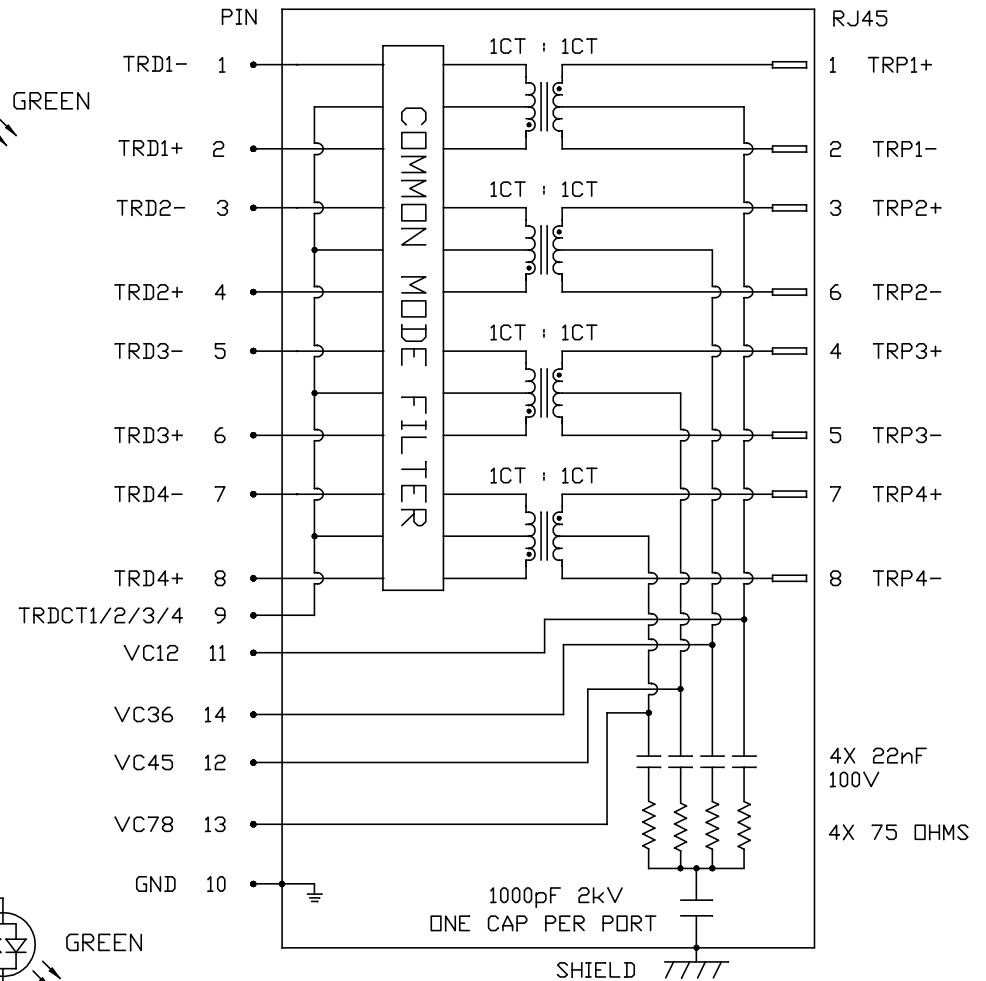
**LEDS 1, 2, 3 AND 4**

Vf (FORWARD VOLTAGE)	IF=20mA	ORANGE 2.0V TYP.
		GREEN 2.2V TYP.
λd (DOMINANT WAVELENGTH)	IF=20mA	ORANGE 605nm TYP.
		GREEN 570nm TYP.

OPERATING TEMPERATURE: -40°C TO +85°C.



**SCHEMATIC**



ORIGINATED BY  
CHOW WANCHUNG  
DATE 2017-04-05  
DRAWN BY  
XIE YIMING  
DATE 2017-04-05

TITLE  
2X6 2.5 gigabit MagJack®  
4PPoE  
PATENTED

PART NO. / DRAWING NO.  
0895-2B6J-JD  
FILE NAME  
0895-2B6J-JD\_PA.DWG

STANDARD DIM.  
TOL. IN INCH  
[ ] METRIC DIM.  
AS REF.  
.X  
.XX  
.XXX  
UNIT : INCH [mm]  
SCALE : N/A  
SIZE : A4

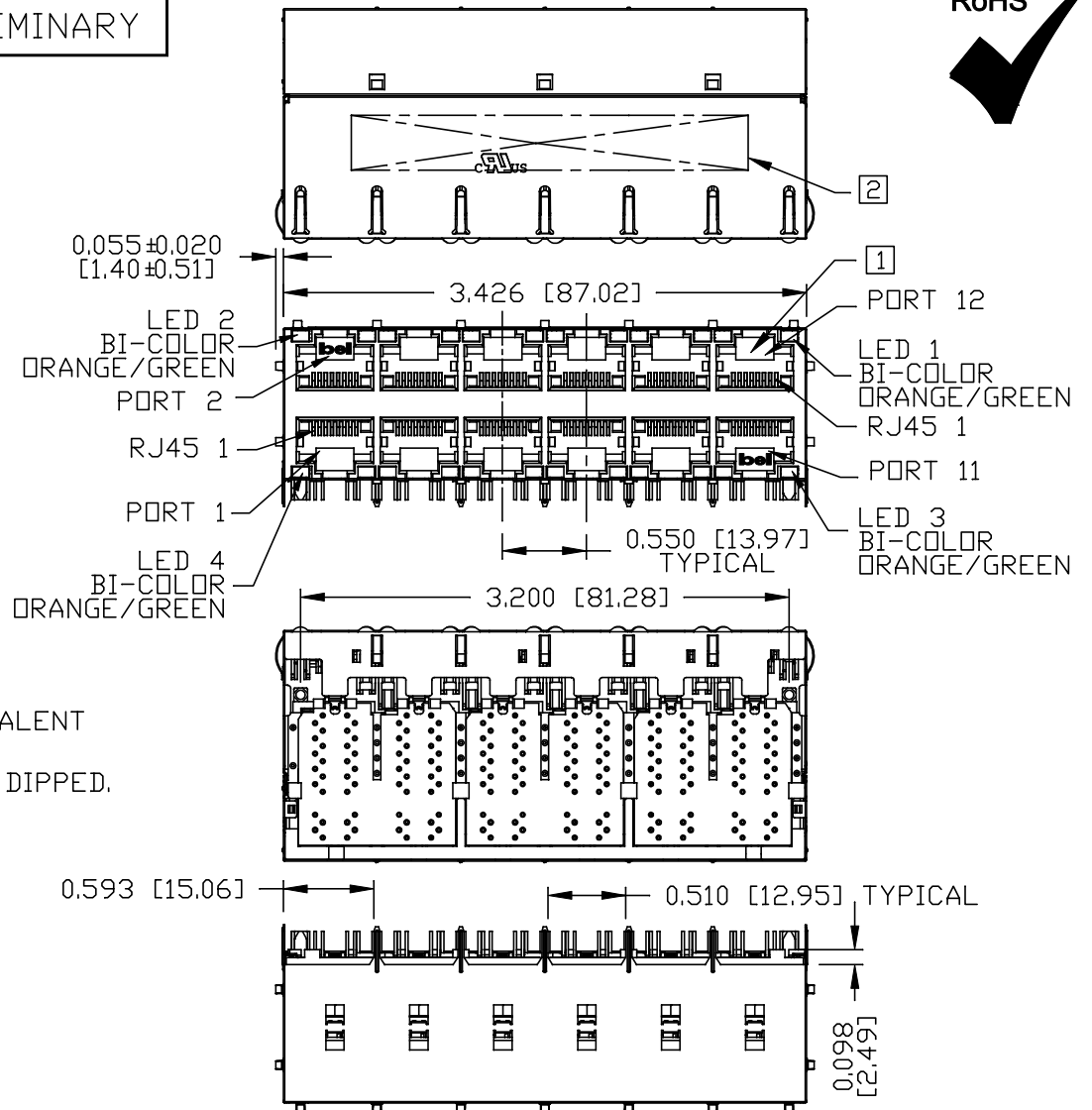
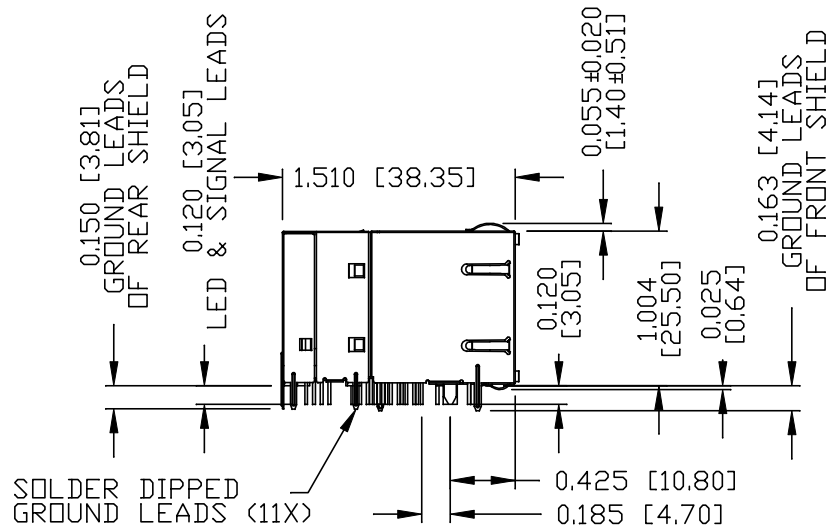
REV. : PA PAGE : 2



THE INFORMATION CONTAINED HEREIN IS CONSIDERED "PROPRIETARY" TO BEL FUSE INC. AND SHALL NOT BE COPIED, REPRODUCED OR DISCLOSED WITHOUT THE WRITTEN APPROVAL OF BEL FUSE INC.

PRELIMINARY

RoHS



NOTES:  
 PLASTIC HOUSING: THERMOPLASTIC PBT, BLACK  
 FLAMMABILITY RATING UL 94V-0  
 CONTACT PLATING: 50 MICRO-INCH HARD GOLD PLATING OR EQUIVALENT  
 OUTPUT PINS: TIN-COATED COPPER WIRE, DIA 0.018 INCH.  
 100 MICRO-INCH MIN MATTE TIN. PINS ARE SOLDER DIPPED.  
 METAL SHIELD: NICKEL PLATED ON COPPER ALLOY.  
 (ALL GROUND LEADS ARE SOLDER DIPPED)

- JACK CAVITY CONFORMS TO FCC RULES AND REGULATIONS, PART 68 SUBPART F.
- MARK PART WITH MFG LOGO, MFG NAME, PART NUMBER, DATE CODE AND PATENTED.
- THE PRODUCT IS RoHS COMPLIANT.
- UL RECOGNIZED - FILE #E196366 AND E169987.
- THE PRODUCT IS PATENTED. THE PATENT NUMBER ARE U.S. PAT. 6,840,817 AND U.S. PAT. 7,123,117.
- THE PART IS RECOMMENDED FOR WAVE SOLDERING. THE SUGGESTED PEAK WAVE SOLDERING CONDITION IS 260°C MAX AND 10 SECONDS MAX.

BACK VIEW

REV. : PA PAGE : 3

ORIGINATED BY  
ANTON LIAO  
DATE 2017-04-05  
DRAWN BY  
LIU DONGJUN  
DATE 2017-04-05

TITLE  
2X6 2.5 gigabit MagJack®  
4PPoE  
PATENTED

PART NO. / DRAWING NO.  
0895-2B6J-JD  
FILE NAME  
0895-2B6J-JD\_PA.DWG

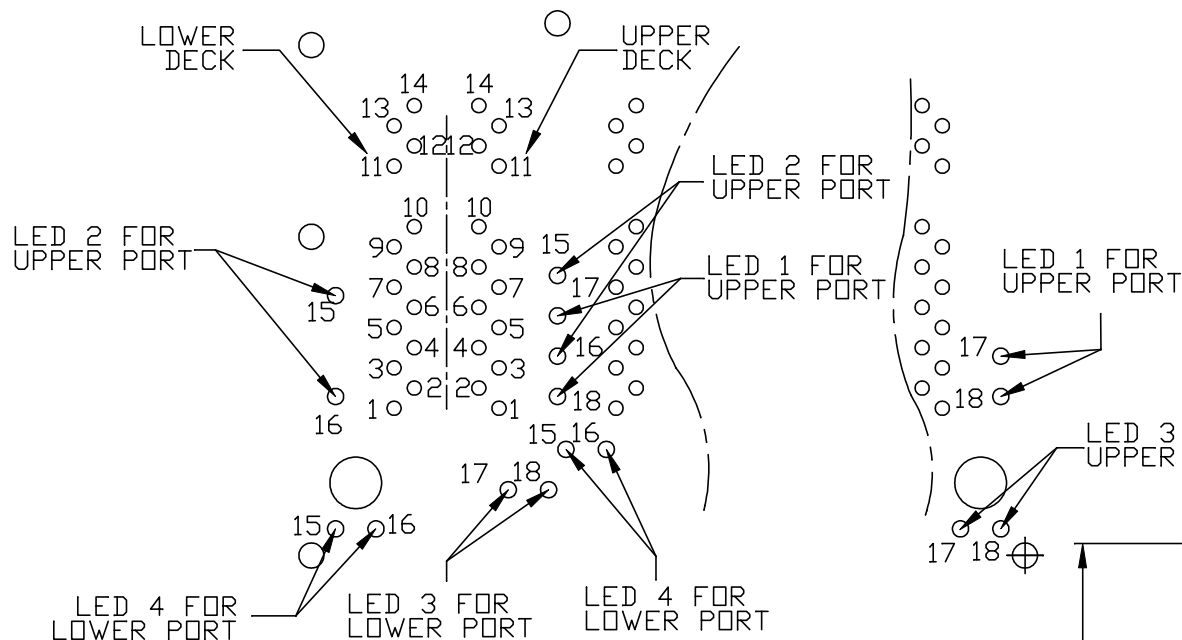
STANDARD DIM. TOL. IN INCH	[ ] METRIC DIM. AS REF.
.X	UNIT : INCH [mm]
.XX	SCALE : N/A
.XXX	SIZE : A4



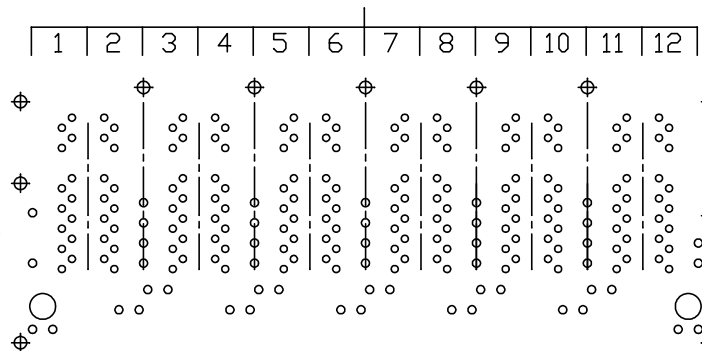
THE INFORMATION CONTAINED HEREIN IS CONSIDERED "PROPRIETARY" TO BEL FUSE INC. AND SHALL NOT BE COPIED, REPRODUCED OR DISCLOSED WITHOUT THE WRITTEN APPROVAL OF BEL FUSE INC.

PRELIMINARY

RoHS

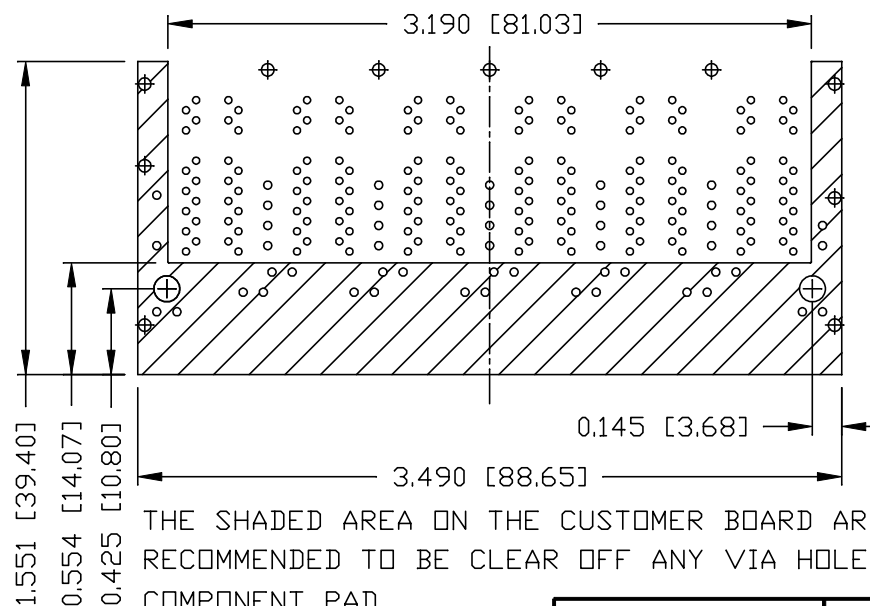


PORT ASSIGNMENT  
(COMPONENT SIDE VIEW)



PIN-OUT INFORMATION  
(COMPONENT SIDE VIEW)

10	GND		
9	TRDCT1/2/3/4		
8	TRD 4+	18	ORANGE (+)/GREEN (-)
7	TRD 4-	17	ORANGE (-)/GREEN (+)
6	TRD 3+	16	ORANGE (+)/GREEN (-)
5	TRD 3-	15	ORANGE (-)/GREEN (+)
4	TRD 2+	14	VC36
3	TRD 2-	13	VC78
2	TRD 1+	12	VC45
1	TRD 1-	11	VC12



ORIGINATED BY  
ANTON LIAO  
DATE 2017-04-05

DRAWN BY  
LIU DONGJUN  
DATE 2017-04-05

TITLE  
2X6 2.5 gigabit MagJack®  
4PPoE  
PATENTED

PART NO. / DRAWING NO.  
0895-2B6J-JD

FILE NAME  
0895-2B6J-JD\_PA.DWG

STANDARD DIM. TOL. IN INCH	[ ] METRIC DIM. AS REF.
.X	UNIT : INCH [mm]
.XX	SCALE : N/A
.XXX	±0.004
SIZE : A4	

REV. : PA PAGE : 4



THE INFORMATION CONTAINED HEREIN IS CONSIDERED "PROPRIETARY" TO BEL FUSE INC. AND SHALL NOT BE COPIED, REPRODUCED OR DISCLOSED WITHOUT THE WRITTEN APPROVAL OF BEL FUSE INC.

RoHS



PRELIMINARY

$\phi 0.035^{+0.005}_{0.000}$  [  $\phi 0.89^{+0.13}_{0.00}$  ]  
168 PLACES FOR SIGNAL PINS

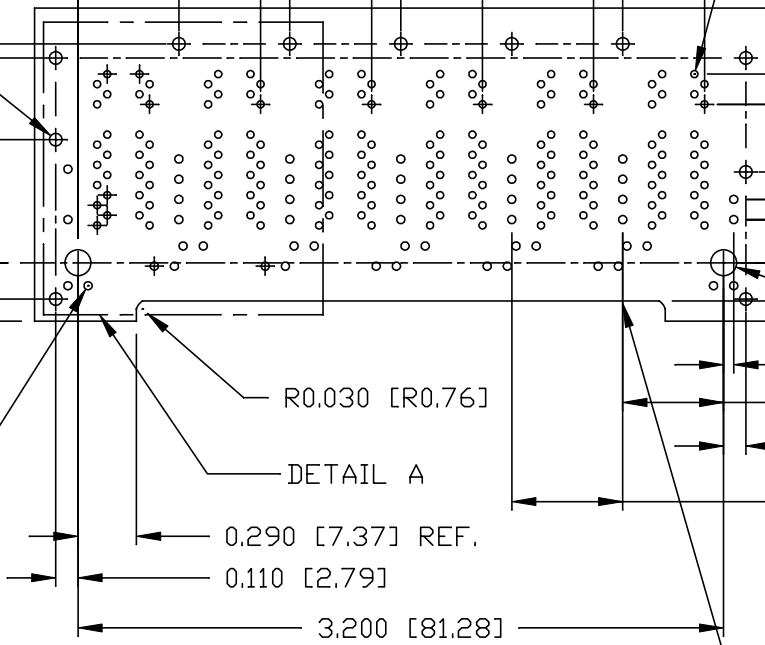
$\phi 0.062$  [  $\phi 1.57$  ]  
11 PLACES

- 3.105 [78.87]
- 2.700 [68.58]
- 2.555 [64.90]
- 2.005 [50.93]
- 1.600 [40.64]
- 1.455 [36.96]
- 1.050 [26.67]
- 0.905 [22.99]
- 0.500 [12.70]

- 0.150 [3.81]
- 0.450 [11.43]
- 0.785 [19.94]
- 0.214 [5.44]
- 0.100 [2.54]
- 0.100 [2.54]
- 0.214 [5.44]
- 0.190 [4.83] REF.

- 1.085 [27.56]
- 1.015 [25.78]
- 0.610 [15.49]
- 0.180 [4.57]
- 0.290 [7.37]

$\phi 0.040^{+0.005}_{0.000}$  [  $\phi 1.02^{+0.13}_{0.00}$  ]  
48 PLACES FOR LED LEADS



- 0.050 [1.27]
- 0.500 [12.70]
- 0.110 [2.79]
- 0.550 [13.97] PITCH
- $\phi 0.128$  [  $\phi 3.25$  ]  
2 PLACES

Recommended PCB front edge cutout. The bottom shield ground tabs (front) should not be seated on the top of the PCB.

SUGGESTED FOOTPRINT  
(COMPONENT SIDE VIEW)

REV. :	PA	PAGE :	5
--------	----	--------	---

ORIGINATED BY ANTON LIAO
DATE 2017-04-05
DRAWN BY LIU DONGJUN
DATE 2017-04-05

TITLE 2X6 2.5 gigabit MagJack® 4PPoE PATENTED
--

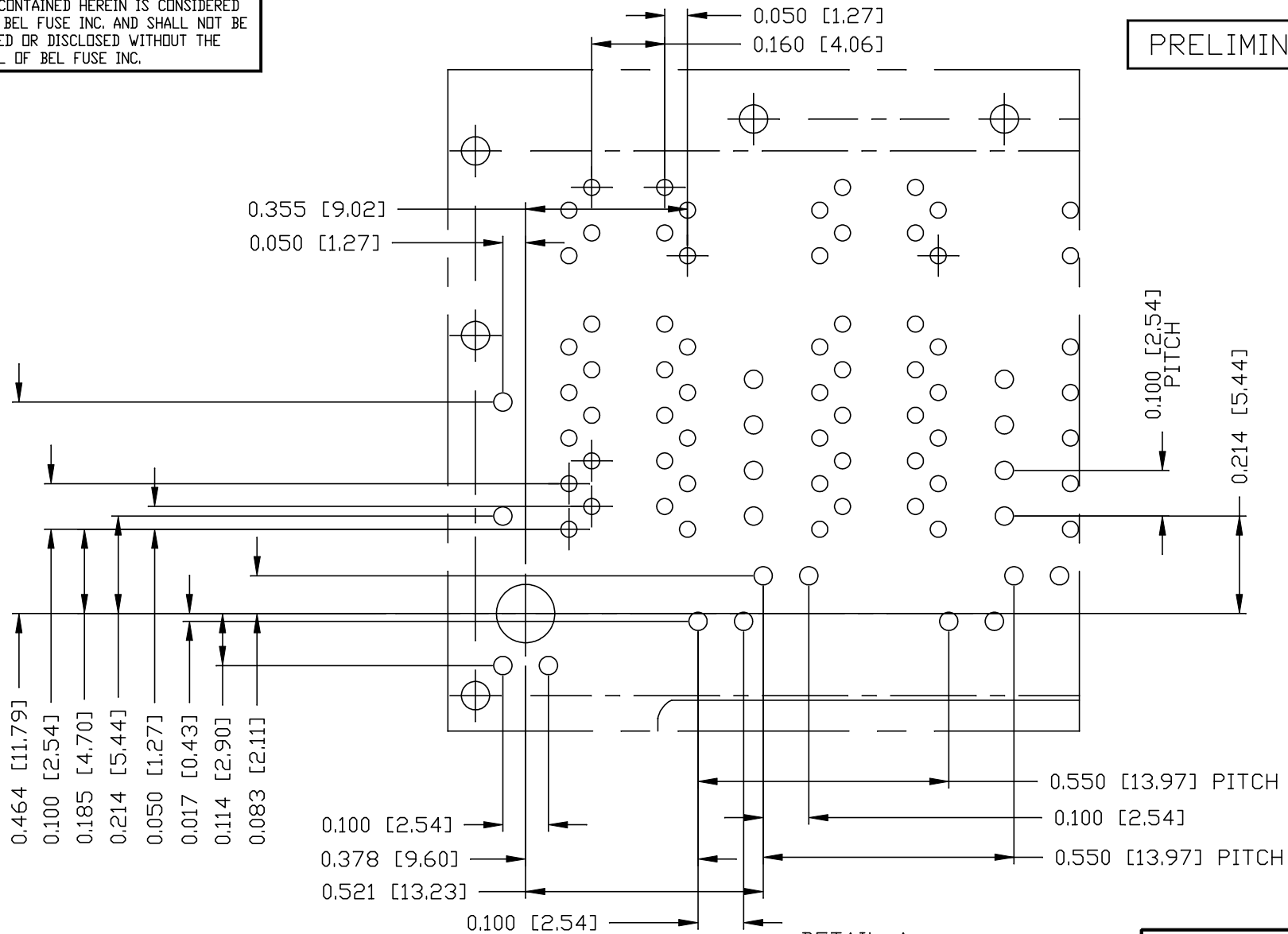
PART NO. / DRAWING NO. 0895-2B6J-JD
FILE NAME 0895-2B6J-JD_PA.DWG

STANDARD DIM. TOL. IN INCH	[ ] METRIC DIM. AS REF.
.X	UNIT : INCH [mm]
.XX	SCALE : N/A
.XXX	±0.004
	SIZE : A4



THE INFORMATION CONTAINED HEREIN IS CONSIDERED "PROPRIETARY" TO BEL FUSE INC. AND SHALL NOT BE COPIED, REPRODUCED OR DISCLOSED WITHOUT THE WRITTEN APPROVAL OF BEL FUSE INC.

PRELIMINARY



DETAIL A

REV. : PA PAGE : 6

ORIGINATED BY  
ANTON LIAO  
DATE 2017-04-05  
DRAWN BY  
LIU DONGJUN  
DATE 2017-04-05

TITLE  
2X6 2.5 Gb/s MagJack®  
4PPoE  
PATENTED

PART NO. / DRAWING NO.  
0895-2B6J-JD  
FILE NAME  
0895-2B6J-JD\_PA.DWG

STANDARD DIM. TOL. IN INCH	[ ] METRIC DIM. AS REF.
.X	UNIT : INCH [mm]
.XX	SCALE : N/A
.XXX	±0.004
	SIZE : A4



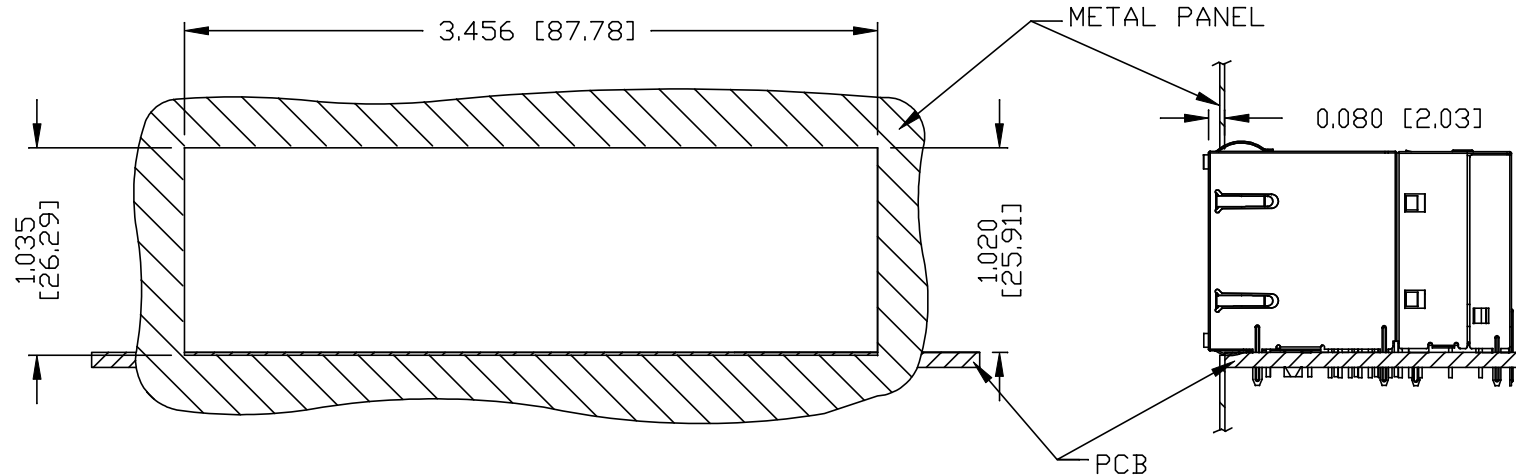
THE INFORMATION CONTAINED HEREIN IS CONSIDERED "PROPRIETARY" TO BEL FUSE INC. AND SHALL NOT BE COPIED, REPRODUCED OR DISCLOSED WITHOUT THE WRITTEN APPROVAL OF BEL FUSE INC.

PRELIMINARY

RoHS



SUGGESTED PANEL OPENING



NOTE:

THE DISTANCE OF PANEL INSIDE SURFACE RELATIVE TO FRONT SURFACE OF PART IS ONLY A SUGGESTION. IN CASE THIS DISTANCE IS DIFFERENT, THE REQUIRED PANEL OPENING DIMENSIONS CHANGE ACCORDINGLY.

PACKING INFORMATION

PACKING TRAY : 0200-9999-B7 (TOP)

0200-9999-B8 (BOTTOM)

PACKING QUANTITY : 15 PCS FINISHED GOODS PER TRAY.

5 TRAYS (75 PCS FINISHED GOODS) PER CARTON BOX.

NOTE : CARDBOARDS ARE PLACED BETWEEN LAYERS OF PACKING TRAY INSIDE CARTON BOX.

(INCLUDE THE UPPERMOST AND LOWERMOST TRAY)

REV. : PA	PAGE : 7
-----------	----------

<b>ORIGINATED BY</b> ANTON LIAO <b>DATE</b> 2017-04-05 <b>DRAWN BY</b> LIU DONGJUN <b>DATE</b> 2017-04-05	<b>TITLE</b> 2X6 2.5 gigabit MagJack® 4PPoE PATENTED	<b>PART NO. / DRAWING NO.</b> 0895-2B6J-JD	<b>STANDARD DIM.</b> TOL. IN INCH	[ ] METRIC DIM. AS REF.
		<b>FILE NAME</b> 0895-2B6J-JD_PA.DWG	.X .XX .XXX	UNIT : INCH [mm] SCALE : N/A SIZE : A4
		±0.004		

