

THE INFORMATION CONTAINED HEREIN IS CONSIDERED "PROPRIETARY" TO BEL FUSE INC. AND SHALL NOT BE COPIED, REPRODUCED OR DISCLOSED WITHOUT THE WRITTEN APPROVAL OF BEL FUSE INC.

LED 2 & 4 POLARITY			LED 1 & 3 POLARITY		
PIN 7	PIN 8	COLOR	PIN 9	PIN 10	COLOR
+	-	GREEN	+	-	YELLOW
-	+	ORANGE			

PRELIMINARY



ELECTRICAL CHARACTERISTICS @ 25°C

URNS RATIO

TP1 1CT : 1CT ±2%
 TP2 1CT : 1CT ±2%

□CL @ 100kHz/100mVRMS 350µH MIN.
 8mA DC BIAS (0°C - 70°C)

INS. LOSS
 0.1MHz TO 1MHz -1.1 dB MAX
 1MHz TO 65MHz -0.5 dB MAX
 65MHz TO 100MHz -1.0 dB MAX

RET. LOSS (MIN) @ 100ΩHMS ±15%
 0.5MHz-40MHz -18 dB
 40MHz-80MHz -12+20LOG(f/80MHz) dB

CM TO CM REJ
 100kHz - 100MHz -30 dB MIN

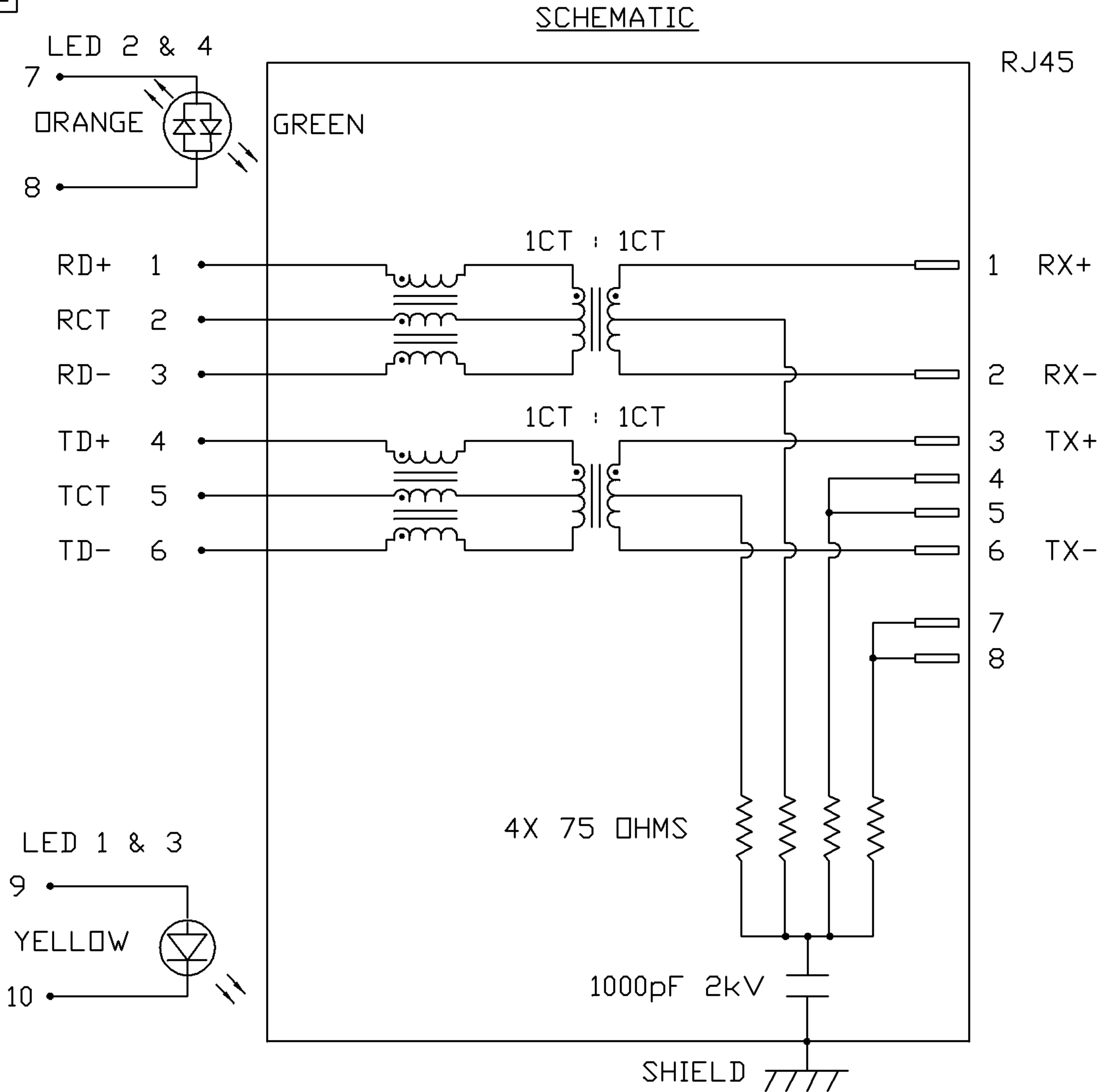
CM TO DM REJ
 100kHz - 100MHz -35 dB MIN

CROSS TALK (TX - RX)
 100kHz - 100MHz -35 dB MIN

HIPOT (Isolation Voltage): 1500 Vrms
 100% OF PRODUCTION TESTED TO COMPLY WITH
 IEEE 802.3 ISOLATION REQUIREMENTS.

LED 2 & 4
 VF (FORWARD VOLTAGE) IF=20mA GREEN 2.2V TYP.
 ORANGE 2.0V TYP.
 λD (DOMINANT WAVELENGTH) IF=20mA GREEN 565nm TYP.
 ORANGE 610nm TYP.

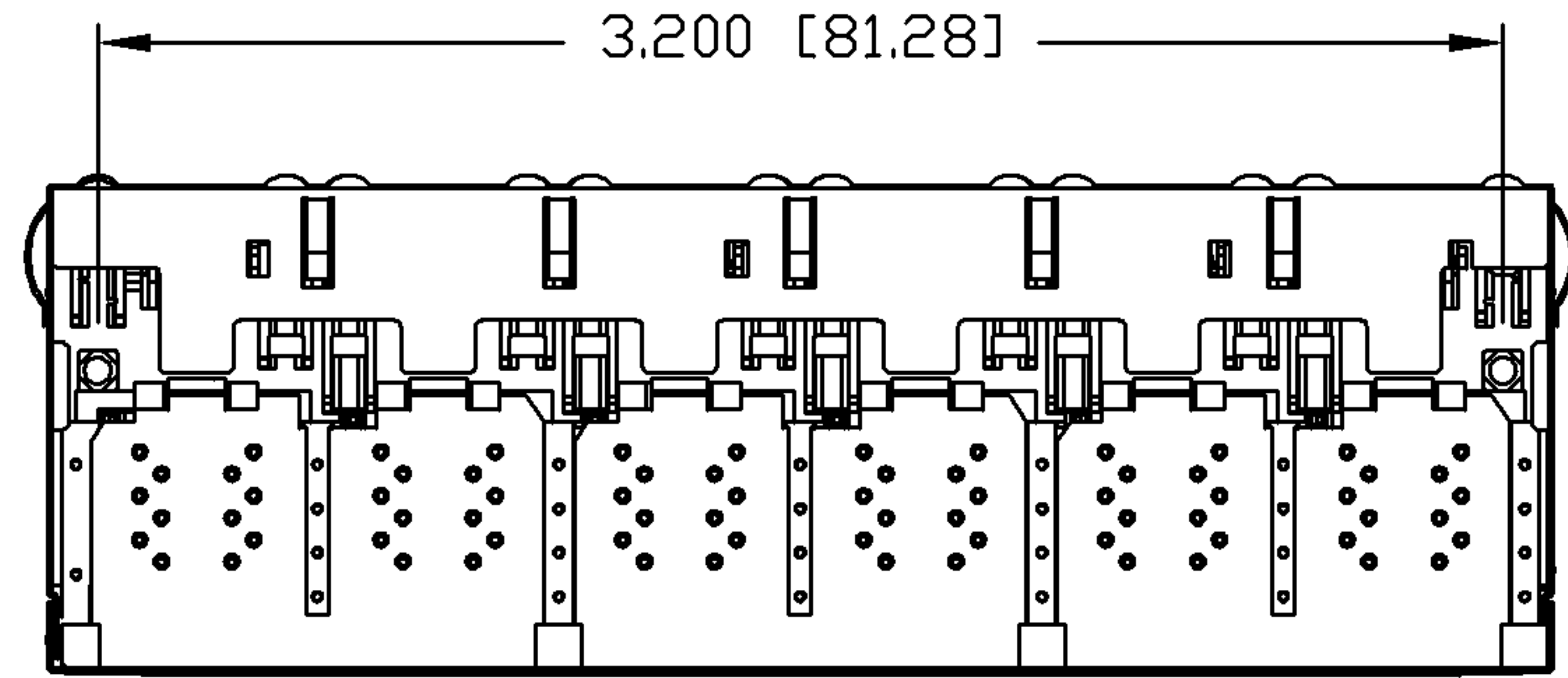
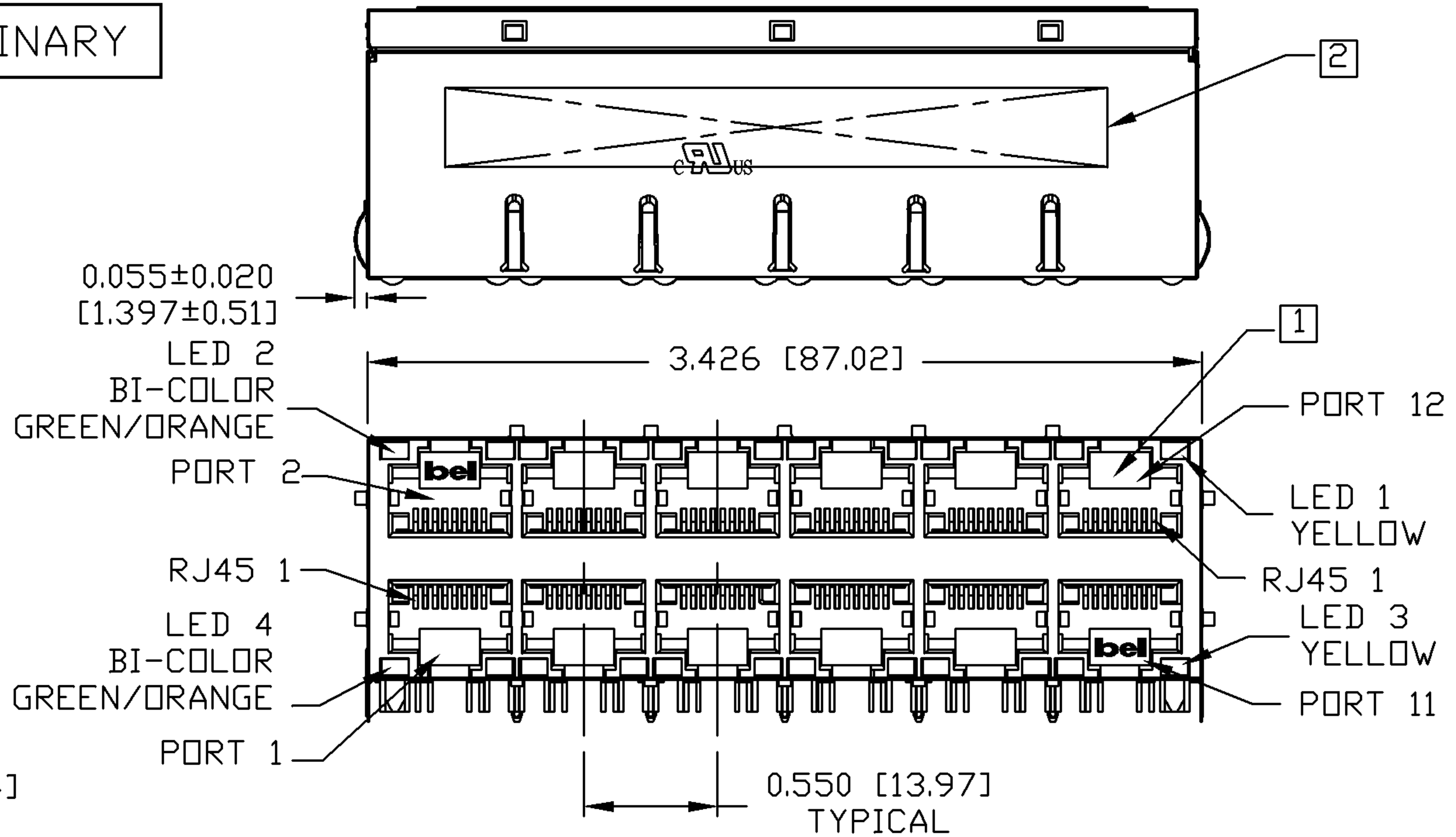
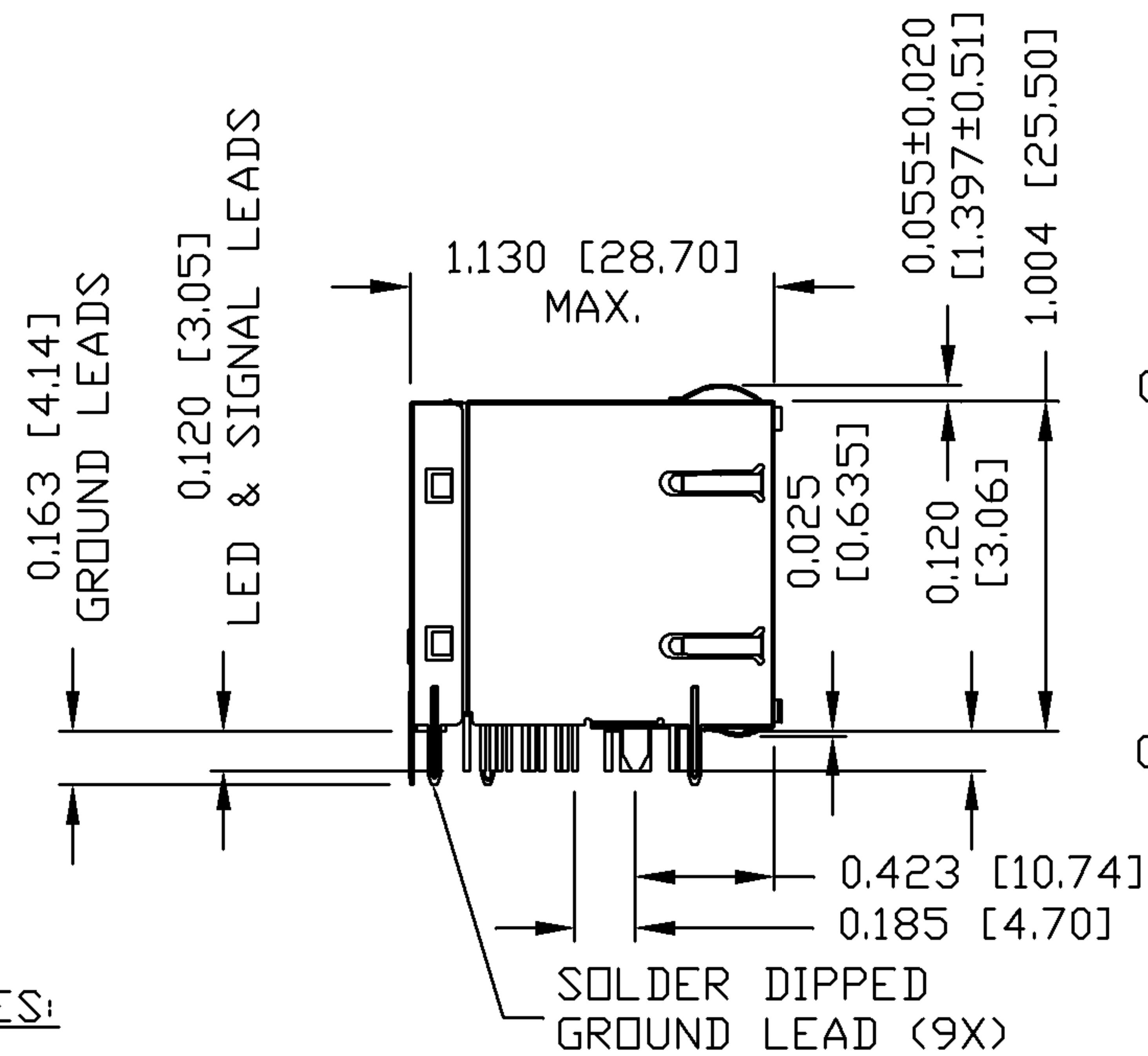
LED 1 & 3
 VF (FORWARD VOLTAGE) IF=20mA YELLOW 2.1V TYP.
 λD (DOMINANT WAVELENGTH) IF=20mA YELLOW 590nm TYP.



ORIGINATED BY CHOW WANCHUNG	DATE 12-01-08	TITLE 2X6 MagJack® WITH UPPER AND LOWER LED (4 Cores)	PART NO. / DRAWING NO. 0879-2X6R-Y9	STANDARD DIM. TOL. IN INCH .X .XX .XXX	[] METRIC DIM. AS REFERENCE UNIT : INCH [mm] SCALE : N/A	REV. : PB SIZE : A4 PAGE : 2	
DRAWN BY LEE WEIDE	DATE 12-01-08	FILE NAME 0879-2X6R-Y9_PB.DWG					

THE INFORMATION CONTAINED HEREIN IS CONSIDERED "PROPRIETARY" TO BEL FUSE INC. AND SHALL NOT BE COPIED, REPRODUCED OR DISCLOSED WITHOUT THE WRITTEN APPROVAL OF BEL FUSE INC.

PRELIMINARY



NOTES:

- PLASTIC HOUSING: THERMOPLASTIC PBT
FLAMMABILITY RATING UL 94V-0
- CONTACT PLATING: 50 MICRO-INCH HARD GOLD PLATING
- OUTPUT PINS: TIN-COATED COPPER WIRE, DIA 0.018 INCH.
- METAL SHIELD: NICKEL PLATED ON COPPER ALLOY.
(ALL GROUND LEADS ARE SOLDER DIPPED)

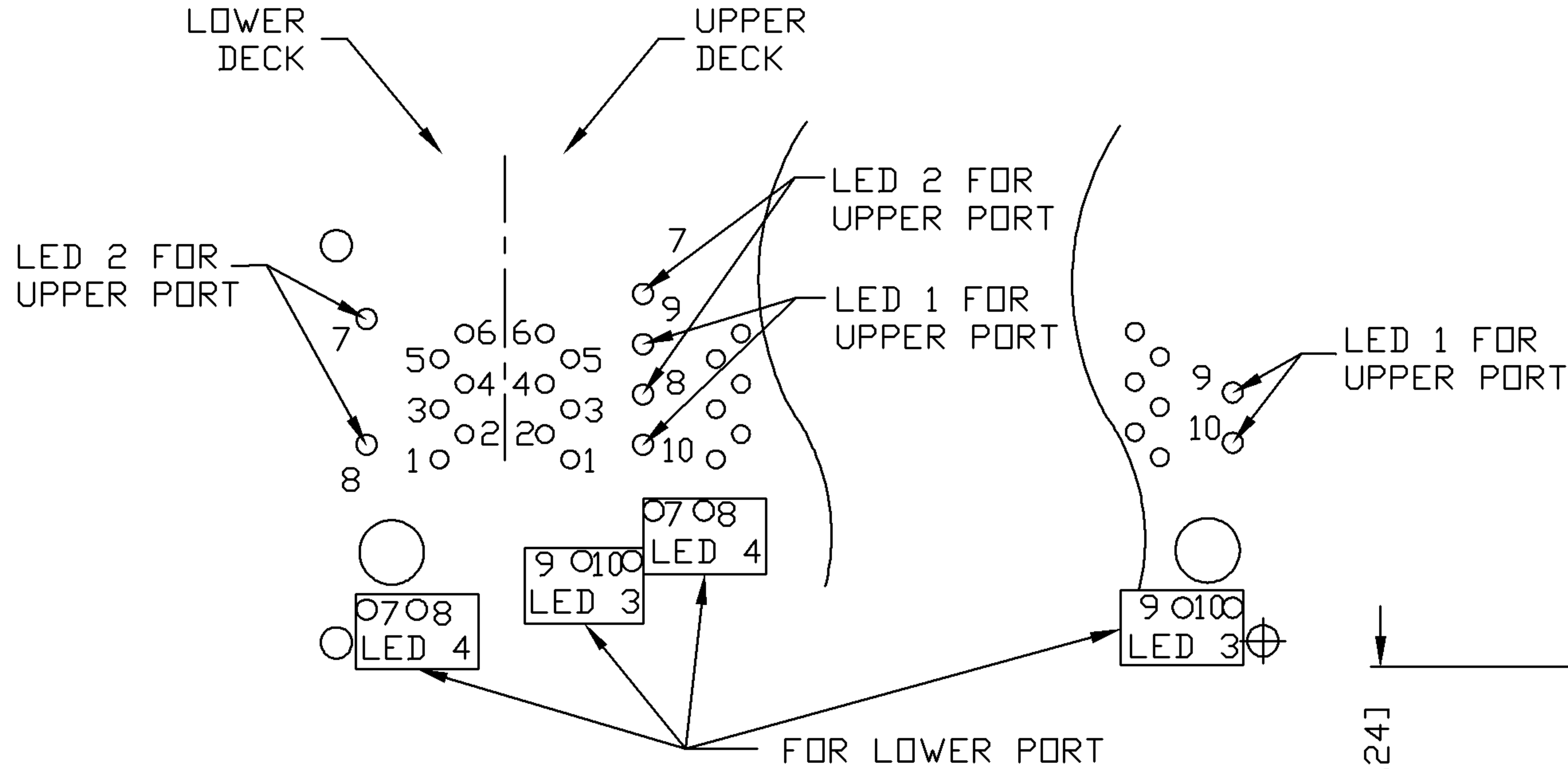
- [1] JACK CAVITY CONFORMS TO FCC RULES AND REGULATIONS, PART 68 SUBPART F.
- [2] MARK PART WITH MFG LOGO, MFG NAME, PART NUMBER, AND DATE CODE.
- 3. RoHS COMPLIANCE, PER EU DIRECTIVE 2002/95/EC.
c USUL RECOGNIZED - FILE #E196366 AND E169987.

ORIGINATED BY ANTON LIAO	DATE 12-01-08	TITLE 2X6 MagJack® WITH UPPER AND LOWER LED (4 Cores)	PART NO. / DRAWING NO. 0879-2X6R-Y9	STANDARD DIM. TOL. IN INCH	[] METRIC DIM. AS REFERENCE	
DRAWN BY HOWFAR WEI	DATE 12-01-08		FILE NAME 0879-2X6R-Y9_PB.DWG	.X .XX .XXX	UNIT : INCH [mm] SCALE : N/A	REV. : PB SIZE : A4 PAGE : 3
				±0.010		

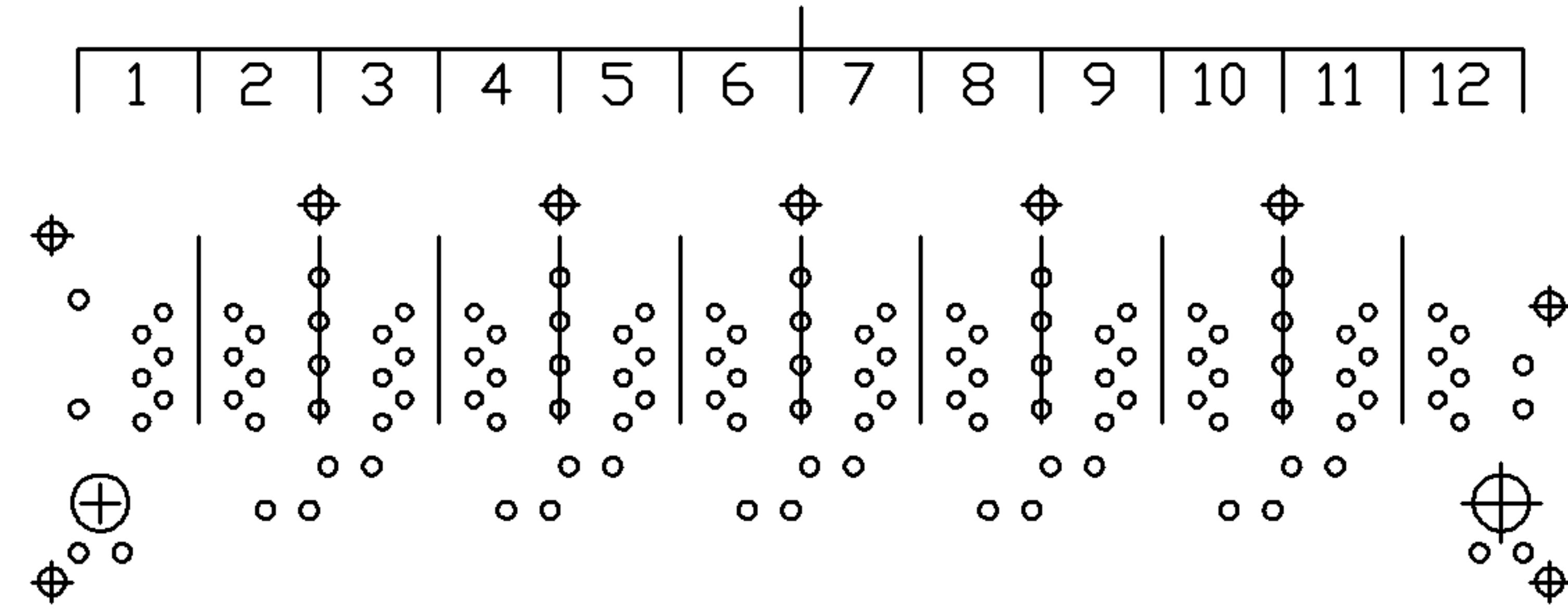


THE INFORMATION CONTAINED HEREIN IS CONSIDERED "PROPRIETARY" TO BEL FUSE INC. AND SHALL NOT BE COPIED, REPRODUCED OR DISCLOSED WITHOUT THE WRITTEN APPROVAL OF BEL FUSE INC.

PRELIMINARY

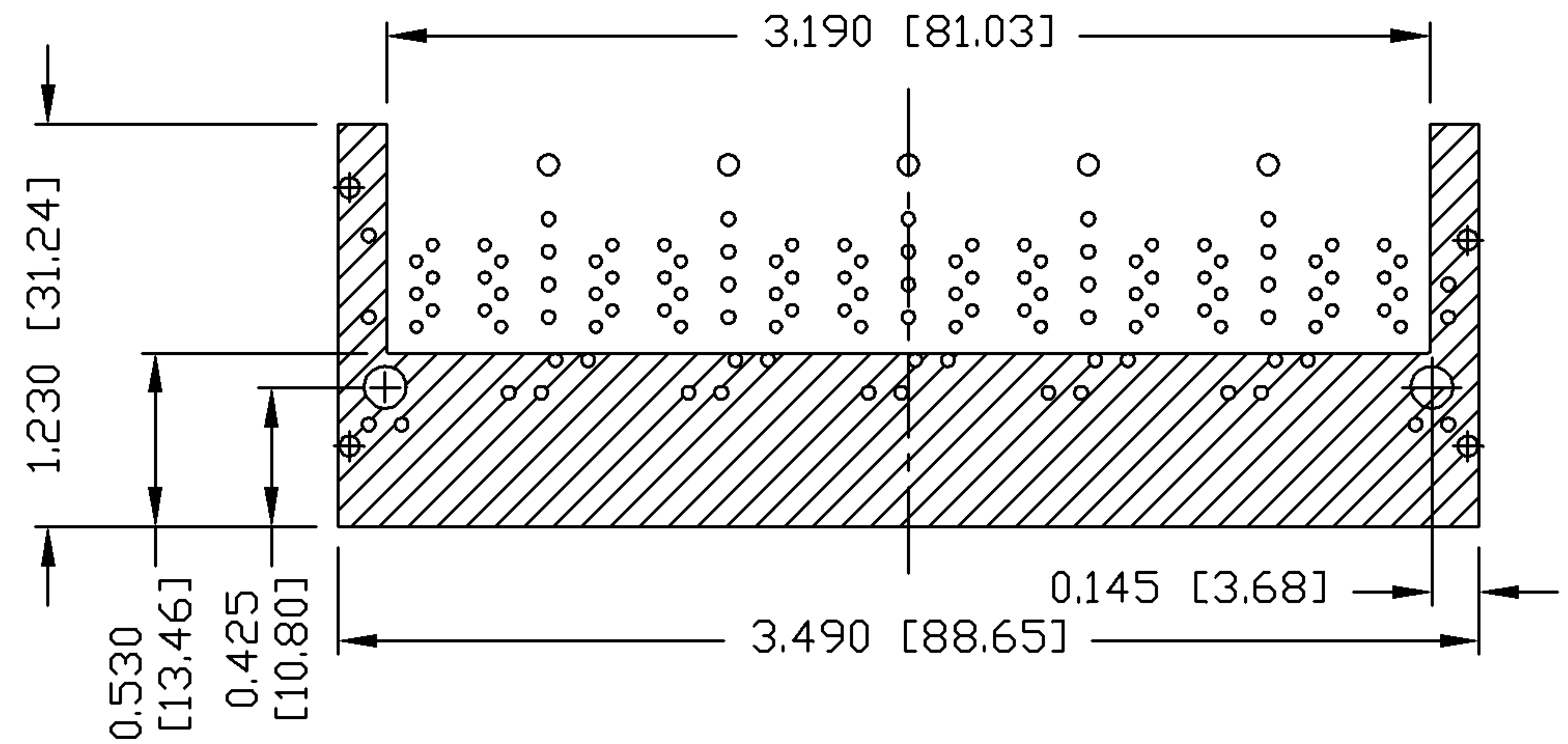


PORT ASSIGNMENT
(COMPONENT SIDE VIEW)



PIN-OUT INFORMATION
(COMPONENT SIDE VIEW)

6	TD-
5	TCT
4	TD+
3	RD-
2	RCT
1	RD+



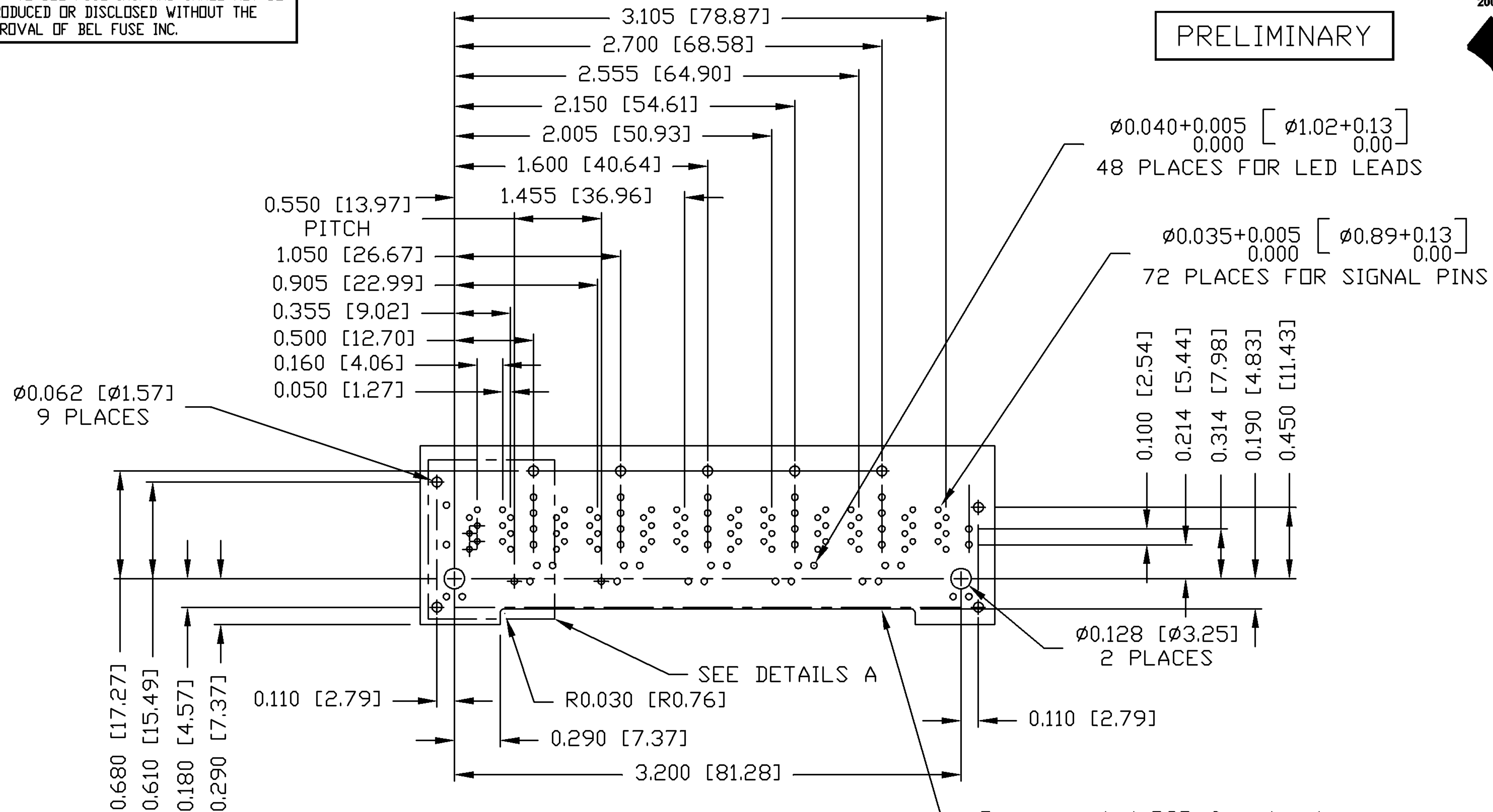
THE SHADED AREA ON THE CUSTOMER BOARD ARE RECOMMENDED TO BE CLEAR OFF ANY VIA HOLE OR COMPONENT PAD.

ORIGINATED BY ANTON LIAO	DATE 12-01-08	TITLE 2X6 MagJack® WITH UPPER AND LOWER LED (4 Cores)	PART NO. / DRAWING NO. 0879-2X6R-Y9	STANDARD DIM. TOL. IN INCH	[] METRIC DIM. AS REFERENCE	 COMPONENTS FOR A CONNECTED PLANET
DRAWN BY HOWFAR WEI	DATE 12-01-08		FILE NAME 0879-2X6R-Y9_PB.DWG	.X	UNIT : INCH [mm]	
			.XX	SCALE : N/A	SIZE : A4	
			.XXX	±0.004	PAGE : 4	

THE INFORMATION CONTAINED HEREIN IS CONSIDERED "PROPRIETARY" TO BEL FUSE INC. AND SHALL NOT BE COPIED, REPRODUCED OR DISCLOSED WITHOUT THE WRITTEN APPROVAL OF BEL FUSE INC.



PRELIMINARY



SUGGESTED FOOTPRINT
(COMPONENT SIDE VIEW)

Recommended PCB front edge cutout. The bottom shield ground tabs (front) should not be seated on the top of the PCB.

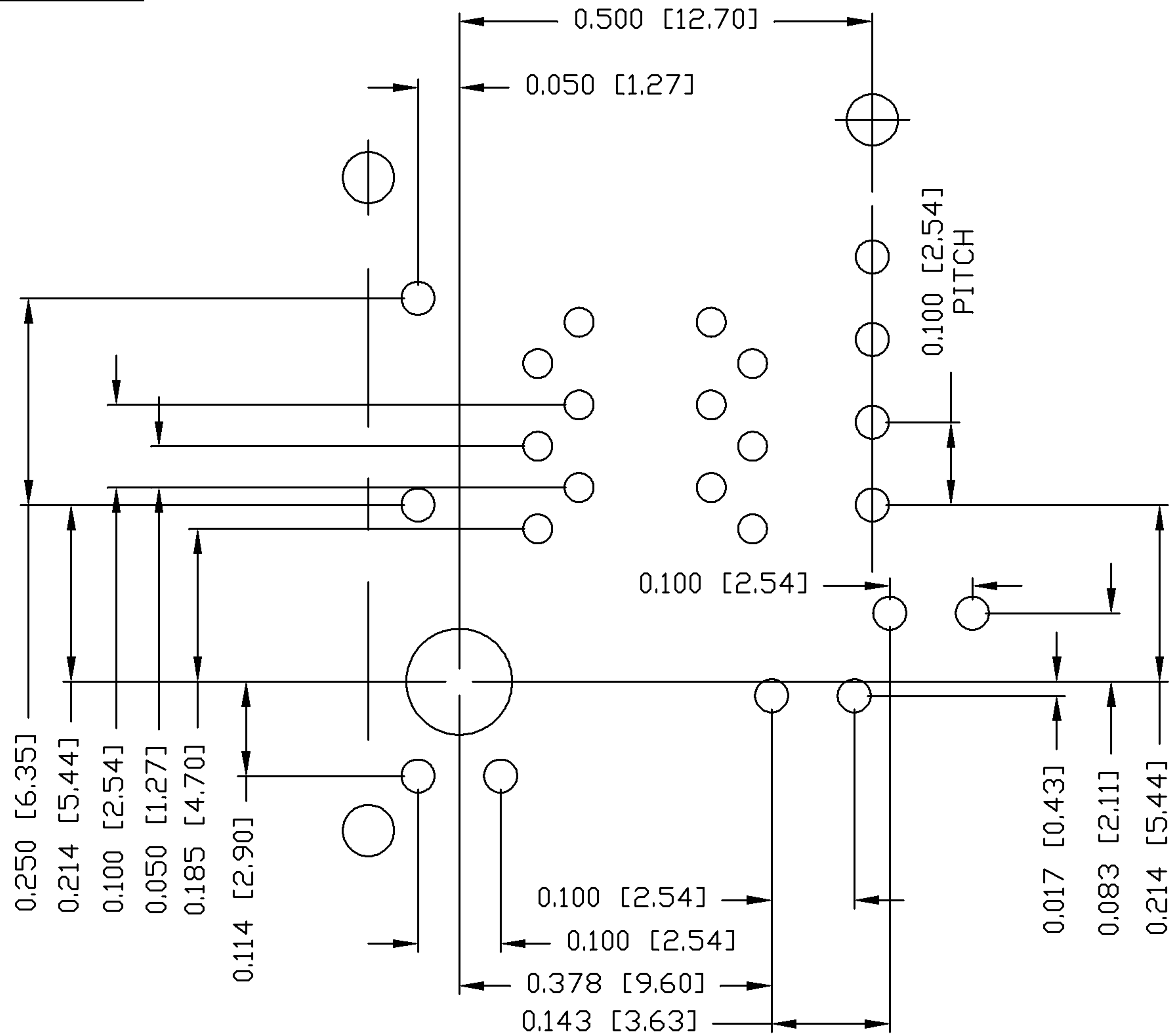
ORIGINATED BY ANTON LIAO	DATE 12-01-08	TITLE 2X6 MagJack® WITH UPPER AND LOWER LED (4 Cores)	PART NO. / DRAWING NO. 0879-2X6R-Y9	STANDARD DIM. TOL. IN INCH	[] METRIC DIM. AS REFERENCE	 COMPONENTS FOR A CONNECTED PLANET	
DRAWN BY HOWFAR WEI	DATE 12-01-08		FILE NAME 0879-2X6R-Y9_PB.DWG	.X	UNIT : INCH [mm]		REV. : PB
				.XX	SCALE : N/A		SIZE : A4
				.XXX ±0.004		PAGE : 5	

THE INFORMATION CONTAINED HEREIN IS CONSIDERED "PROPRIETARY" TO BEL FUSE INC. AND SHALL NOT BE COPIED, REPRODUCED OR DISCLOSED WITHOUT THE WRITTEN APPROVAL OF BEL FUSE INC.

RoHS
2002/95/EC



PRELIMINARY



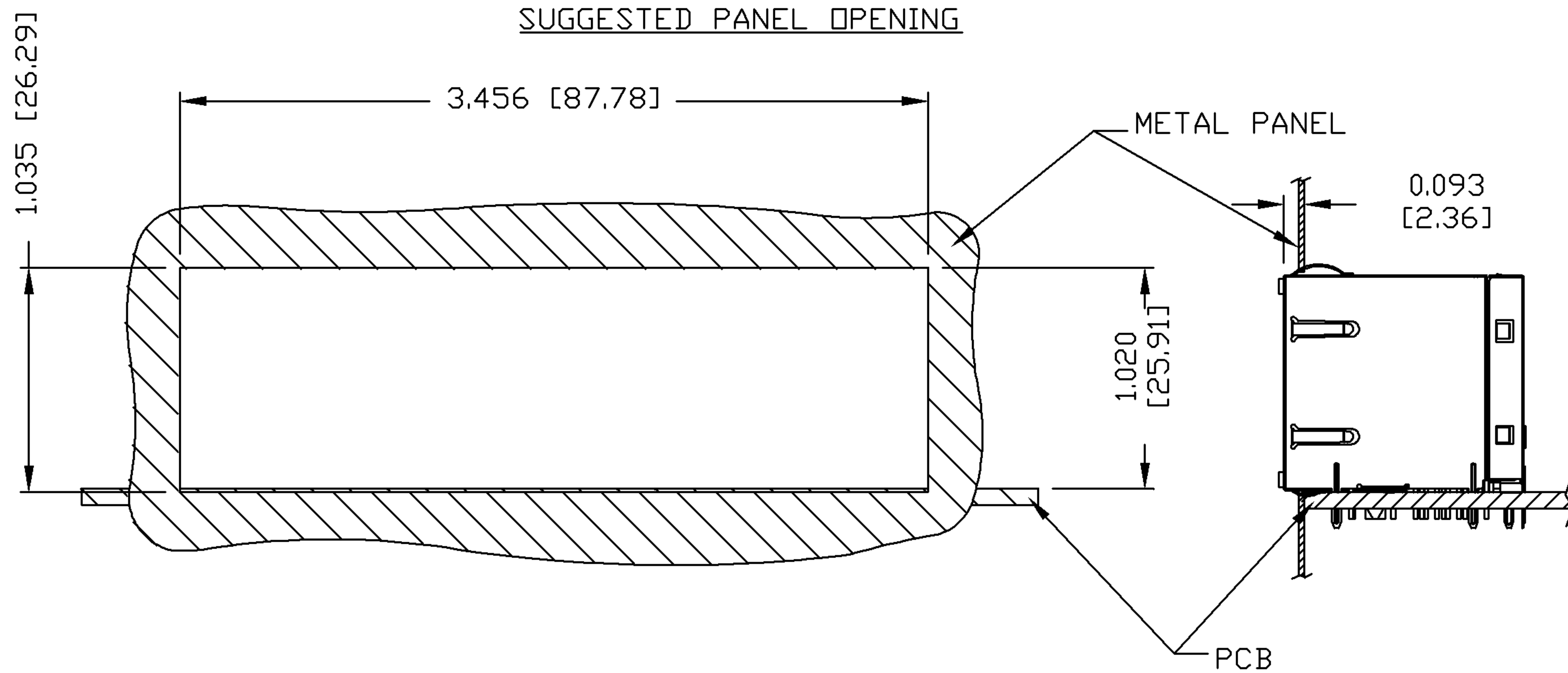
DETAIL A

ORIGINATED BY ANTON LIAO	DATE 12-01-08	TITLE 2X6 MagJack® WIHT UPPER AND LOWER LED (4 Cores)	PART NO. / DRAWING NO. 0879-2X6R-Y9	STANDARD DIM. TOL. IN INCH	[] METRIC DIM. AS REFERENCE
DRAWN BY HOWFAR WEI	DATE 12-01-08		FILE NAME 0879-2X6R-Y9_PB.DWG	.X .XX .XXX	UNIT : INCH [mm] SCALE : N/A



THE INFORMATION CONTAINED HEREIN IS CONSIDERED "PROPRIETARY" TO BEL FUSE INC. AND SHALL NOT BE COPIED, REPRODUCED OR DISCLOSED WITHOUT THE WRITTEN APPROVAL OF BEL FUSE INC.

PRELIMINARY



NOTE:

THE DISTANCE OF PANEL INSIDE SURFACE RELATIVE TO FRONT SURFACE OF PART IS ONLY A SUGGESTION. IN CASE THIS DISTANCE IS DIFFERENT, THE REQUIRED PANEL OPENING DIMENSIONS CHANGE ACCORDINGLY.

PACKING INFORMATION

PACKING TRAY : 0200-9999-P3 (TOP)
0200-9999-P4 (BOTTOM)

PACKING QUANTITY : 14 PCS FINISHED GOODS PER TRAY
7 TRAYS (98 PCS FINISHED GOODS) PER CARTON BOX

NOTE : CARDBOARDS ARE PLACED BETWEEN LAYERS OF PACKING TRAY INSIDE CARTON BOX
(INCLUDE THE UPPERMOST AND LOWERMOST TRAY)

ORIGINATED BY	DATE	TITLE	PART NO. / DRAWING NO.	STANDARD DIM. TOL. IN INCH	[] METRIC DIM. AS REFERENCE
ANTON LIAO	12-01-08	2X6 MagJack® WITH UPPER AND LOWER LED (4 Cores)	0879-2X6R-Y9	.X	UNIT : INCH [mm] REV. : PB
DRAWN BY	DATE		FILE NAME	.XX	SCALE : N/A SIZE : A4
HOWFAR WEI	12-01-08		0879-2X6R-Y9_PB.DWG	.XXX ±0.004	⊕ - - - - PAGE : 7

