

THE INFORMATION CONTAINED HEREIN IS CONSIDERED "PROPRIETARY" TO BEL FUSE INC. AND SHALL NOT BE COPIED, REPRODUCED OR DISCLOSED WITHOUT THE WRITTEN APPROVAL OF BEL FUSE INC.

LED 2 & 4 POLARITY			LED 1 & 3 POLARITY		
PIN 11	PIN 12	COLOR	PIN 13	PIN 14	COLOR
+	-	GREEN	+	-	GREEN

**ELECTRICAL CHARACTERISTICS @ 25°C**

**URNS RATIO**

TP1	1CT : 1CT ±2%
TP2	1CT : 1CT ±2%
TP3	1CT : 1CT ±2%
TP4	1CT : 1CT ±2%

**DCL @ 100kHz/100mVRMS**

8mA DC BIAS	350µH MIN.
-------------	------------

**INS. LOSS**

0.1MHz TO 1MHz	-1.1 dB MAX
1MHz TO 65MHz	-0.5 dB MAX
65MHz TO 100MHz	-0.8 dB MAX
100MHz TO 125MHz	-1.2 dB MAX

**RET. LOSS (MIN) @ 100DHMS ±15%**

0.5MHz-40MHz	-18 dB
40MHz-100MHz	-12+20LOG(f/80MHz) dB

**CM TO CM REJ**

100kHz - 100MHz	-30 dB MIN
-----------------	------------

**CM TO DM REJ**

100kHz - 100MHz	-35 dB MIN
-----------------	------------

**HIPOT (Isolation Voltage):**

RJ1-8 TO SHIELD	1500 Vrms
RJ1-8 TO PIN1-10	1500 Vrms
PIN1-14 TO SHIELD	800 VDC

100% OF PRODUCTION TESTED TO COMPLY WITH IEEE 802.3 ISOLATION REQUIREMENTS.

**LEDS 1, 2, 3 AND 4**

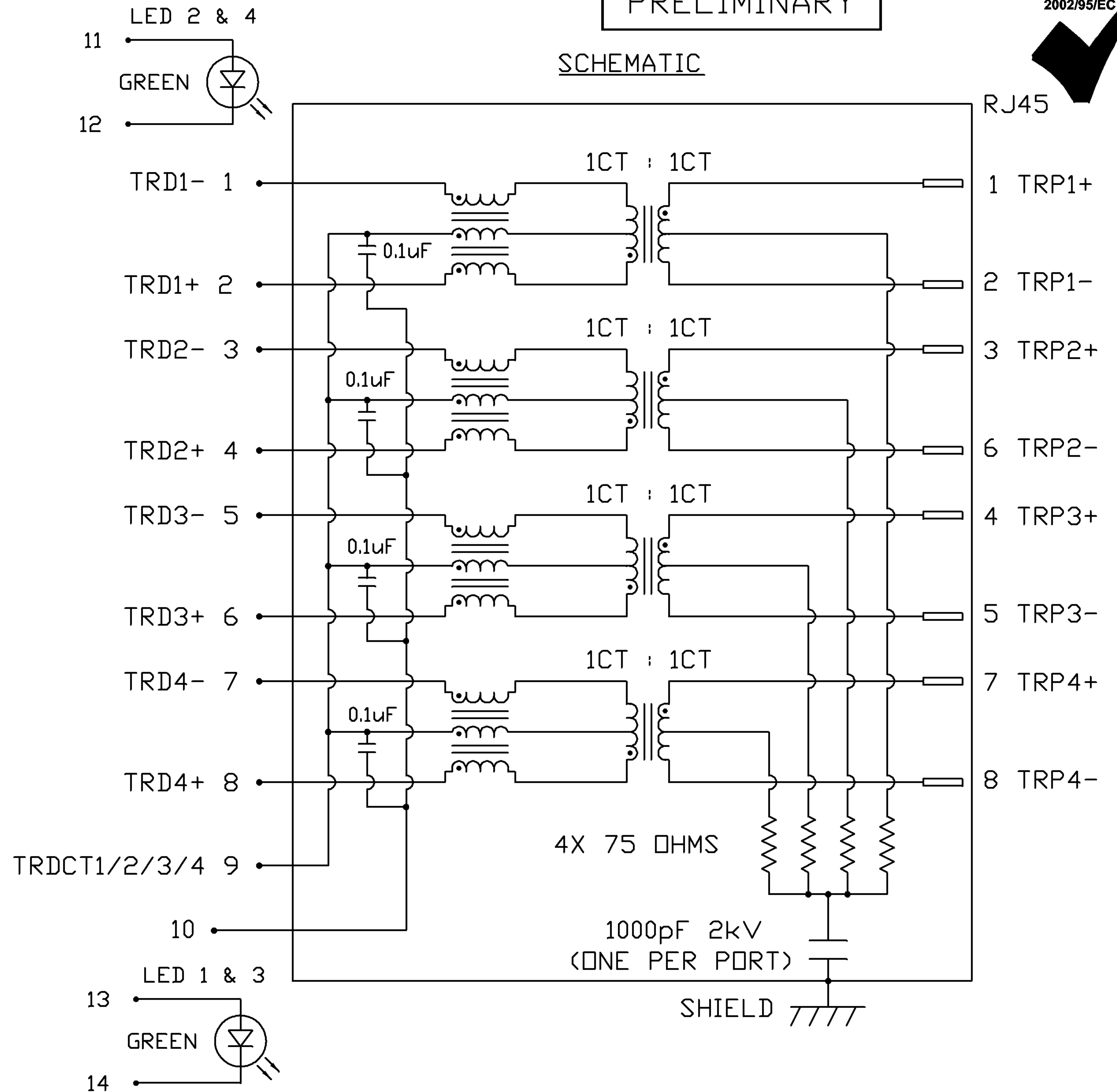
VF (FORWARD VOLTAGE)	IF=20mA GREEN	2.2V TYP.
λD (DOMINANT WAVELENGTH)	IF=20mA GREEN	565nm TYP.
OPERATING TEMPERATURE:	-40°C TO 85°C	

PRELIMINARY

RoHS  
2002/95/EC



**SCHEMATIC**



<b>ORIGINATED BY</b>	<b>DATE</b>
CHOW WANCHUNG	11-29-08
<b>DRAWN BY</b>	<b>DATE</b>
WEIDE LEE	11-29-08

<b>TITLE</b>
2X2 gigabit MagJack® WITH UPPER AND LOWER LED (8 Cores, Extend Temp.)

<b>PART NO. / DRAWING NO.</b>
0879-2G2R-DA
<b>FILE NAME</b>
0879-2G2R-DA_PB.DWG

<b>STANDARD DIM. TOL. IN INCH</b>
.X
.XX
.XXX

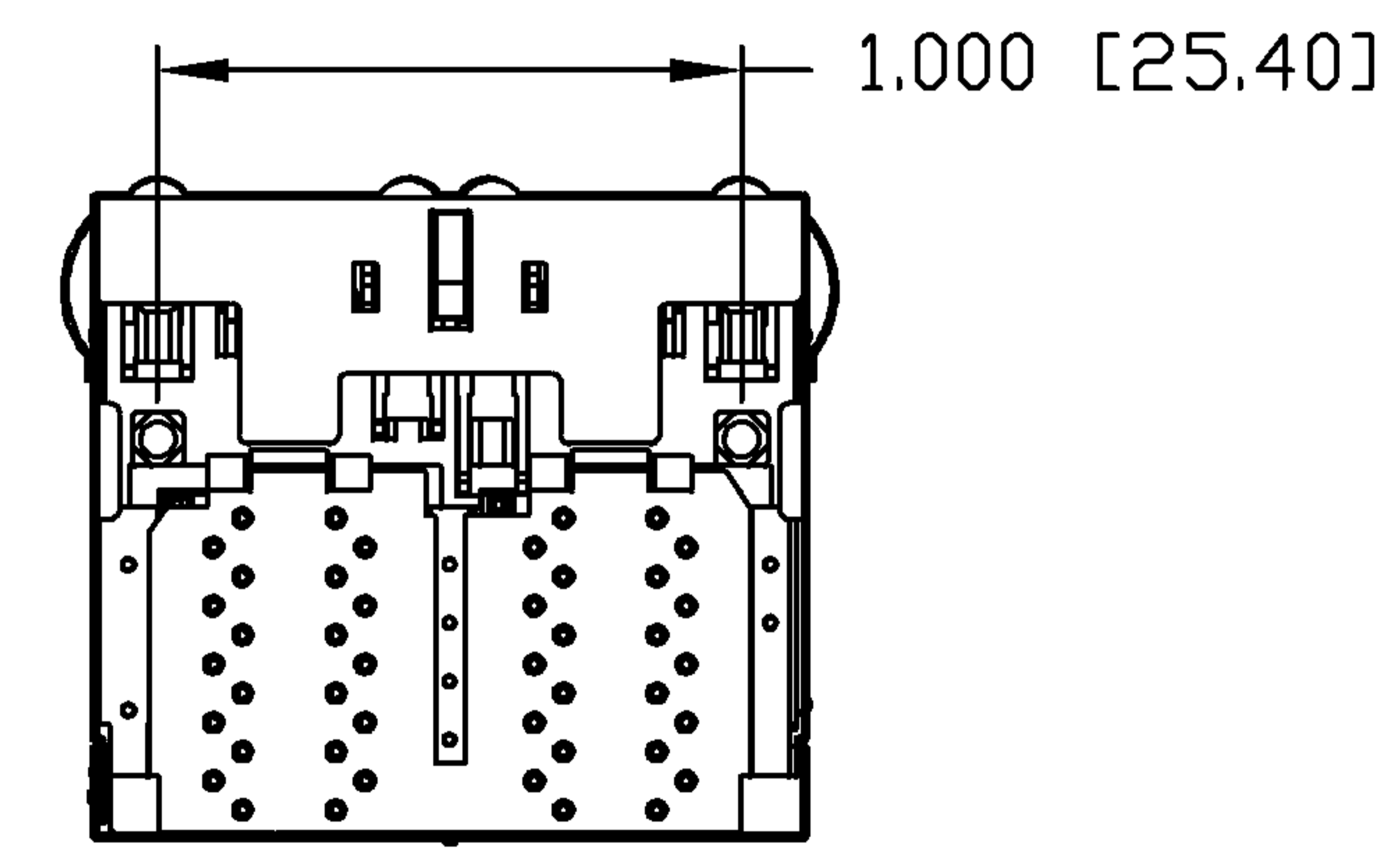
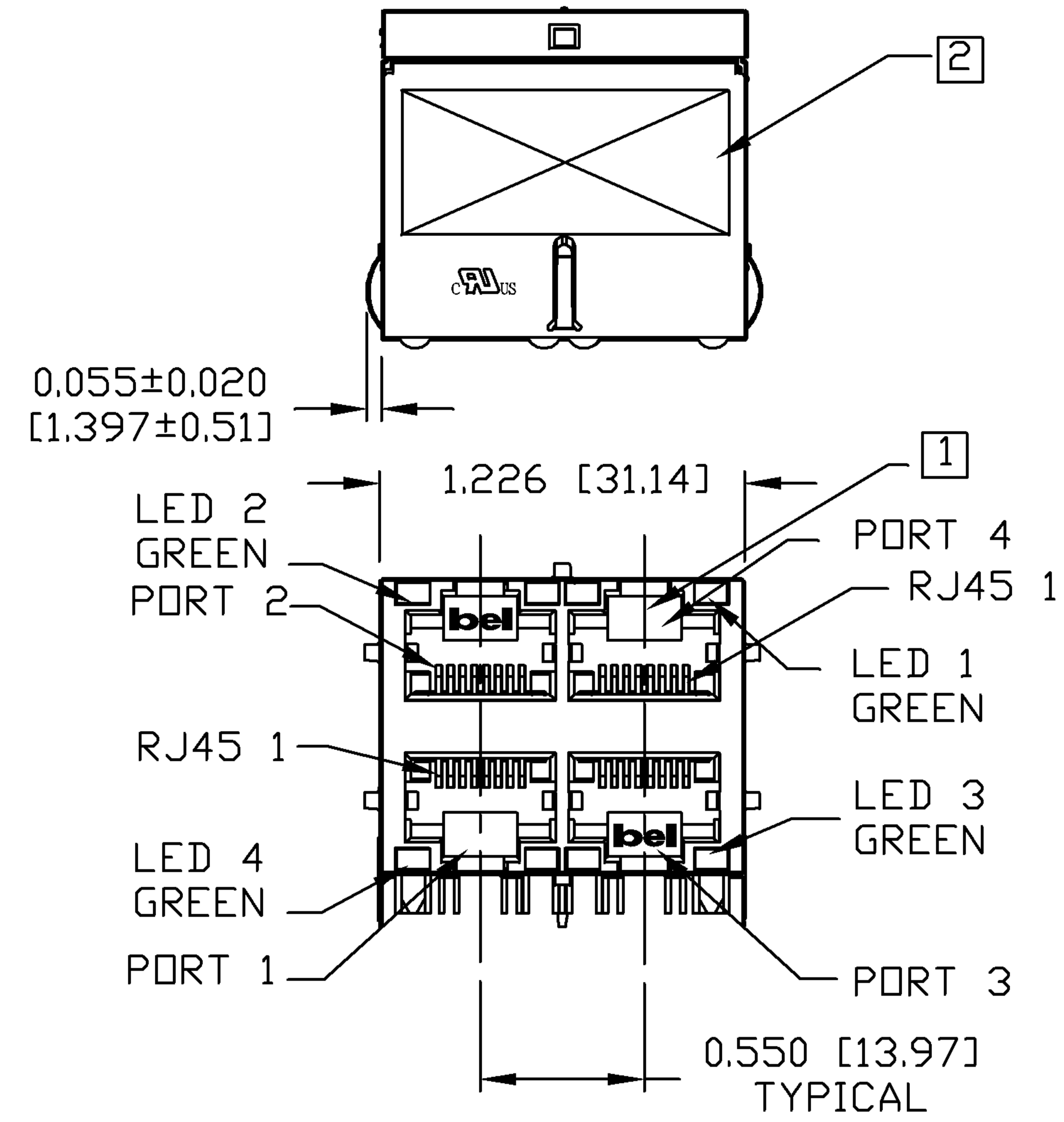
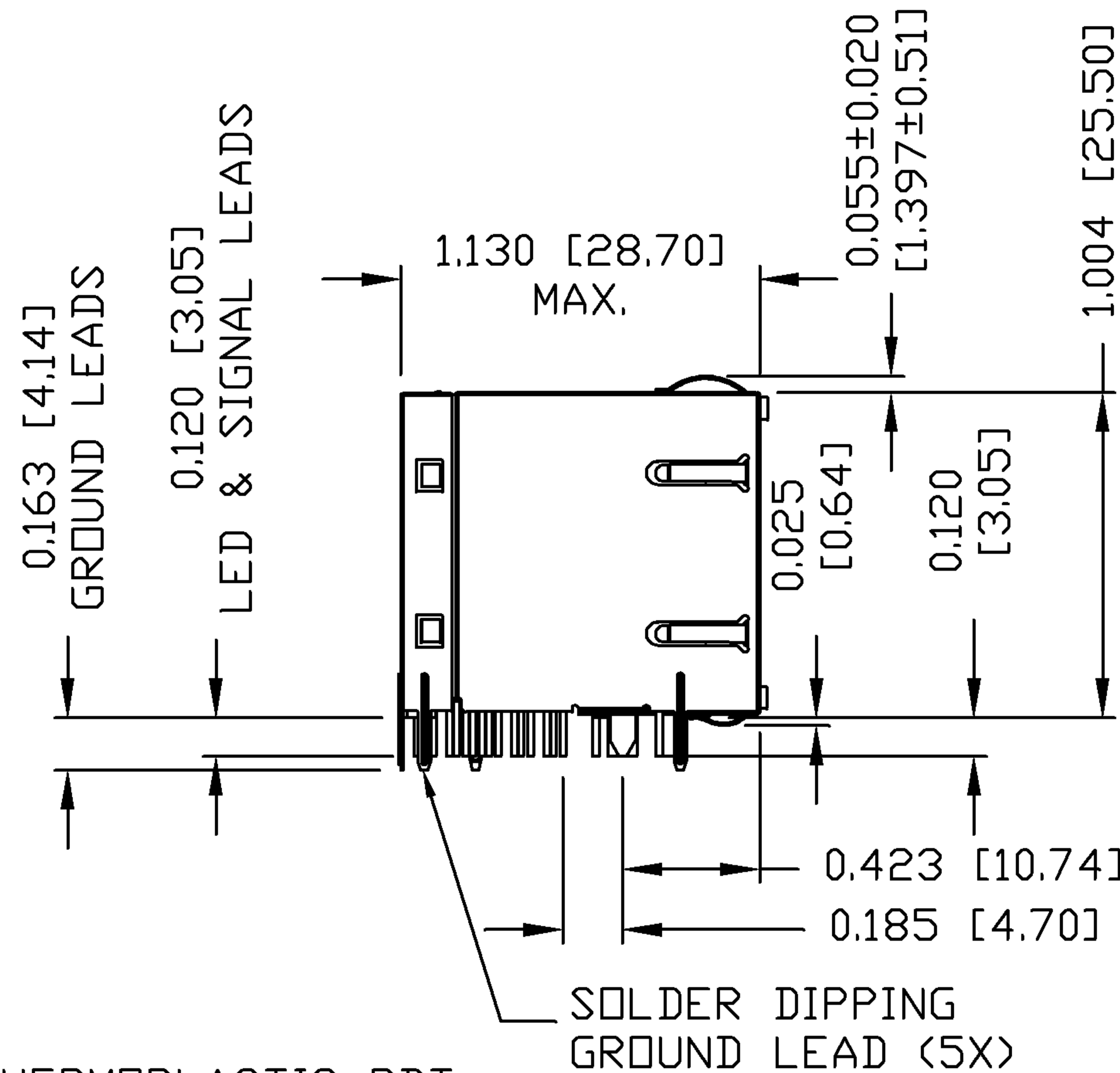
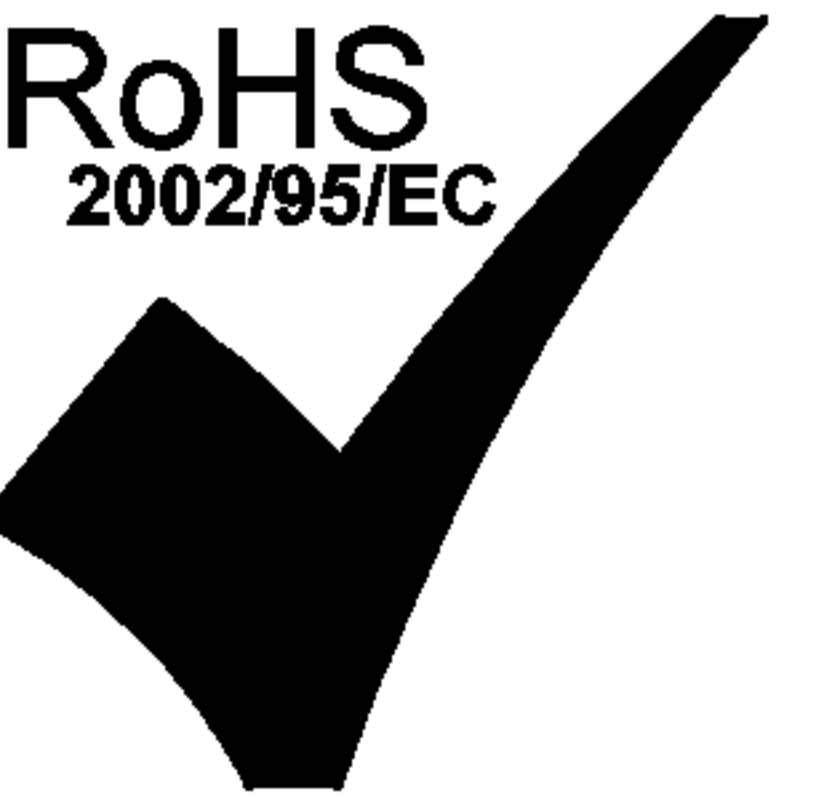
<b>[ ] METRIC DIM. AS REFERENCE</b>	
UNIT : INCH [mm]	REV. : PB
SCALE : N/A	SIZE : A4
	PAGE : 2



THE INFORMATION CONTAINED HEREIN IS CONSIDERED "PROPRIETARY" TO BEL FUSE INC. AND SHALL NOT BE COPIED, REPRODUCED OR DISCLOSED WITHOUT THE WRITTEN APPROVAL OF BEL FUSE INC.

PRELIMINARY

RoHS  
2002/95/EC



NOTES:

- PLASTIC HOUSING: THERMOPLASTIC PBT  
FLAMMABILITY RATING UL 94V-0
- CONTACT PLATING: 50 MICRO-INCH HARD GOLD PLATING
- OUTPUT PINS: TIN-COATED COPPER WIRE, DIA 0.018 INCH.
- METAL SHIELD: NICKEL PLATED ON COPPER ALLOY.  
(ALL GROUND LEADS ARE SOLDER DIPPED)

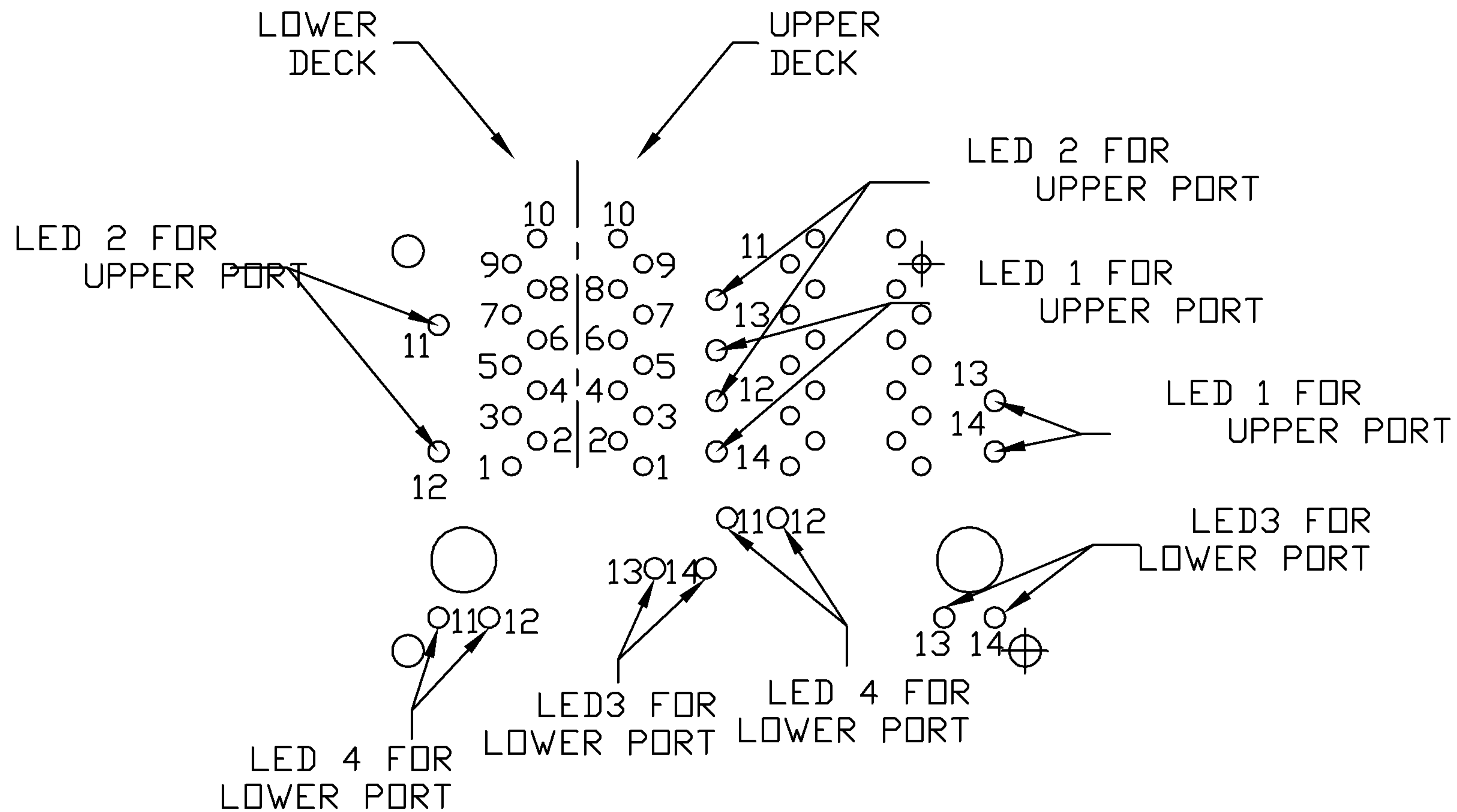
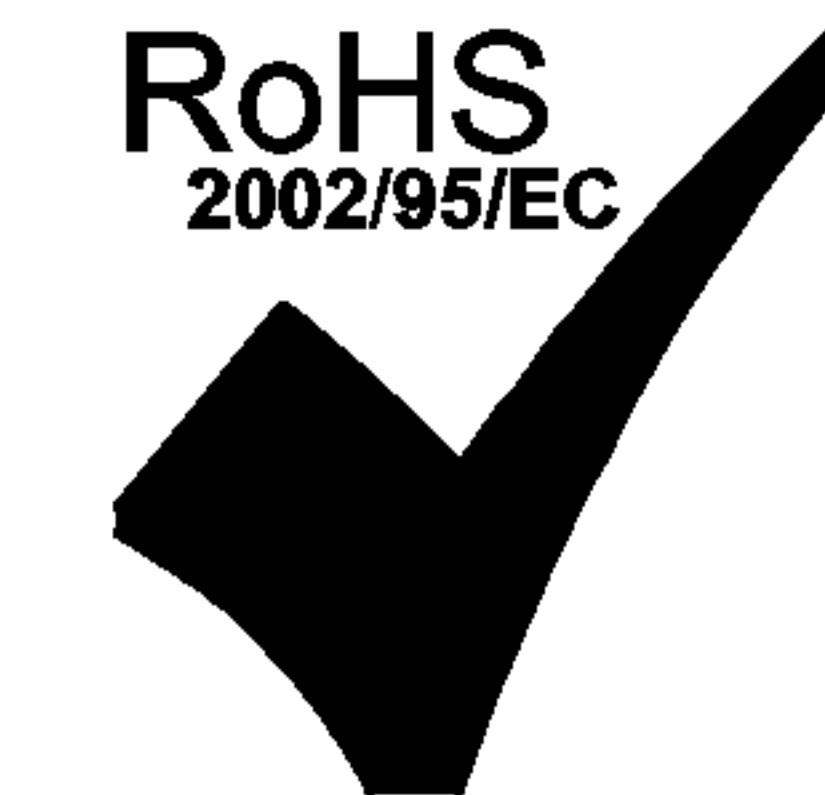
- 1. JACK CAVITY CONFORMS TO FCC RULES AND REGULATIONS, PART 68 SUBPART F.
  - 2. MARK PART WITH MFG LOGO, MFG NAME, PART NUMBER, AND DATE CODE.
  - 3. RoHS COMPLIANCE, PER EU DIRECTIVE 2002/95/EC.
- c us UL RECOGNIZED - FILE #E196366 AND E169987.

ORIGINATED BY DAVID CAO	DATE 11-29-08	TITLE 2X2 gigabit MagJack® WITH UPPER AND LOWER LED (8 Cores, Extend Temp.)	PART NO. / DRAWING NO. 0879-2G2R-DA	STANDARD DIM. TOL. IN INCH	[ ] METRIC DIM. AS REFERENCE	 COMPONENTS FOR A CONNECTED PLANET
DRAWN BY LU XUEPING	DATE 11-29-08	FILE NAME 0879-2G2R-DA_PB.DWG	.X	UNIT : INCH [mm]	REV. : PB	
			.XX	SCALE : N/A	SIZE : A4	
			.XXX ±0.010		PAGE : 3	

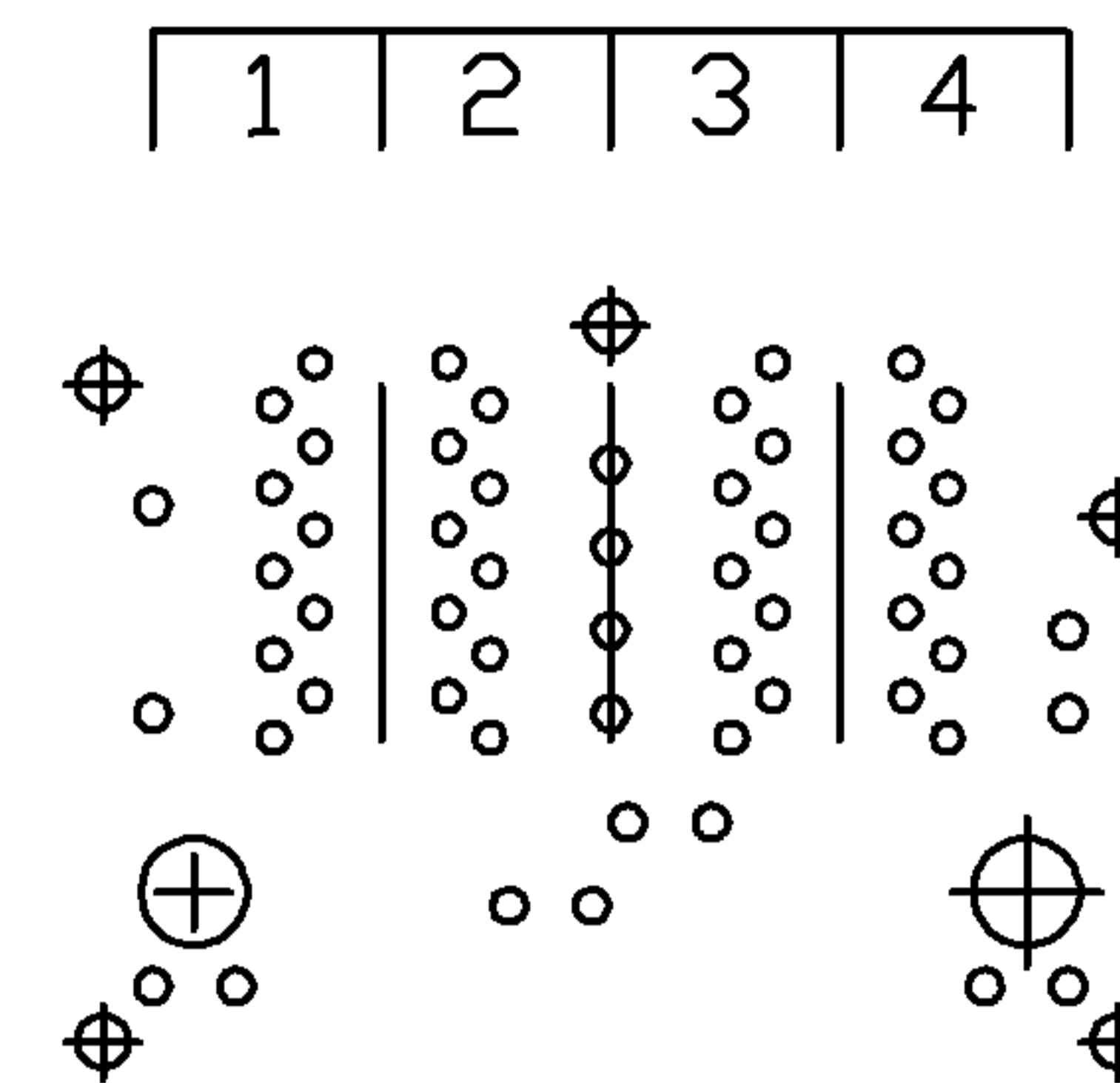
THE INFORMATION CONTAINED HEREIN IS CONSIDERED "PROPRIETARY" TO BEL FUSE INC. AND SHALL NOT BE COPIED, REPRODUCED OR DISCLOSED WITHOUT THE WRITTEN APPROVAL OF BEL FUSE INC.

PRELIMINARY

RoHS  
2002/95/EC

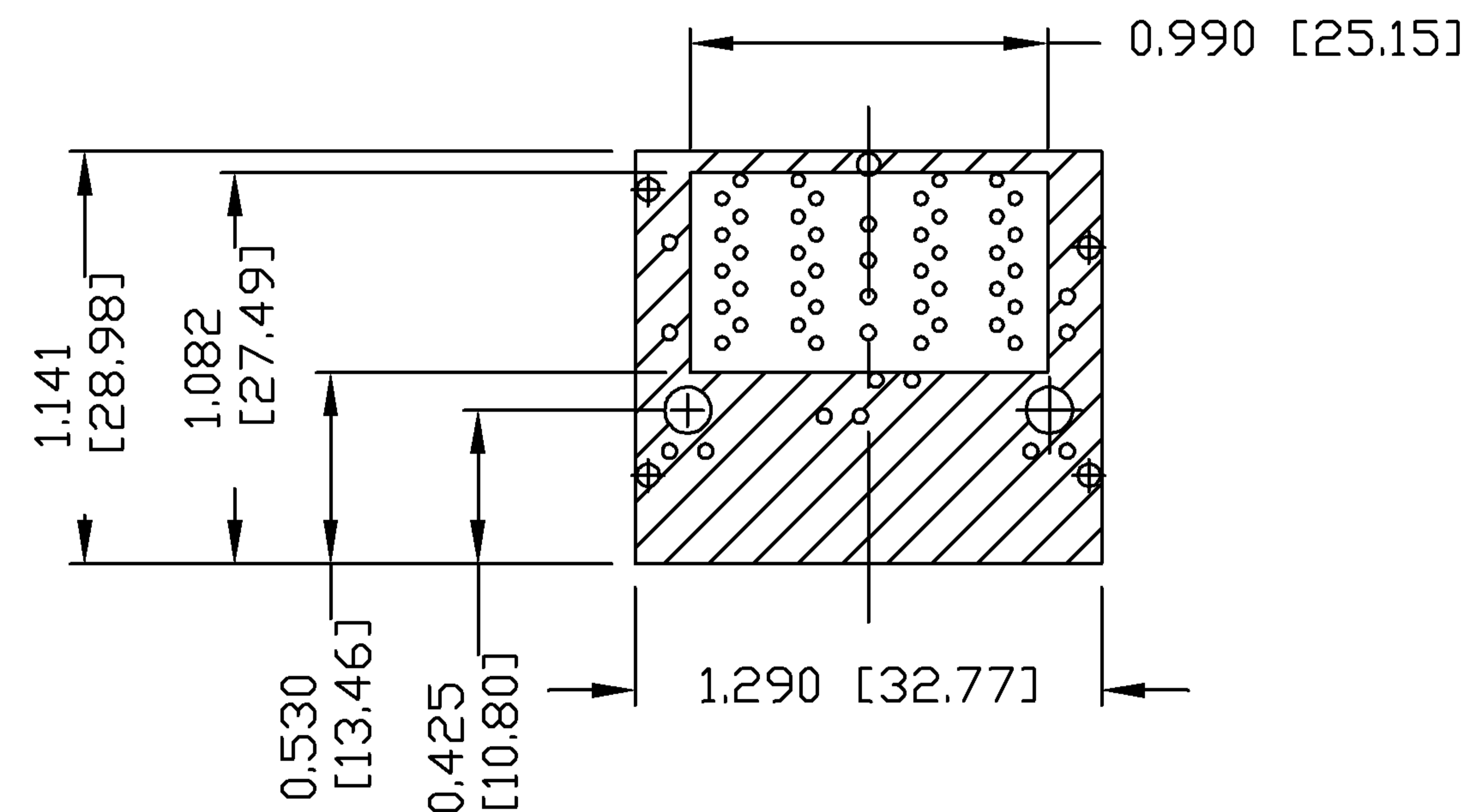


PORT ASSIGNMENT  
(COMPONENT SIDE VIEW)



PIN-OUT INFORMATION  
(COMPONENT SIDE VIEW)

10	GND
9	TRCT1/2/3/4
8	TRD 4+
7	TRD 4-
6	TRD 3+
5	TRD 3-
4	TRD 2+
3	TRD 2-
2	TRD 1+
1	TRD 1-



THE SHADED AREA ON THE CUSTOMER BOARD ARE RECOMMENDED TO BE CLEAR OFF ANY VIA HOLE OR COMPONENT PAD.

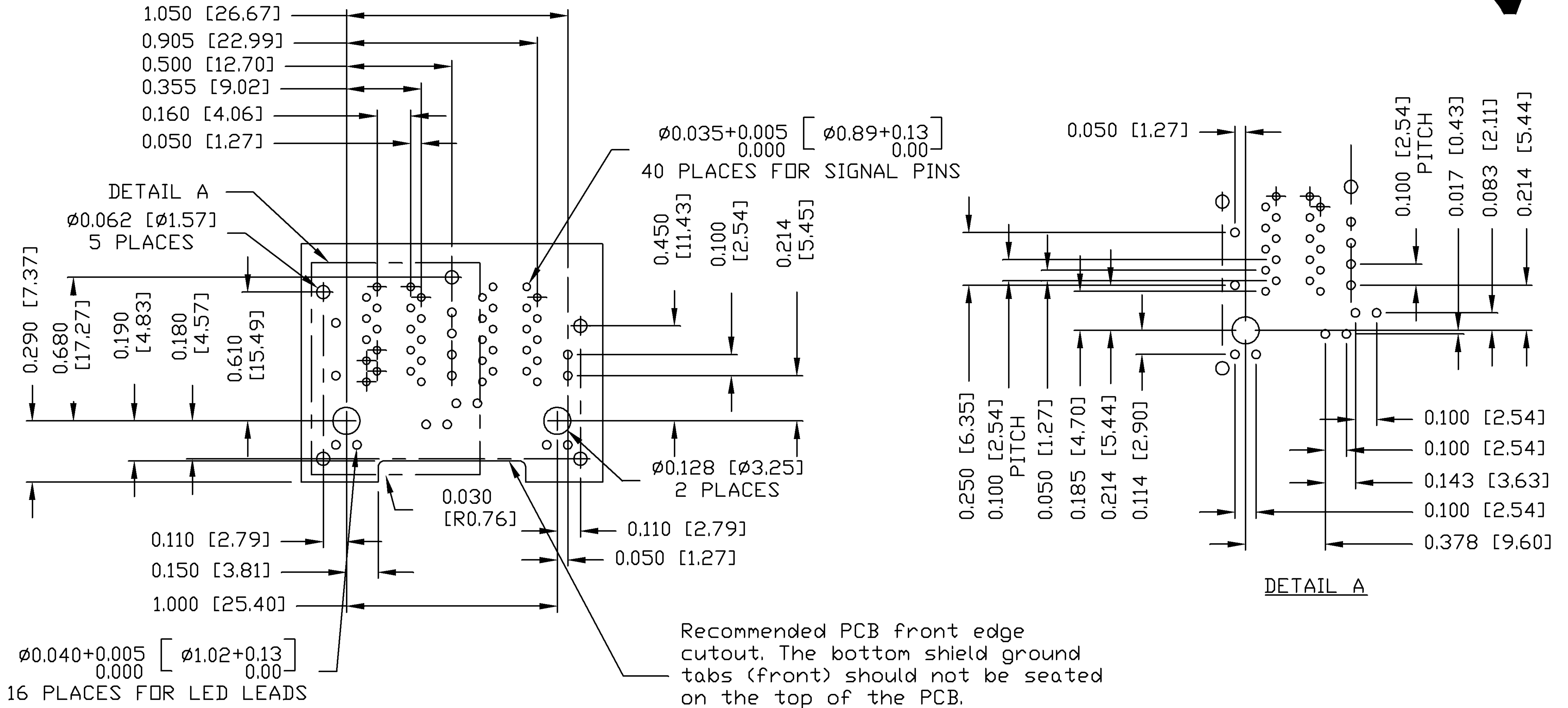
ORIGINATED BY DAVID CAO	DATE 11-29-08	TITLE 2X2 gigabit MagJack® WITH UPPER AND LOWER LED (8 Cores, Extend Temp.)	PART NO. / DRAWING NO. 0879-2G2R-DA	STANDARD DIM. TOL. IN INCH	[ ] METRIC DIM. AS REFERENCE
DRAWN BY LU XUEPING	DATE 11-29-08		FILE NAME 0879-2G2R-DA_PB.DWG	.X .XX .XXX	±0.004



THE INFORMATION CONTAINED HEREIN IS CONSIDERED "PROPRIETARY" TO BEL FUSE INC. AND SHALL NOT BE COPIED, REPRODUCED OR DISCLOSED WITHOUT THE WRITTEN APPROVAL OF BEL FUSE INC.

PRELIMINARY

RoHS  
2002/95/EC

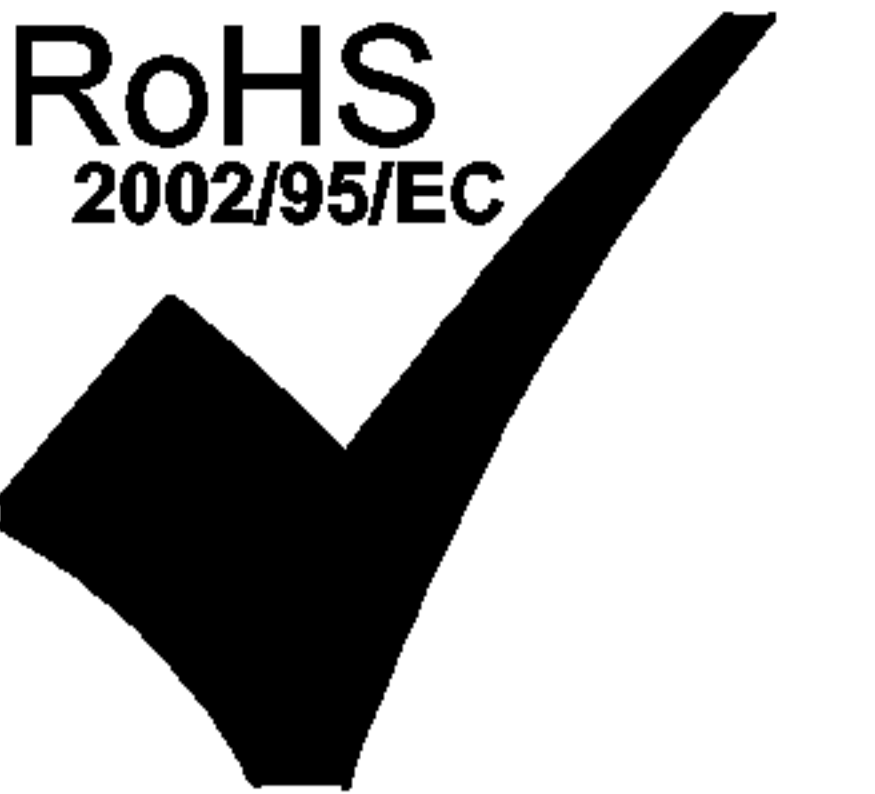


SUGGESTED FOOTPRINT  
(COMPONENT SIDE VIEW)

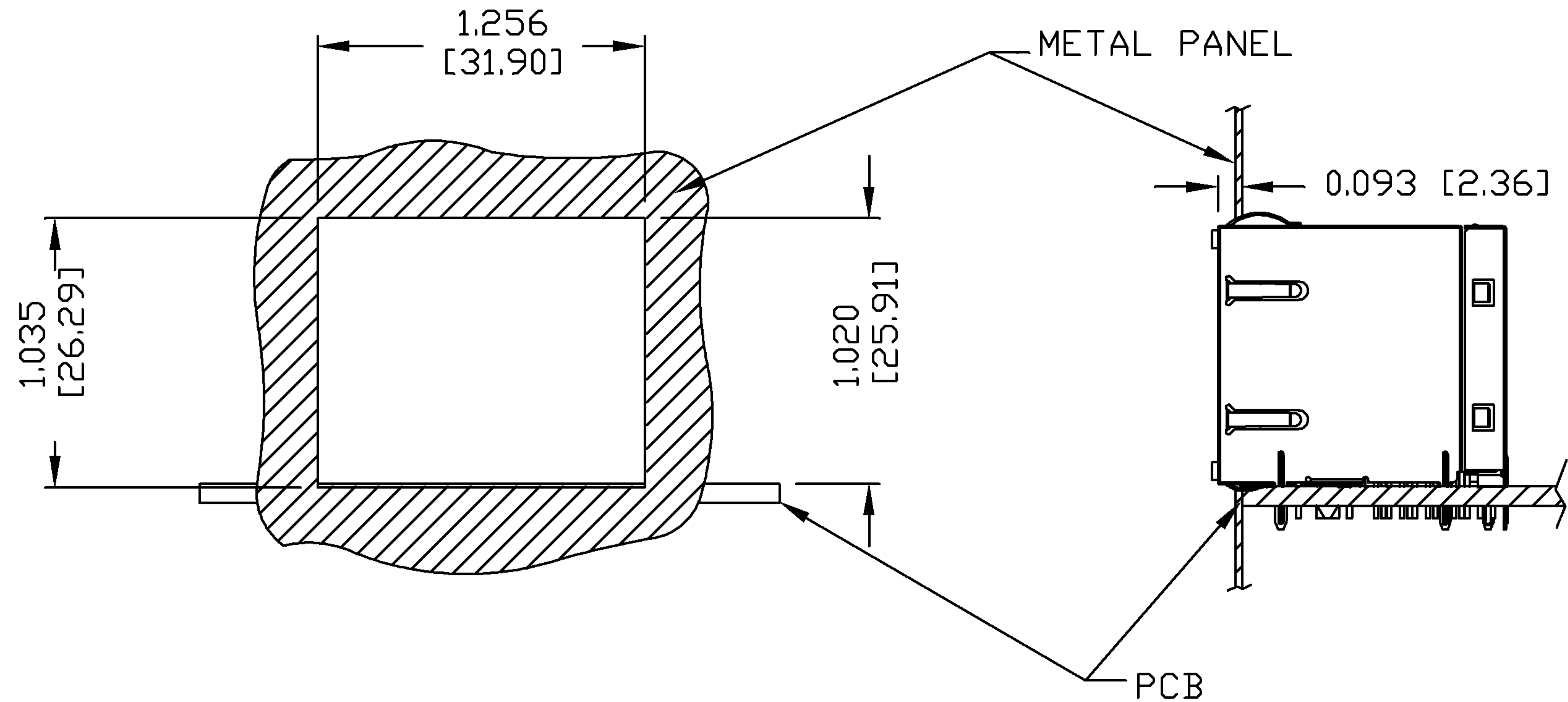
ORIGINATED BY DAVID CAO	DATE 11-29-08	TITLE 2X2 gigabit MagJack® WITH UPPER AND LOWER LED (8 Cores, Extend Temp.)	PART NO. / DRAWING NO. 0879-2G2R-DA	STANDARD DIM. TOL. IN INCH	[ ] METRIC DIM. AS REFERENCE	 COMPONENTS FOR A CONNECTED PLANET
DRAWN BY LU XUEPING	DATE 11-29-08		FILE NAME 0879-2G2R-DA_PB.DWG	.X	UNIT : INCH [mm]	
			.XX	SCALE : N/A	SIZE : A4	
			.XXX	±0.004	PAGE : 5	

THE INFORMATION CONTAINED HEREIN IS CONSIDERED "PROPRIETARY" TO BEL FUSE INC. AND SHALL NOT BE COPIED, REPRODUCED OR DISCLOSED WITHOUT THE WRITTEN APPROVAL OF BEL FUSE INC.

PRELIMINARY



SUGGESTED PANEL OPENING



NOTE:

THE DISTANCE OF PANEL INSIDE SURFACE RELATIVE TO FRONT SURFACE OF PART IS ONLY A SUGGESTION. IN CASE THIS DISTANCE IS DIFFERENT, THE REQUIRED PANEL OPENING DIMENSIONS CHANGE ACCORDINGLY.

PACKING INFORMATION

PACKING TRAY : 0200-9999-P5 (TOP)  
0200-9999-P6 (BOTTOM)

PACKING QUANTITY : 28 PCS FINISHED GOODS PER TRAY  
7 TRAYS (196 PCS FINISHED GOODS) PER CARTON BOX

NOTE : CARDBOARDS ARE PLACED BETWEEN LAYERS OF PACKING TRAY INSIDE CARTON BOX  
(INCLUDE THE UPPERMOST AND LOWERMOST TRAY)

ORIGINATED BY DAVID CAO	DATE 11-29-08	TITLE 2X2 gigabit MagJack® WITH UPPER AND LOWER LED (8 Cores, Extend Temp.)	PART NO. / DRAWING NO. 0879-2G2R-DA	STANDARD DIM. TOL. IN INCH	[ ] METRIC DIM. AS REFERENCE	 COMPONENTS FOR A CONNECTED PLANET
DRAWN BY LU XUEPING	DATE 11-29-08	FILE NAME 0879-2G2R-DA_PB.DWG	.X	UNIT : INCH [mm]	REV. : PB	
			.XX	SCALE : N/A	SIZE : A4	
			.XXX ±0.004		PAGE : 6	