

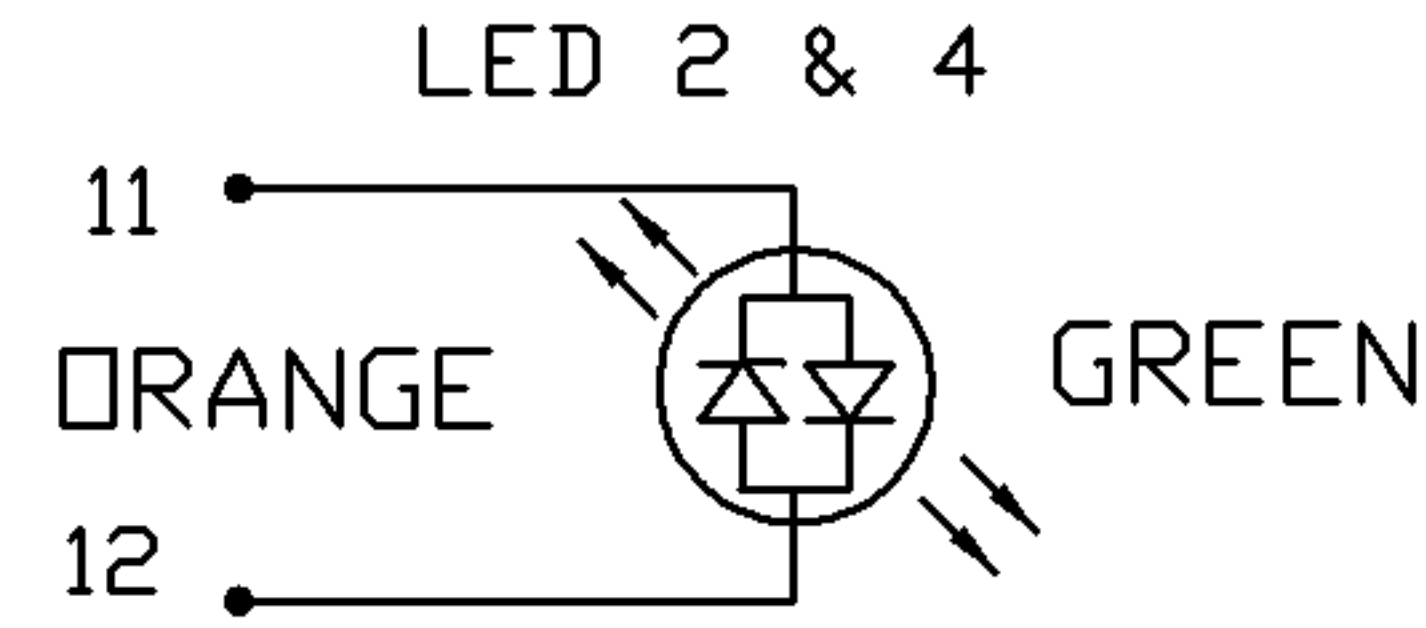
THE INFORMATION CONTAINED HEREIN IS CONSIDERED "PROPRIETARY" TO BEL FUSE INC. AND SHALL NOT BE COPIED, REPRODUCED OR DISCLOSED WITHOUT THE WRITTEN APPROVAL OF BEL FUSE INC.

RoHS
2002/95/EC



PRELIMINARY

LED 2 & 4 POLARITY			LED 1 & 3 POLARITY		
PIN 11	PIN 12	COLOR	PIN 13	PIN 14	COLOR
-	+	ORANGE	+	-	GREEN
+	-	GREEN			



ELECTRICAL CHARACTERISTICS @ 25°C

URNS RATIO

TP1	1CT : 1CT ±2%
TP2	1CT : 1CT ±2%
TP3	1CT : 1CT ±2%
TP4	1CT : 1CT ±2%

QCL @ 100kHz/100mVRMS

8mA DC BIAS 350µH MIN.

INS. LOSS

0.1MHz TO 1MHz	-1.1 dB MAX
1MHz TO 65MHz	-0.5 dB MAX
65MHz TO 100MHz	-0.8 dB MAX
100MHz TO 125MHz	-1.2 dB MAX

RET. LOSS (MIN)

0.5MHz-40MHz	-18 dB
40MHz-100MHz	-12+20LOG(f/80MHz) dB

CM TO CM REJ

100kHz - 100MHz -30 dB MIN

CM TO DM REJ

100kHz - 100MHz -35 dB MIN

HIPOT (Isolation Voltage):

1500 Vrms

100% OF PRODUCTION TESTED

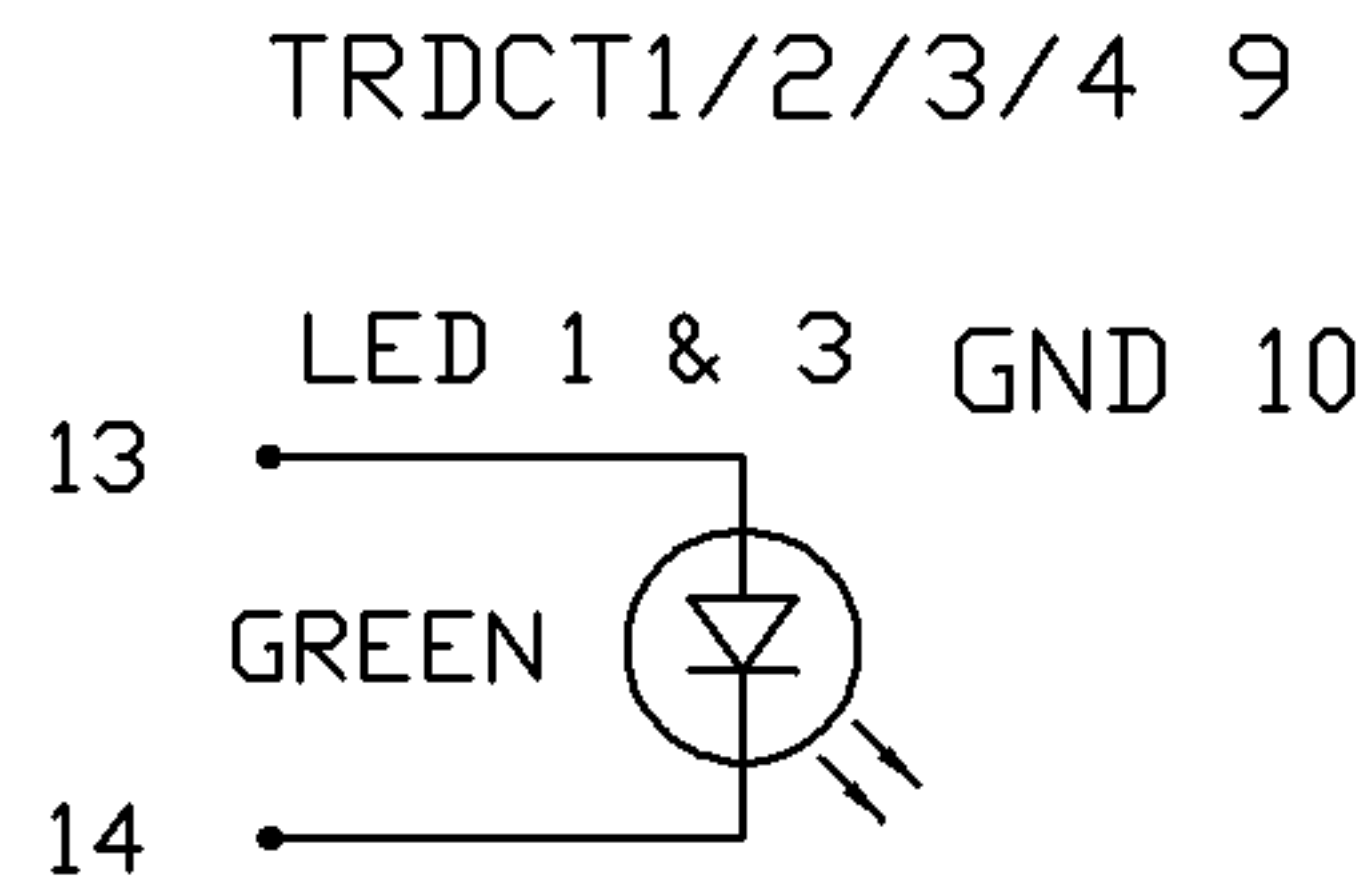
TO COMPLY WITH IEEE 802.3 ISOLATION REQUIREMENTS

LED 2 & 4

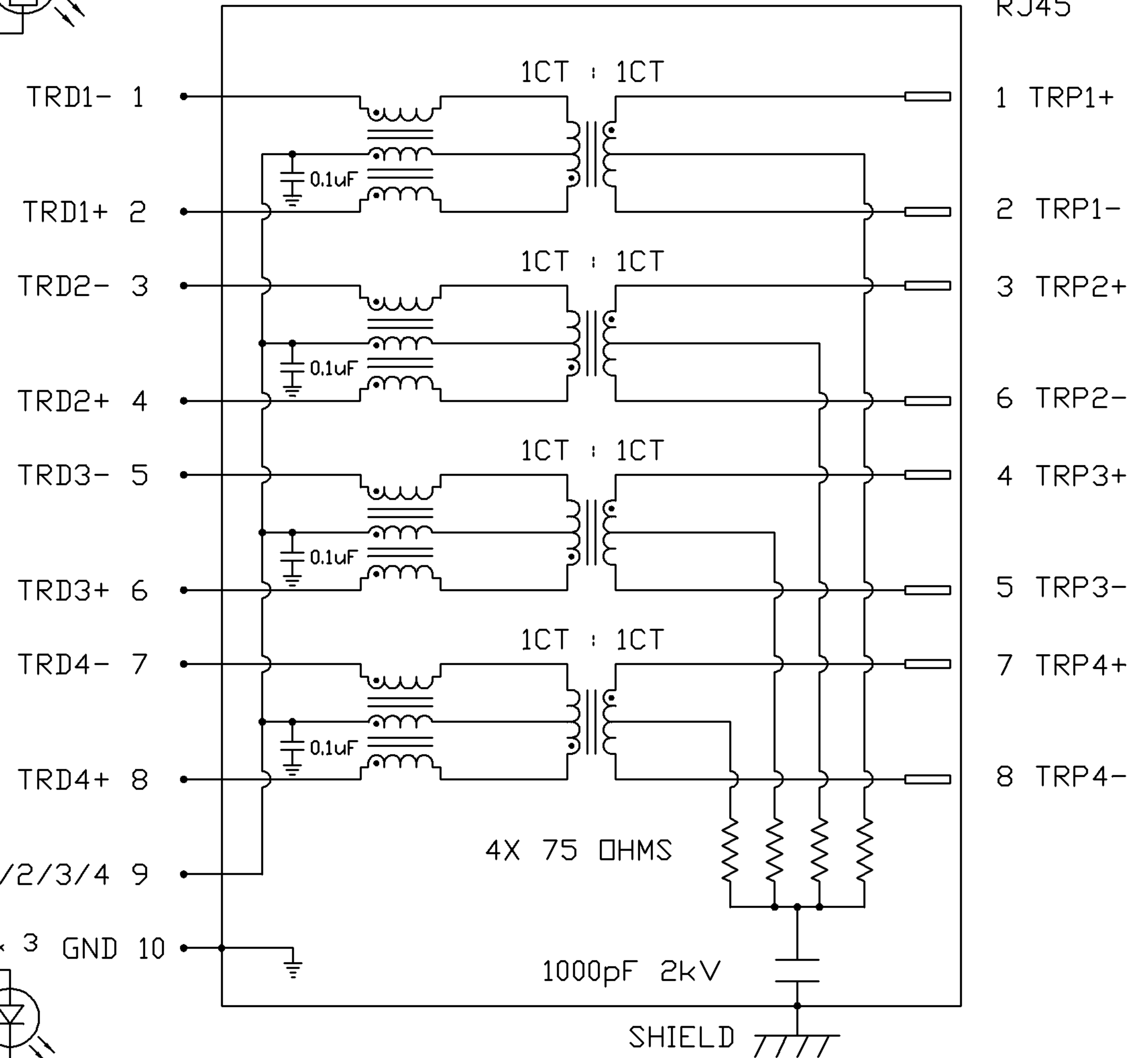
VF (FORWARD VOLTAGE)	IF=20mA	GREEN	2.2V TYP.
		ORANGE	2.0V TYP.
λD (DOMINANT WAVELENGTH)	IF=20mA	GREEN	565nm TYP.
		ORANGE	610nm TYP.

LED 1 & 3

VF (FORWARD VOLTAGE)	IF=20mA	GREEN	2.2V TYP.
λD (DOMINANT WAVELENGTH)	IF=20mA	GREEN	565nm TYP.



SCHEMATIC



RJ45

1 TRP1+

2 TRP1-

3 TRP2+

6 TRP2-

4 TRP3+

5 TRP3-

7 TRP4+

8 TRP4-

ORIGINATED BY	DATE
CHOW WANCHUNG	12-01-08
DRAWN BY	DATE
LEE WEIDE	12-01-08

TITLE
2X6 gigabit MagJack® WITH UPPER AND LOWER LED (8 Cores)

PART NO. / DRAWING NO.
0879-2E6R-54
FILE NAME
0879-2E6R-54_PB.DWG

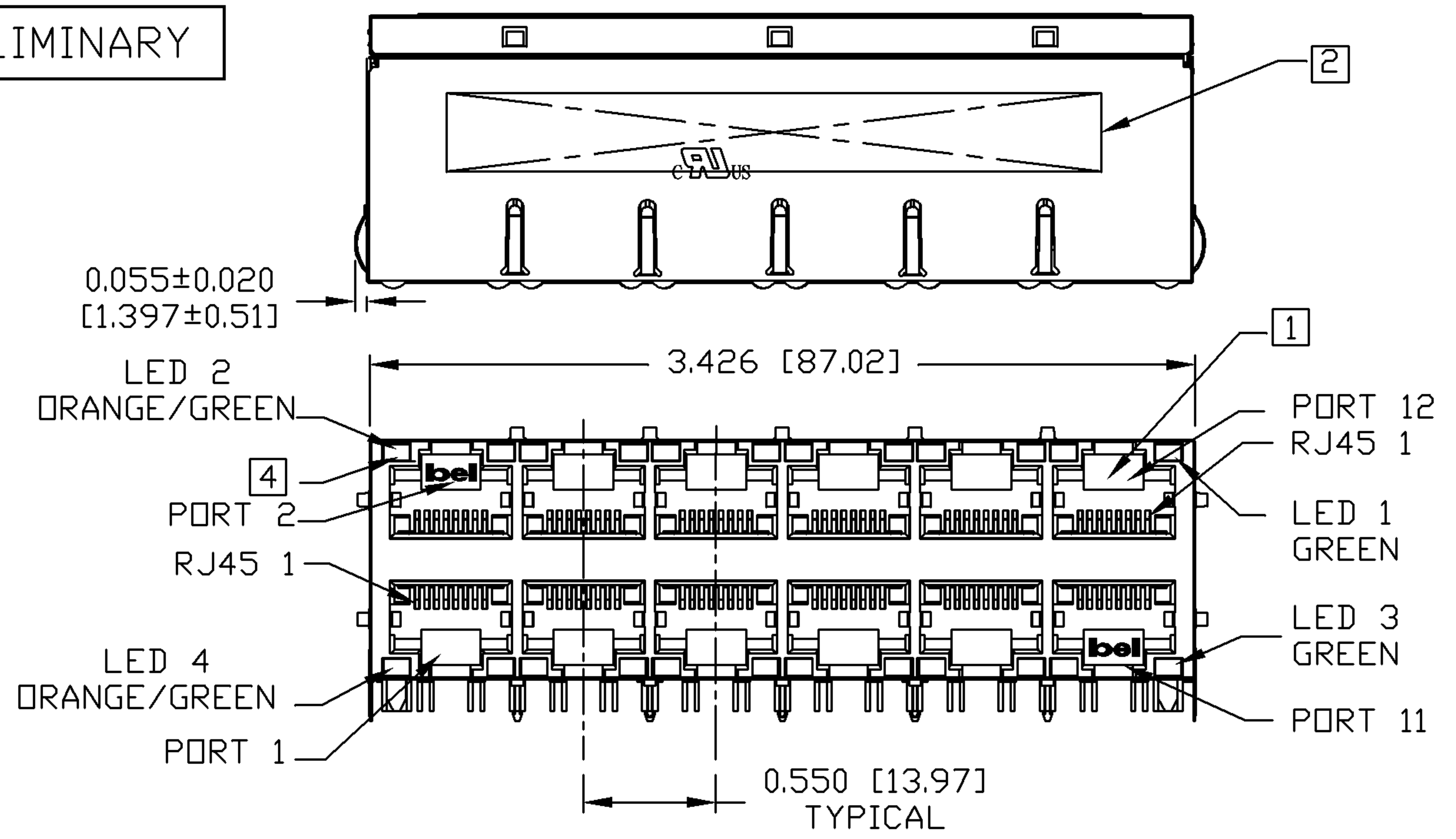
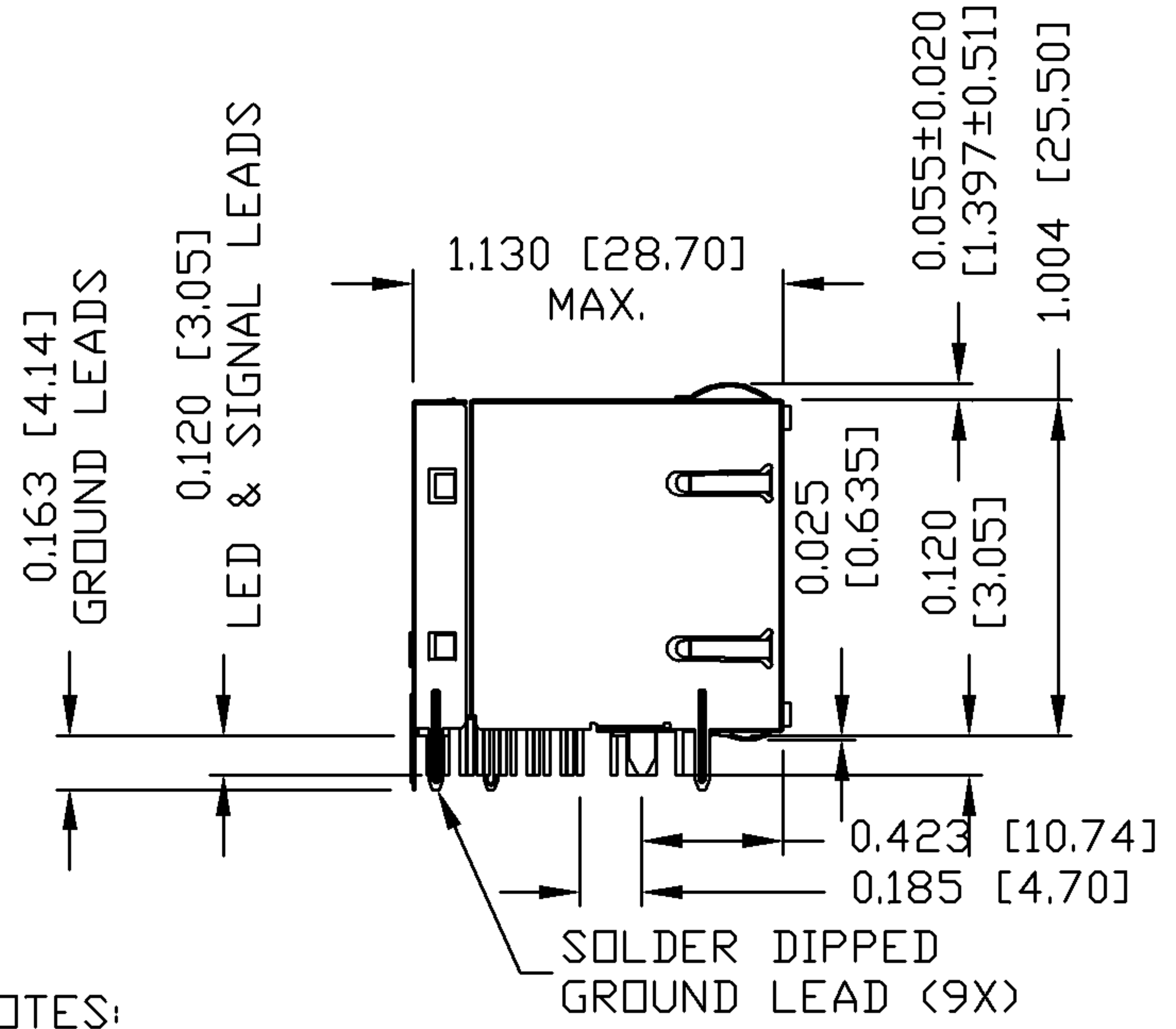
STANDARD DIM. TOL. IN INCH
.X
.XX
.XXX

[] METRIC DIM. AS REFERENCE
UNIT : INCH [mm]
SCALE : N/A
REV. : PB
SIZE : A4
PAGE : 2



THE INFORMATION CONTAINED HEREIN IS CONSIDERED "PROPRIETARY" TO BEL FUSE INC. AND SHALL NOT BE COPIED, REPRODUCED OR DISCLOSED WITHOUT THE WRITTEN APPROVAL OF BEL FUSE INC.

PRELIMINARY



NOTES:

- PLASTIC HOUSING: THERMOPLASTIC PBT
FLAMMABILITY RATING UL 94V-0
- CONTACT PLATING: 50 MICRO-INCH HARD GOLD PLATING
- OUTPUT PINS: TIN-COATED COPPER WIRE, DIA 0.018 INCH.
- METAL SHIELD: NICKEL PLATED ON COPPER ALLOY.
(ALL GROUND LEADS ARE SOLDER DIPPED)

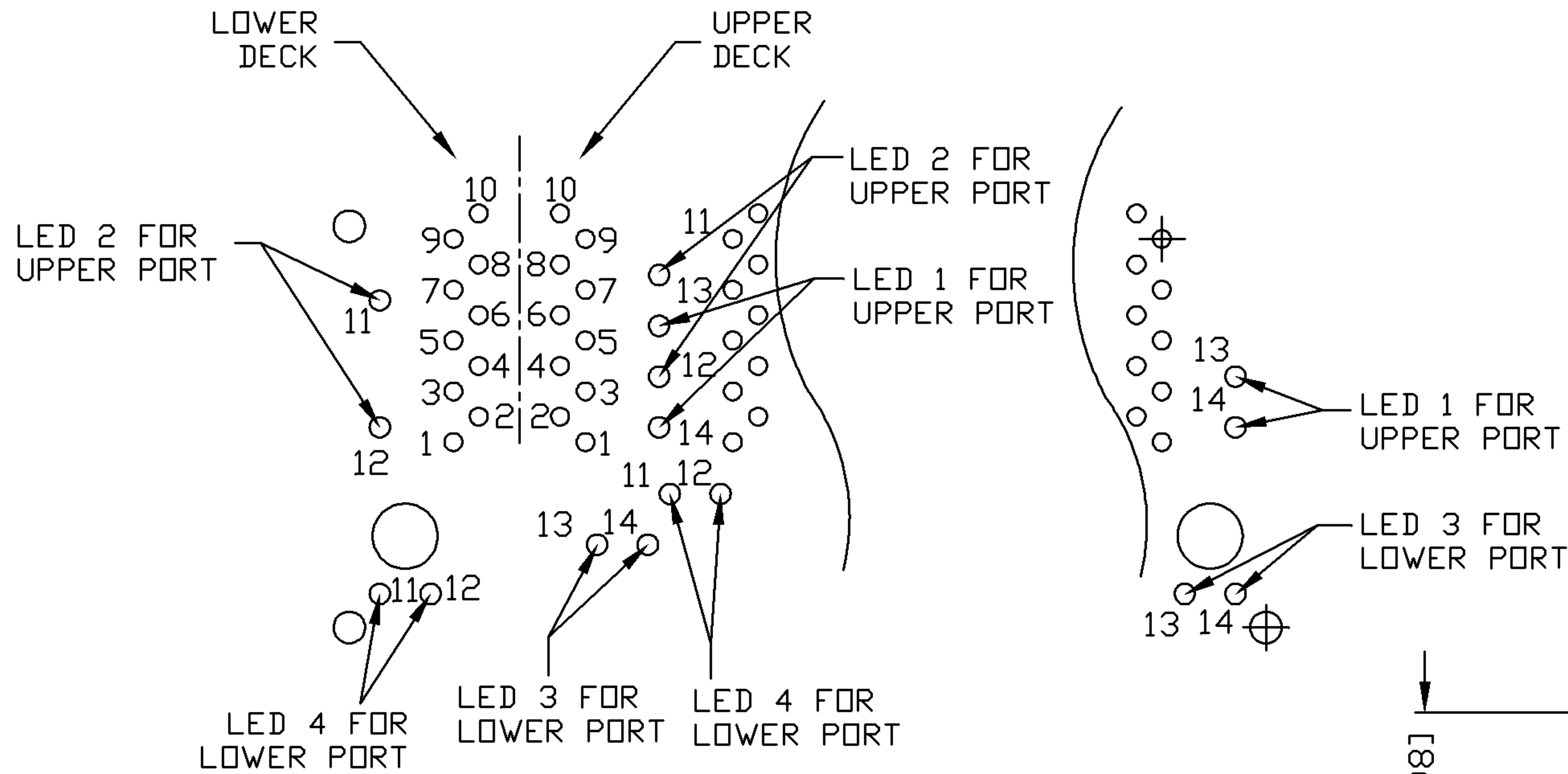
- JACK CAVITY CONFORMS TO FCC RULES AND REGULATIONS, PART 68 SUBPART F.
 - MARK PART WITH MFG LOGO, MFG NAME, PART NUMBER, AND DATE CODE.
 - RoHS COMPLIANCE, PER EU DIRECTIVE 2002/95/EC.
- USUL RECOGNIZED - FILE #E196366 AND E169987.

ORIGINATED BY ANTON LIAO	DATE 12-01-08	TITLE 2X6 gigabit MagJack® WITH UPPER AND LOWER LED (8 Cores)	PART NO. / DRAWING NO. 0879-2E6R-54	STANDARD DIM. TOL. IN INCH	[] METRIC DIM. AS REFERENCE	 COMPONENTS FOR A CONNECTED PLANET	
DRAWN BY HOWFAR WEI	DATE 12-01-08		FILE NAME 0879-2E6R-54_PB.DWG	.X	UNIT : INCH [mm]		REV. : PB
				.XX	SCALE : N/A		SIZE : A4
			.XXX	±0.010	PAGE : 3		

THE INFORMATION CONTAINED HEREIN IS CONSIDERED "PROPRIETARY" TO BEL FUSE INC. AND SHALL NOT BE COPIED, REPRODUCED OR DISCLOSED WITHOUT THE WRITTEN APPROVAL OF BEL FUSE INC.

RoHS
2002/95/EC

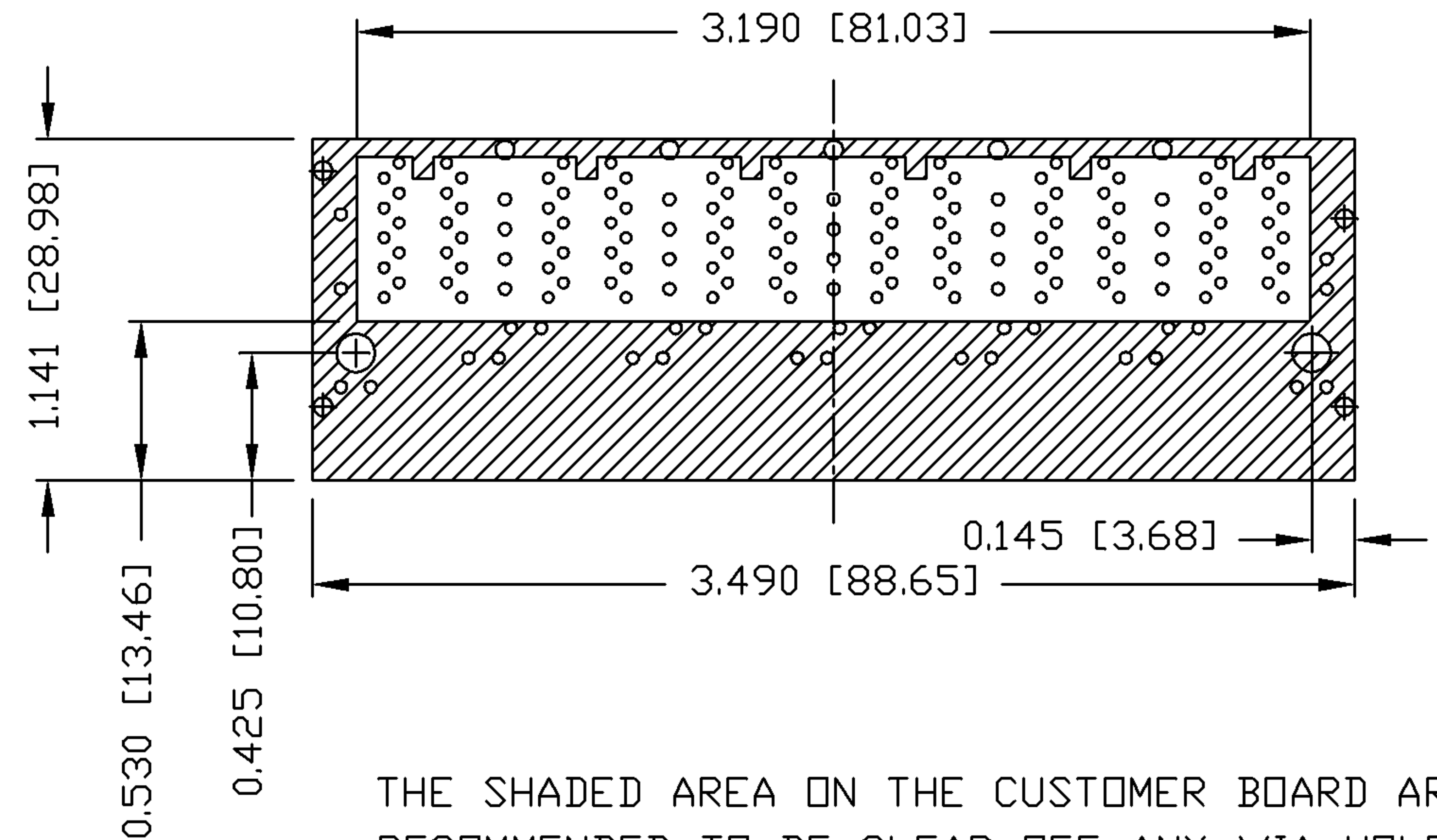
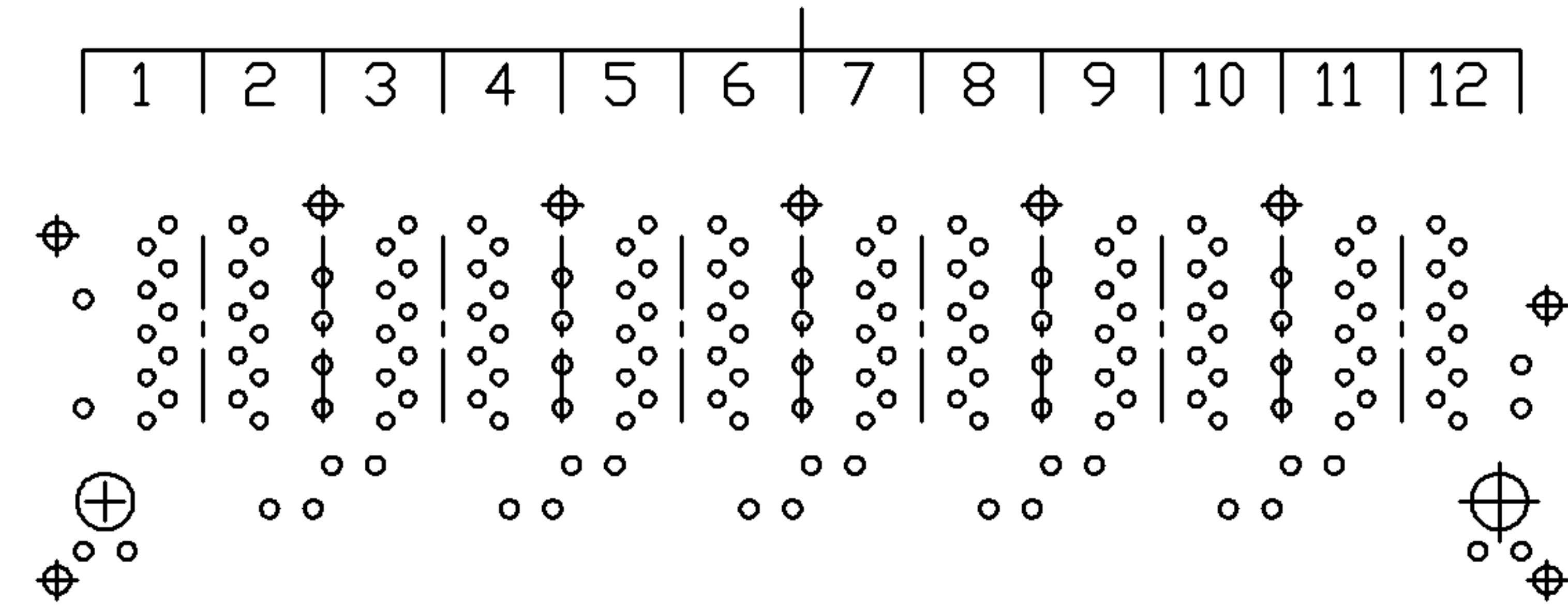
PRELIMINARY



PIN-OUT INFORMATION
(COMPONENT SIDE VIEW)

14	GREEN(-)
13	GREEN(+)
12	ORG(+)/GRN(-)
11	ORG(-)/GRN(+)
10	GND
9	TRDCT1/2/3/4
8	TRD 4+
7	TRD 4-
6	TRD 3+
5	TRD 3-
4	TRD 2+
3	TRD 2-
2	TRD 1+
1	TRD 1-

PORT ASSIGNMENT
(COMPONENT SIDE VIEW)



THE SHADED AREA ON THE CUSTOMER BOARD ARE RECOMMENDED TO BE CLEAR OFF ANY VIA HOLE OR COMPONENT PAD.

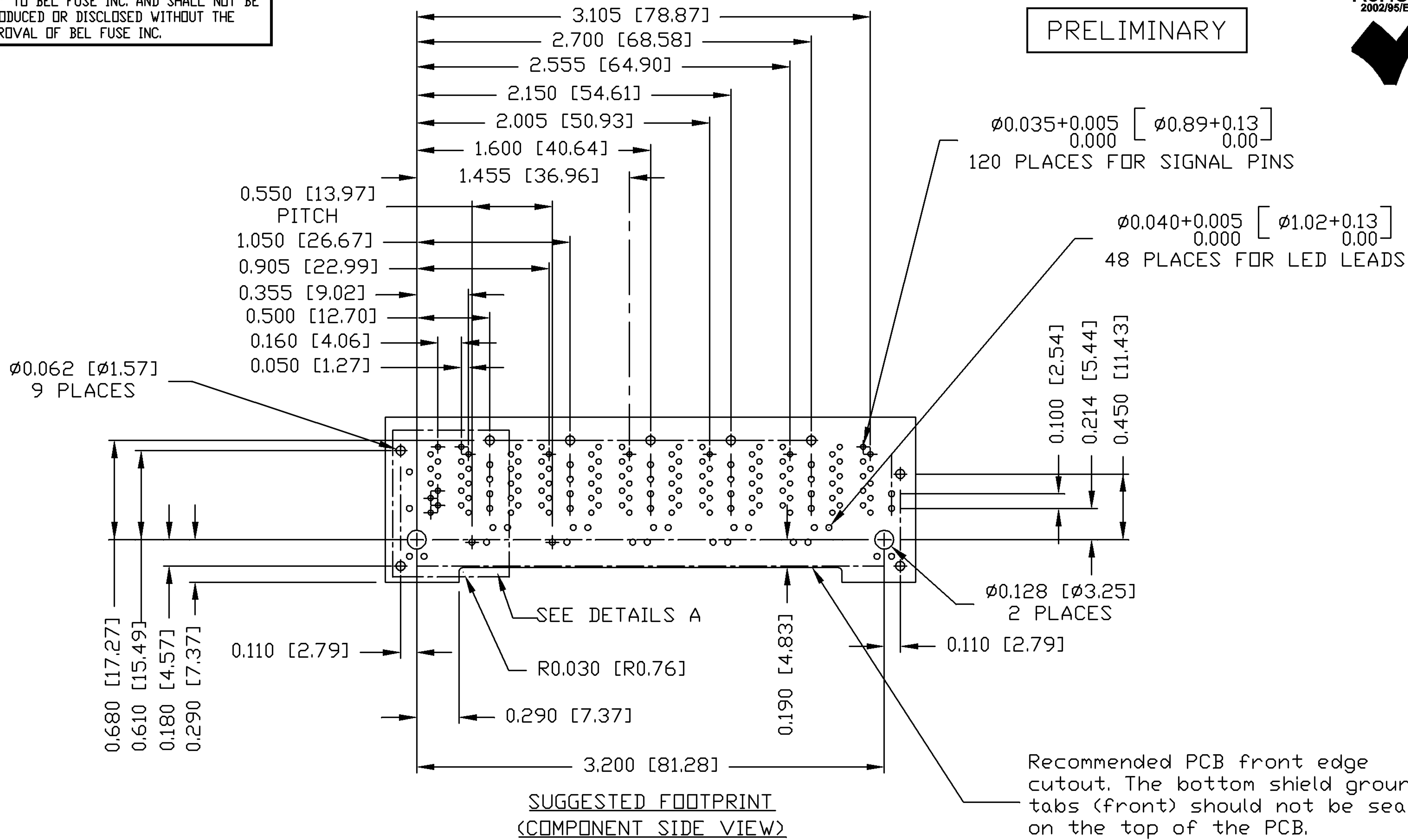
ORIGINATED BY ANTON LIAO	DATE 12-01-08	TITLE 2X6 gigabit MagJack® WITH UPPER AND LOWER LED (8 Cores)	PART NO. / DRAWING NO. 0879-2E6R-54	STANDARD DIM. TOL. IN INCH .X .XX .XXX ±0.010	[] METRIC DIM. AS REFERENCE UNIT : INCH [mm] SCALE : N/A REV. : PB SIZE : A4 PAGE : 4	 	 bel COMPONENTS FOR A CONNECTED PLANET
DRAWN BY HOWFAR WEI	DATE 12-01-08	FILE NAME 0879-2E6R-54_PB.DWG					

THE INFORMATION CONTAINED HEREIN IS CONSIDERED "PROPRIETARY" TO BEL FUSE INC. AND SHALL NOT BE COPIED, REPRODUCED OR DISCLOSED WITHOUT THE WRITTEN APPROVAL OF BEL FUSE INC.

RoHS
2002/95/EC



PRELIMINARY



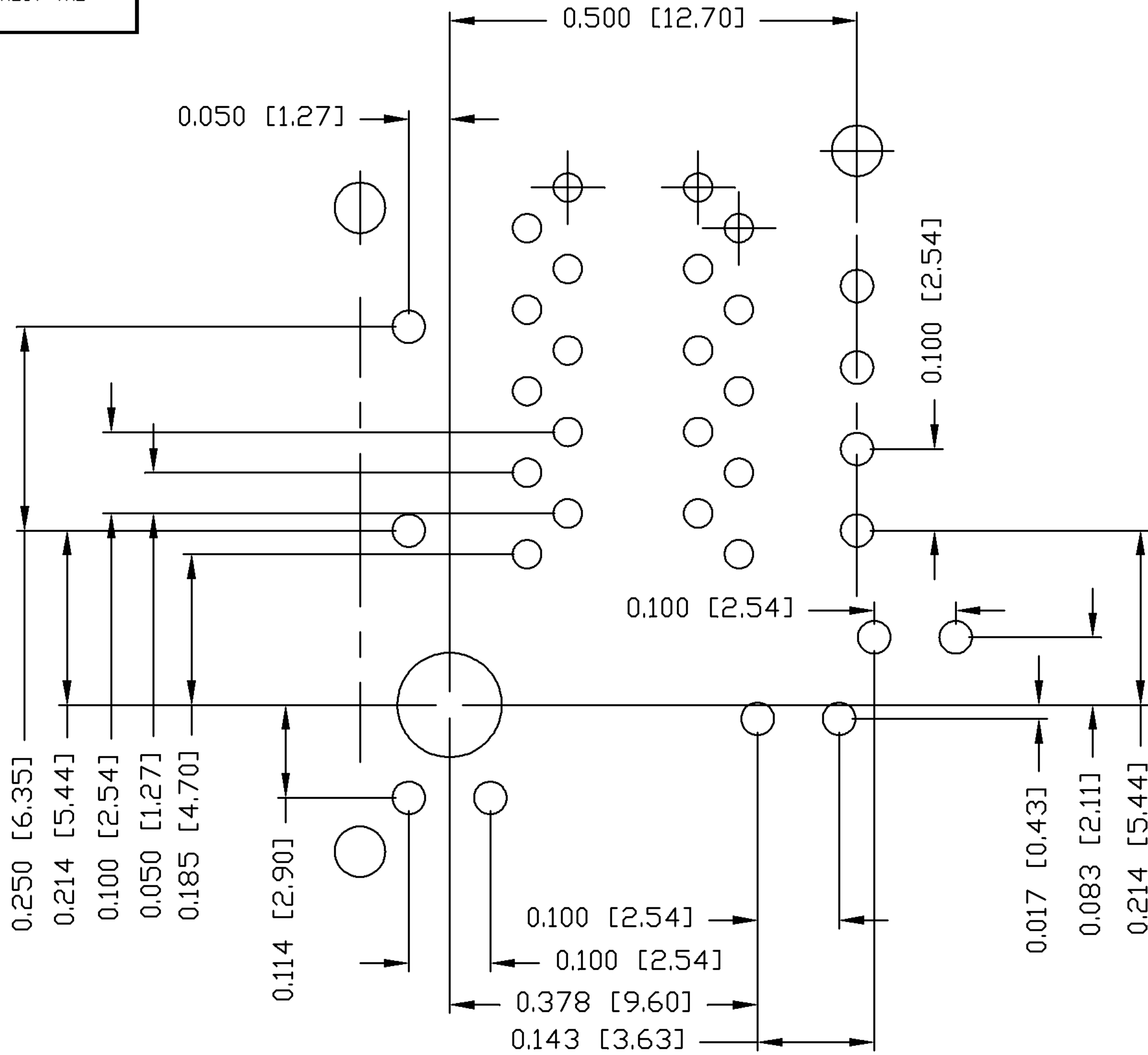
SUGGESTED FOOTPRINT
(COMPONENT SIDE VIEW)

Recommended PCB front edge cutout. The bottom shield ground tabs (front) should not be seated on the top of the PCB.

ORIGINATED BY ANTON LIAO	DATE 12-01-08	TITLE 2X6 gigabit MagJack® WITH UPPER AND LOWER LED (8 Cores)	PART NO. / DRAWING NO. 0879-2E6R-54	STANDARD DIM. TOL. IN INCH	[] METRIC DIM. AS REFERENCE	 COMPONENTS FOR A CONNECTED PLANET
DRAWN BY HOWFAR WEI	DATE 12-01-08		FILE NAME 0879-2E6R-54_PB.DWG	.X	UNIT : INCH [mm]	
			.XX	SCALE : N/A	SIZE : A4	
			.XXX	±0.004	PAGE : 5	

THE INFORMATION CONTAINED HEREIN IS CONSIDERED 'PROPRIETARY' TO BEL FUSE INC. AND SHALL NOT BE COPIED, REPRODUCED OR DISCLOSED WITHOUT THE WRITTEN APPROVAL OF BEL FUSE INC.

PRELIMINARY



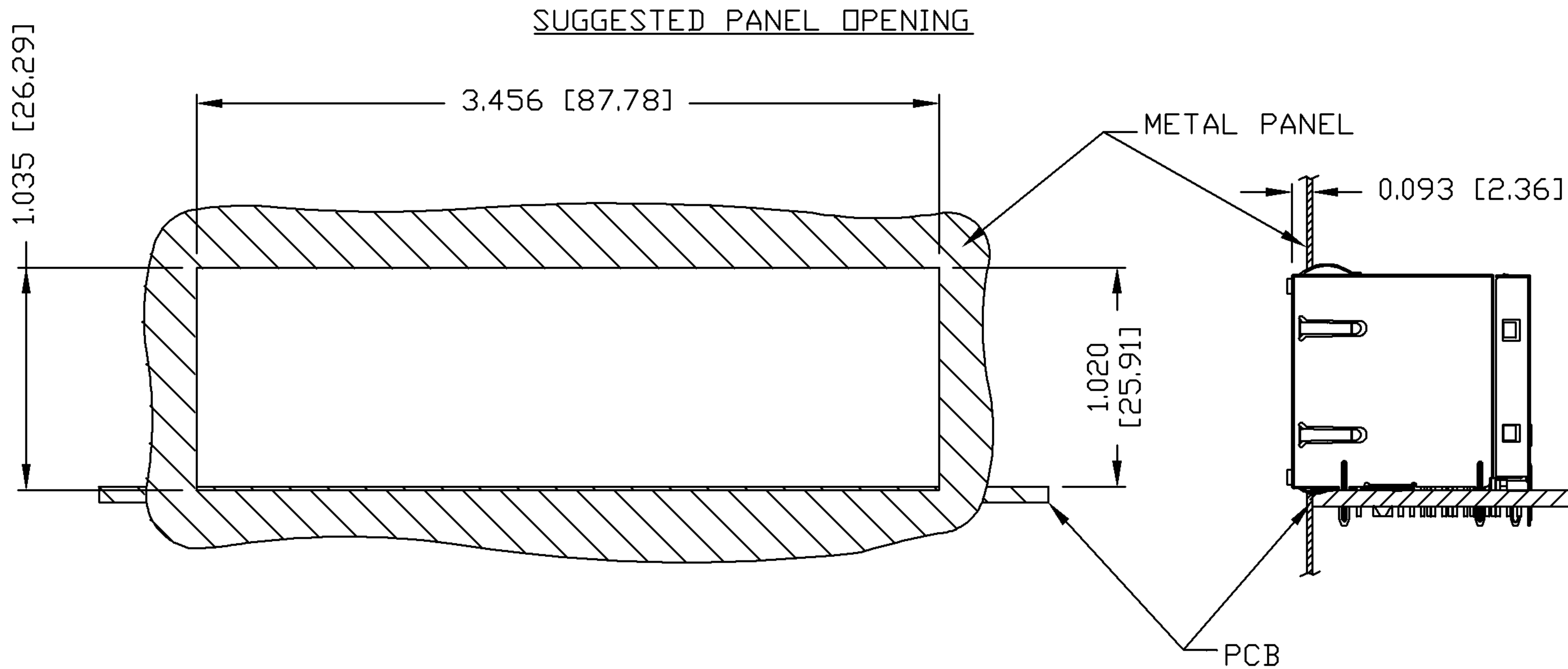
DETAILS A

ORIGINATED BY ANTON LIAO	DATE 12-01-08	TITLE 2X6 gigabit MagJack® WIHT UPPER AND LOWER LED (8 Cores)	PART NO. / DRAWING NO. 0879-2E6R-54	STANDARD DIM. TOL. IN INCH	[] METRIC DIM. AS REFERENCE
DRAWN BY HOWFAR WEI	DATE 12-01-08		FILE NAME 0879-2E6R-54_PB.DWG	.X .XX .XXX ±0.004	UNIT : INCH [mm] SCALE : N/A REV. : PB SIZE : A4 PAGE : 6



THE INFORMATION CONTAINED HEREIN IS CONSIDERED "PROPRIETARY" TO BEL FUSE INC. AND SHALL NOT BE COPIED, REPRODUCED OR DISCLOSED WITHOUT THE WRITTEN APPROVAL OF BEL FUSE INC.

PRELIMINARY



NOTE:

THE DISTANCE OF PANEL INSIDE SURFACE RELATIVE TO FRONT SURFACE OF PART IS ONLY A SUGGESTION. IN CASE THIS DISTANCE IS DIFFERENT, THE REQUIRED PANEL OPENING DIMENSIONS CHANGE ACCORDINGLY.

PACKING INFORMATION

PACKING TRAY : 0200-9999-P3 (TOP)
0200-9999-P4 (BOTTOM)

PACKING QUANTITY : 14 PCS FINISHED GOODS PER TRAY
7 TRAY (98 PCS FINISHED GOODS) PER CARTON BOX

NOTE : CARDBOARDS ARE PLACED BETWEEN LAYERS OF PACKING TRAY INSIDE CARTON BOX
(INCLUDE THE UPPERMOST AND LOWERMOST TRAY)

ORIGINATED BY	DATE	TITLE	PART NO. / DRAWING NO.	STANDARD DIM. TOL. IN INCH	[] METRIC DIM. AS REFERENCE
ANTON LIAO	12-01-08	2X6 gigabit MagJack® WITH UPPER AND LOWER LED (8 Cores)	0879-2E6R-54	.X	UNIT : INCH [mm] REV. : PB
DRAWN BY	DATE		FILE NAME	.XX	SCALE : N/A SIZE : A4
HOWFAR WEI	12-01-08		0879-2E6R-54_PB.DWG	.XXX ±0.004	⊕ --- PAGE : 7

