

THE INFORMATION CONTAINED HEREIN IS CONSIDERED "PROPRIETARY" TO BEL FUSE INC. AND SHALL NOT BE COPIED, REPRODUCED OR DISCLOSED WITHOUT THE WRITTEN APPROVAL OF BEL FUSE INC.

RoHS



LED 2 & 4 POLARITY			LED 1 & 3 POLARITY		
PIN 7	PIN 8	COLOR	PIN 9	PIN 10	COLOR
+	-	GREEN	+	-	YELLOW

ELECTRICAL CHARACTERISTICS @ 25°C

URNS RATIO

TP1 1CT : 1CT ±2%
 TP2 1CT : 1CT ±2%

QCL @ 100kHz/100mVRMS 350µH MIN,
 8mA DC BIAS (0°C - 70°C)

INS. LOSS

0.1MHz TO 1MHz -1.1 dB MAX
 1MHz TO 65MHz -0.5 dB MAX
 65MHz TO 100MHz -1.0 dB MAX

RET. LOSS (MIN) @ 100ΩHMS ±15%

0.5MHz-40MHz -18 dB
 40MHz-80MHz -12+20LOG(f/80MHz) dB

CM TO CM REJ

100kHz - 100MHz -30 dB MIN

CM TO DM REJ

100kHz - 100MHz -35 dB MIN

CROSS TALK (TX - RX)

100kHz - 100MHz -35 dB MIN

HIPOT (Isolation Voltage): 1500 Vrms

100% OF PRODUCTION TESTED TO COMPLY WITH IEEE 802.3 ISOLATION REQUIREMENTS.

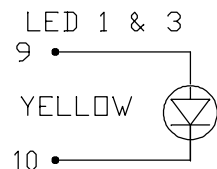
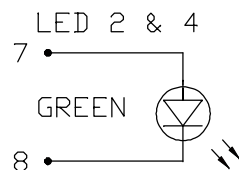
LEDS 2 & 4

VF (FORWARD VOLTAGE) IF=20mA GREEN 2.2V TYP.
 λD (DOMINANT WAVELENGTH) IF=20mA GREEN 570nm TYP.

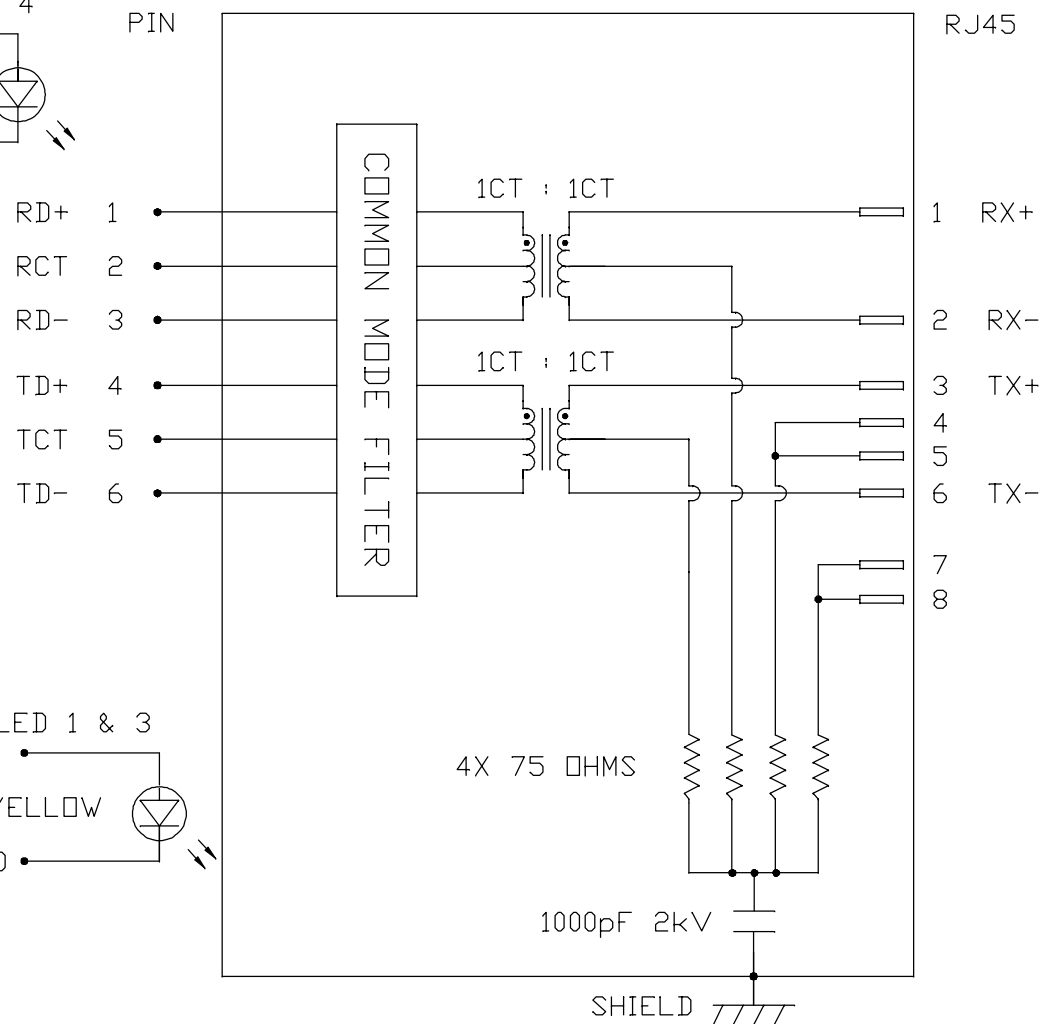
LEDS 1 & 3

VF (FORWARD VOLTAGE) IF=20mA YELLOW 2.1V TYP.
 λD (DOMINANT WAVELENGTH) IF=20mA YELLOW 590nm TYP.

OPERATING TEMPERATURE 0°C TO +70°C



SCHEMATIC



ORIGINATED BY
 CHOW WANCHUNG
 DATE 2016-07-28

DRAWN BY
 SKY YOU
 DATE 2016-07-28

TITLE
 2X1 MagJack®
 WITH UPPER AND LOWER LED
 (4 Cores)
 PATENTED

PART NO. / DRAWING NO.
 0879-2A1R-Y9

FILE NAME
 0879-2A1R-Y9_B.DWG

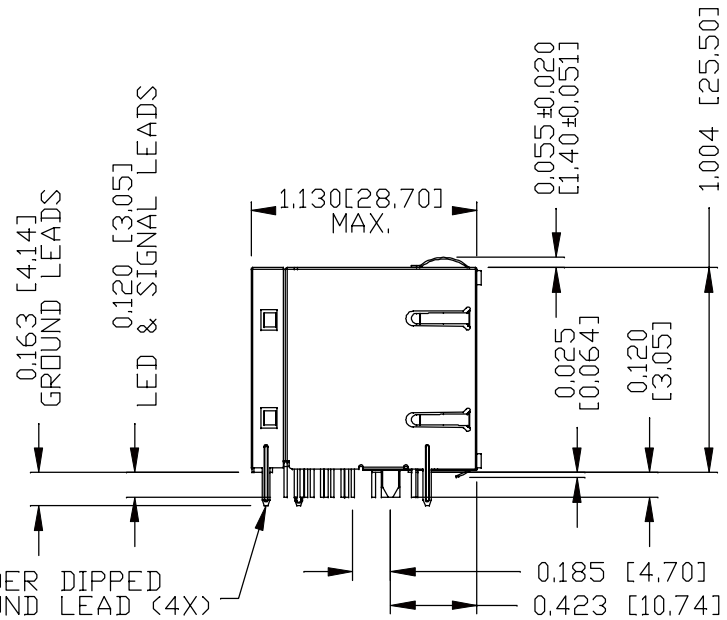
STANDARD DIM. TOL. IN INCH	[] METRIC DIM. AS REF.
.X	UNIT : INCH [mm]
.XX	SCALE : N/A
.XXX	SIZE : A4

REV. : B PAGE : 2



THE INFORMATION CONTAINED HEREIN IS CONSIDERED "PROPRIETARY" TO BEL FUSE INC. AND SHALL NOT BE COPIED, REPRODUCED OR DISCLOSED WITHOUT THE WRITTEN APPROVAL OF BEL FUSE INC.

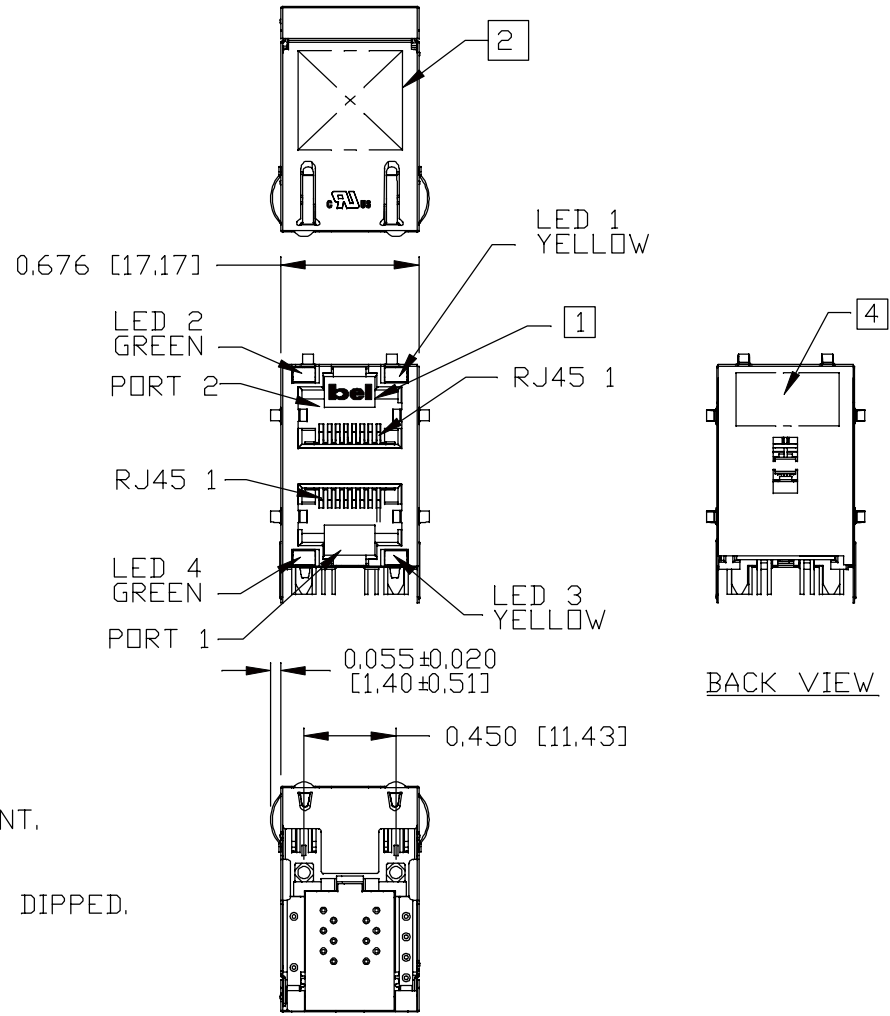
RoHS



NOTES: SOLDER DIPPED GROUND LEAD (4X)

PLASTIC HOUSING: THERMOPLASTIC PBT, BLACK
 FLAMMABILITY RATING UL 94V-0
 CONTACT PLATING: 50 MICRO-INCH HARD GOLD PLATING OR EQUIVALENT,
 30 MICRO-INCH MIN NICKEL UNDERPLATE.
 OUTPUT PINS: TIN-COATED COPPER WIRE, DIA 0.018 INCH,
 100 MICRO-INCH MIN MATTE TIN. PINS ARE SOLDER DIPPED.
 METAL SHIELD: NICKEL PLATED ON COPPER ALLOY,
 (ALL GROUND LEADS ARE SOLDER DIPPED)

- 1. JACK CAVITY CONFORMS TO FCC RULES AND REGULATIONS, PART 68 SUBPART F.
- 2. MARK PART WITH MFG LOGO, MFG NAME, PART NUMBER AND DATE CODE.
- 3. THE PRODUCT IS RoHS COMPLIANT.
- 4. MARKING "PATENTED".



BACK VIEW

- 5. THE PRODUCT IS PATENTED. THE PATENT NUMBER ARE U.S. PAT. 6,840,817 AND U.S. PAT. 7,123,117.
- 6. THE PRODUCT IS RECOMMENDED FOR WAVE SOLDERING PROCESS, PEAK TEMPERATURE 260°C MAX. AND 10 SECONDS MAX..

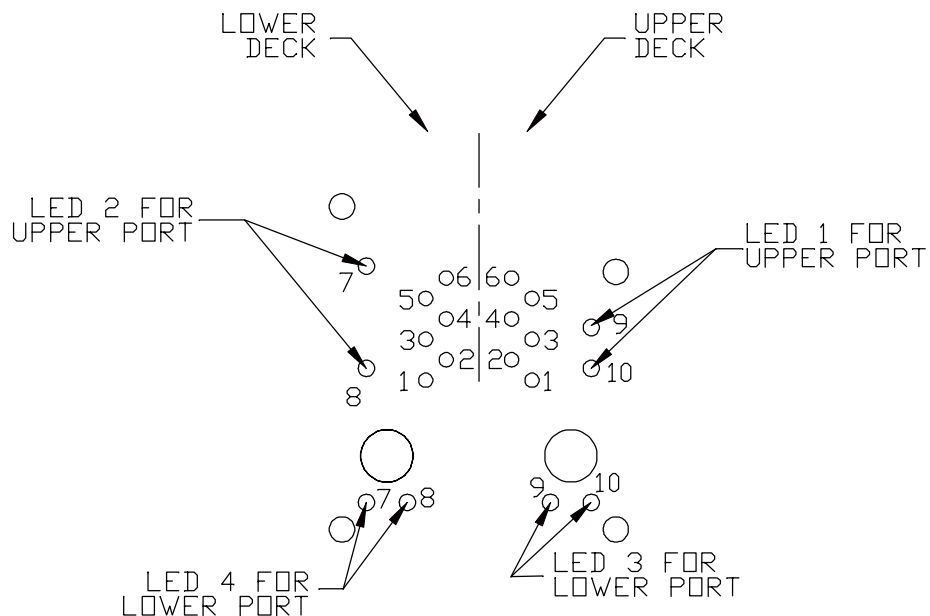
REV. : B PAGE : 3

ORIGINATED BY LI QUANKUN DATE 2016-07-28	TITLE 2X1 MagJack® WITH UPPER AND LOWER LED (4 Cores) PATENTED	PART NO. / DRAWING NO. 0879-2A1R-Y9	STANDARD DIM. [] METRIC DIM.	
			TOL. IN INCH	AS REF.
DRAWN BY ZHANG XUEZHENG DATE 2016-07-28		FILE NAME 0879-2A1R-Y9_B.DWG	.X	UNIT : INCH [mm]
			.XX	SCALE : N/A
			.XXX	SIZE : A4

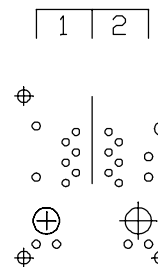


THE INFORMATION CONTAINED HEREIN IS CONSIDERED 'PROPRIETARY' TO BEL FUSE INC. AND SHALL NOT BE COPIED, REPRODUCED OR DISCLOSED WITHOUT THE WRITTEN APPROVAL OF BEL FUSE INC.

RoHS

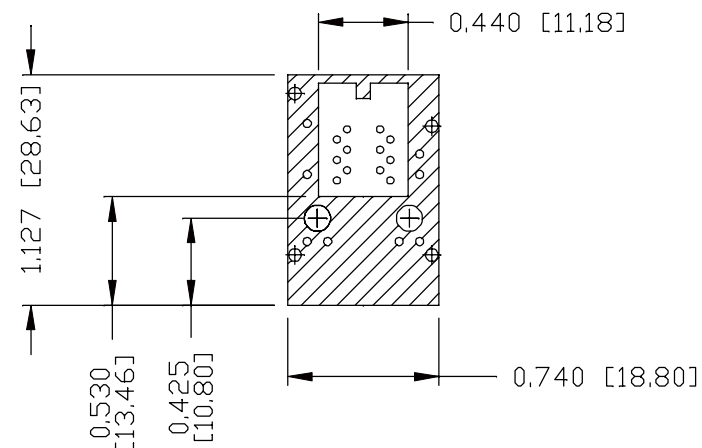


PORT ASSIGNMENT
(COMPONENT SIDE VIEW)



PIN-OUT INFORMATION
(COMPONENT SIDE VIEW)

10	YELLOW (-)
9	YELLOW (+)
8	GREEN (-)
7	GREEN (+)
6	TD-
5	TCT
4	TD+
3	RD-
2	RCT
1	RD+



THE SHADED AREA ON THE CUSTOMER BOARD ARE RECOMMENDED TO BE CLEAR OFF ANY VIA HOLE OR COMPONENT PAD.

REV. : B PAGE : 4

ORIGINATED BY
LI QUANKUN
DATE 2016-07-28

DRAWN BY
ZHANG XUEZHENG
DATE 2016-07-28

TITLE
2X1 MagJack®
WITH UPPER AND LOWER LED
(4 Cores)
PATENTED

PART NO. / DRAWING NO.
0879-2A1R-Y9

FILE NAME
0879-2A1R-Y9_B.DWG

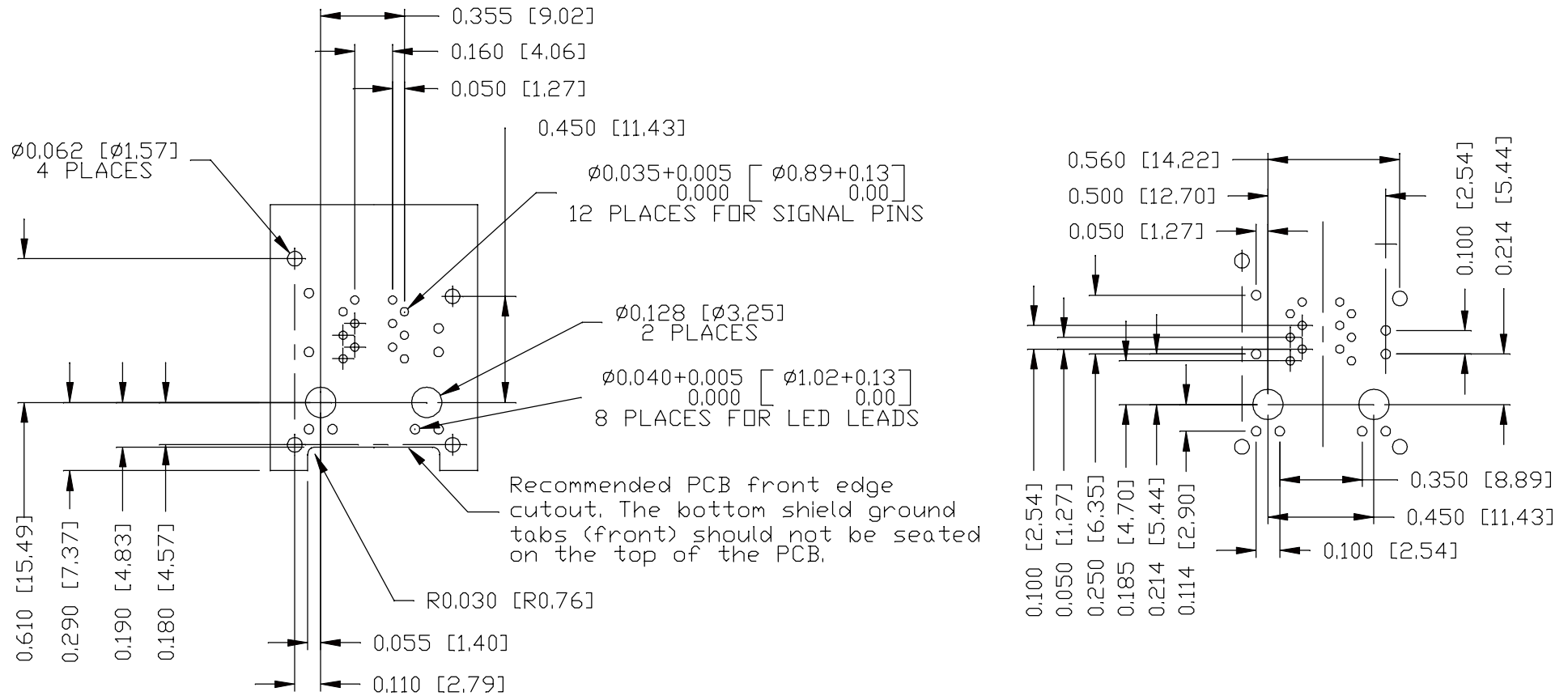
STANDARD DIM. TOL. IN INCH	[] METRIC DIM. AS REF.
.X	UNIT : INCH [mm]
.XX	SCALE : N/A
.XXX ±0.004	SIZE : A4



a bel group

THE INFORMATION CONTAINED HEREIN IS CONSIDERED "PROPRIETARY" TO BEL FUSE INC. AND SHALL NOT BE COPIED, REPRODUCED OR DISCLOSED WITHOUT THE WRITTEN APPROVAL OF BEL FUSE INC.

RoHS



SUGGESTED FOOTPRINT
<COMPONENT SIDE VIEW>

ORIGINATED BY
LI QUANKUN
DATE 2016-07-28
DRAWN BY
ZHANG XUEZHENG
DATE 2016-07-28

TITLE
2X1 MagJack®
WITH UPPER AND LOWER LED
(4 Cores)
PATENTED

PART NO. / DRAWING NO.
0879-2A1R-Y9
FILE NAME
0879-2A1R-Y9_B.DWG

STANDARD DIM. TOL. IN INCH		[] METRIC DIM. AS REF.
.X		UNIT : INCH [mm]
.XX		SCALE : N/A
.XXX	±0.004	SIZE : A4

REV. : B PAGE : 5

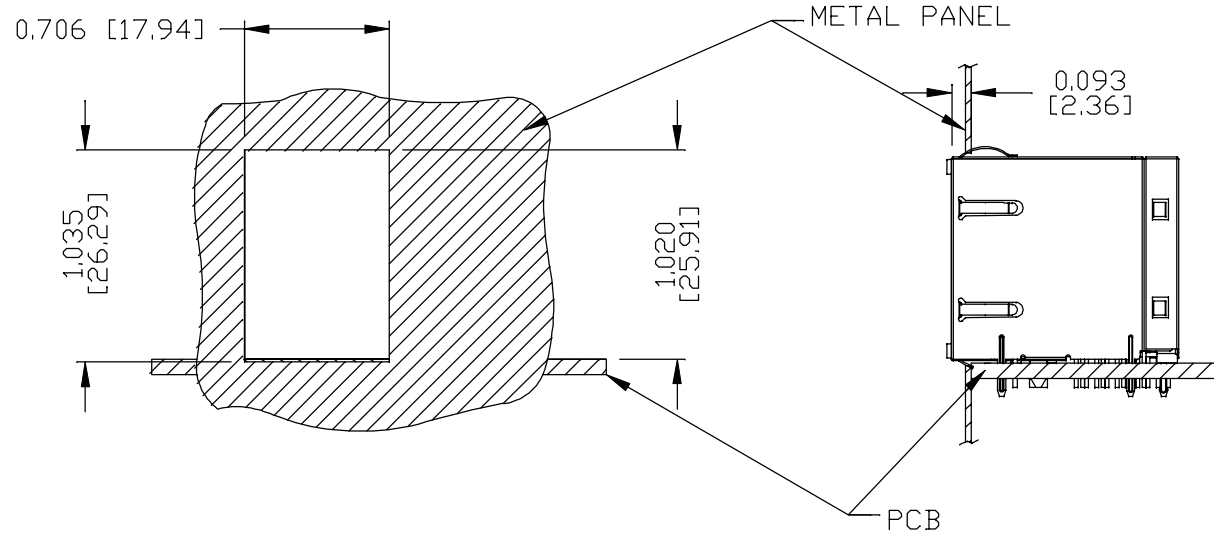


THE INFORMATION CONTAINED HEREIN IS CONSIDERED 'PROPRIETARY' TO BEL FUSE INC. AND SHALL NOT BE COPIED, REPRODUCED OR DISCLOSED WITHOUT THE WRITTEN APPROVAL OF BEL FUSE INC.

RoHS



SUGGESTED PANEL OPENING



NOTE:


THE DISTANCE OF PANEL INSIDE SURFACE RELATIVE TO FRONT SURFACE OF PART IS ONLY A SUGGESTION. IN CASE THIS DISTANCE IS DIFFERENT, THE REQUIRED PANEL OPENING DIMENSIONS CHANGE ACCORDINGLY.

PACKING INFORMATION

PACKING TRAY : 0200-9999-P8 (TOP)
0200-9999-P9 (BOTTOM)

PACKING QUANTITY : 40 PCS FINISHED GOODS PER TRAY
7 TRAYS (280 PCS FINISHED GOODS) PER CARTON BOX

NOTE : CARDBOARDS ARE PLACED BETWEEN LAYERS OF PACKING TRAY INSIDE CARTON BOX
(INCLUDE THE UPPERMOST AND LOWERMOST TRAY)

REV. :	B	PAGE :	6
		UNIT : INCH [mm]	
		SCALE : N/A	
		SIZE : A4	

ORIGINATED BY LI QUANKUN DATE 2016-07-28	TITLE 2X1 MagJack® WITH UPPER AND LOWER LED (4 Cores) PATENTED	PART NO. / DRAWING NO. 0879-2A1R-Y9	STANDARD DIM. TOL. IN INCH	[] METRIC DIM. AS REF.
DRAWN BY ZHANG XUEZHENG DATE 2016-07-28		FILE NAME 0879-2A1R-Y9_B.DWG	.X	
			.XX	
			.XXX	±0.004