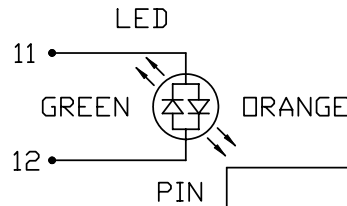


THE INFORMATION CONTAINED HEREIN IS CONSIDERED "PROPRIETARY" TO BEL FUSE INC. AND SHALL NOT BE COPIED, REPRODUCED OR DISCLOSED WITHOUT THE WRITTEN APPROVAL OF BEL FUSE INC.

LED POLARITY		
PIN 11	PIN 12	COLOR
-	+	GREEN
+	-	ORANGE



PRELIMINARY



SCHEMATIC

ELECTRICAL CHARACTERISTICS @ 25°C

URNS RATIO

TP1	1CT : 1CT ±2%
TP2	1CT : 1CT ±2%
TP3	1CT : 1CT ±2%
TP4	1CT : 1CT ±2%

ΩCL @ 100kHz/100mVRMS

8mA DC BIAS 350μH MIN.

INS. LOSS

0.1MHz TO 1MHz	-1.1 dB MAX
1MHz TO 65MHz	-0.5 dB MAX
65MHz TO 100MHz	-0.8 dB MAX
100MHz TO 125MHz	-1.2 dB MAX

RET. LOSS (MIN)

0.5MHz-40MHz	-18 dB
40MHz-100MHz	-12+20LOG(f/80MHz) dB

CM TO CM REJ

100kHz - 100MHz -30 dB MIN

CM TO DM REJ

100kHz - 100MHz -35 dB MIN

CROSS TALK

100kHz - 100MHz -30 dB MIN

HIPOT (Isolation Voltage):

1500 Vrms

100% OF PRODUCTION TESTED TO COMPLY WITH

IEEE 802.3 ISOLATION REQUIREMENTS.

OPERATING TEMPERATURE:

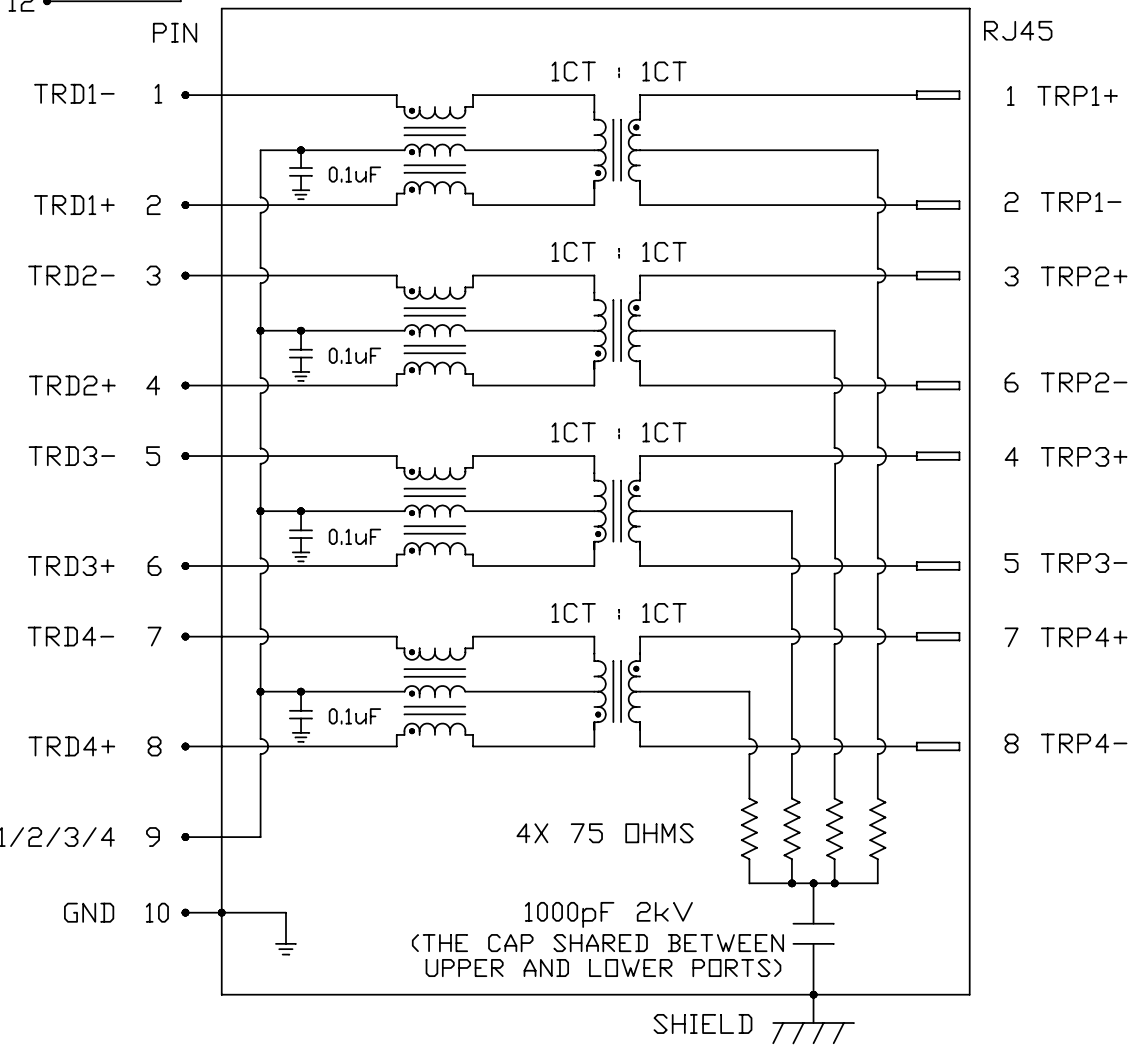
-40 TO +85°C

LED

VF (FORWARD VOLTAGE) IF=20mA GREEN 2.2V TYP.  
ORANGE 2.0V TYP.

λD (DOMINANT WAVELENGTH) IF=20mA GREEN 565nm TYP.  
ORANGE 610nm TYP.

OPERATING TEMPERATURE: -40°C TO 85°C



ORIGINATED BY	DATE	TITLE
CHOW WANGCHUNG	05-27-09	
DRAWN BY	DATE	PART NO. / DRAWING NO.
LEE WEIDE	05-27-09	

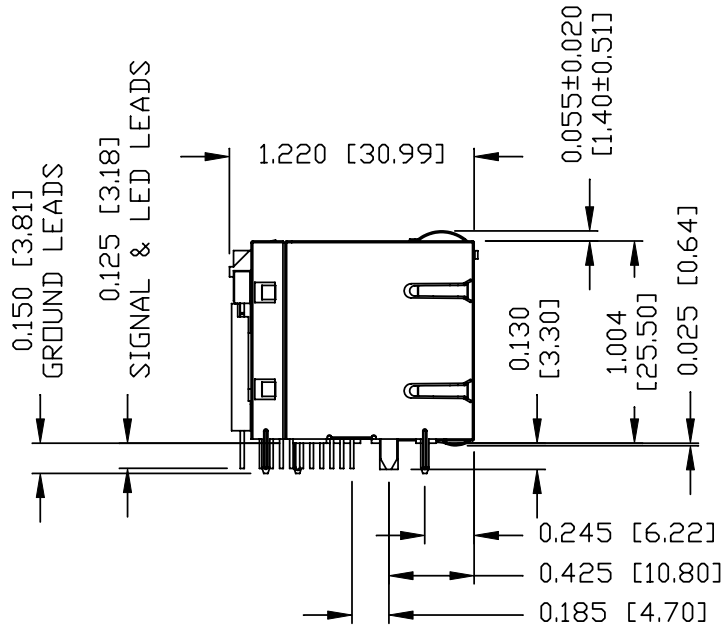
2X4 gigabit MagJack® (8 Cores and Extended temp.)	08632X6RY4-F
0863-2X6R-Y4-F PATENTED	08632X6RY4-F_PB.DWG

STANDARD DIM. TOL. IN INCH	[ ] METRIC DIM. AS REFERENCE
.X	UNIT : INCH [mm]
.XX	REV. : PB
.XXX	SCALE : N/A
	SIZE : A4
	PAGE : 2



THE INFORMATION CONTAINED HEREIN IS CONSIDERED "PROPRIETARY" TO BEL FUSE INC. AND SHALL NOT BE COPIED, REPRODUCED OR DISCLOSED WITHOUT THE WRITTEN APPROVAL OF BEL FUSE INC.

PRELIMINARY



NOTES:

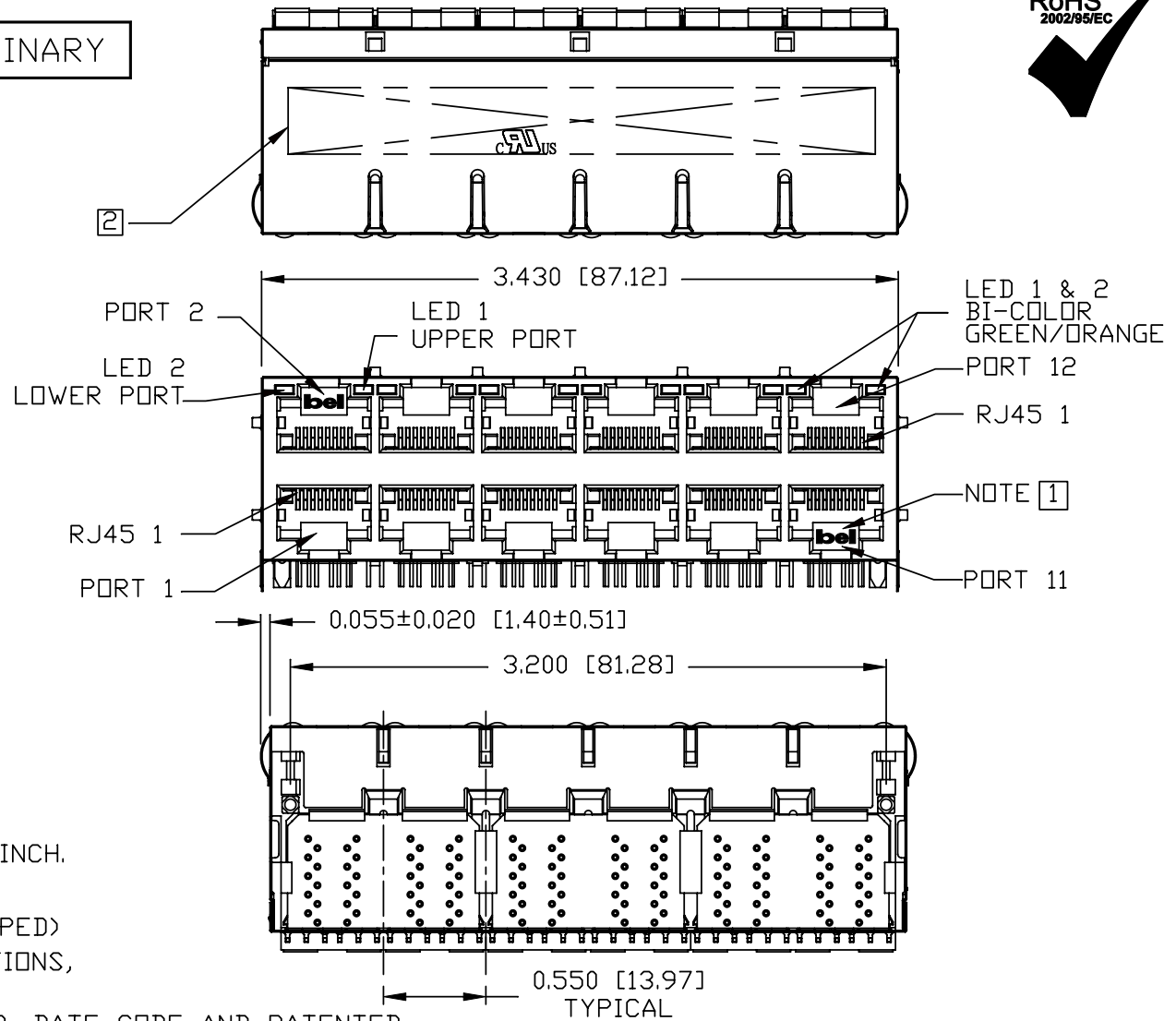
- PLASTIC HOUSING: THERMOPLASTIC PBT  
FLAMMABILITY RATING UL 94V-0
- CONTACT PLATING: 50 MICRO-INCH HARD GOLD PLATING
- OUTPUT PINS: TIN-COATED COPPER WIRE, DIA 0.018 INCH.
- METAL SHIELD: NICKEL PLATED ON COPPER ALLOY.  
(ALL GROUND LEADS ARE SOLDER DIPPED)

[1] JACK CAVITY CONFORMS TO FCC RULES AND REGULATIONS, PART 68 SUBPART F.

[2] MARK PART WITH MFG LOGO, MFG NAME, PART NUMBER, DATE CODE AND PATENTED

c vs UL RECOGNIZED - FILE #E196366 AND E169987.

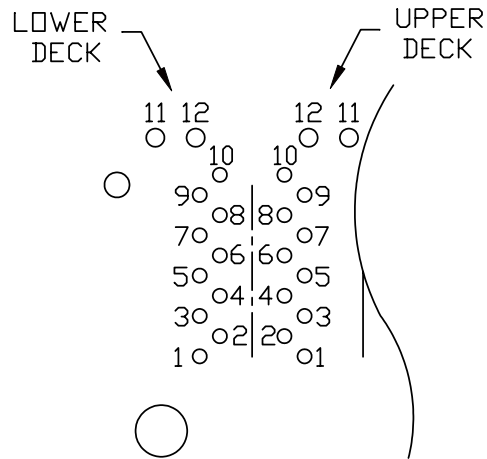
3. RoHS COMPLIANCE, PER EU DIRECTIVE 2002/95/EC.



ORIGINATED BY CHEN BILL	DATE 05-27-09	TITLE 2X4 gigabit MagJack® (8 Cores and Extended temp.)	PART NO. / DRAWING NO. 08632X6RY4-F	STANDARD DIM. TOL. IN INCH		[ ] METRIC DIM. AS REFERENCE		
				.X		UNIT : INCH [mm]	REV. : PB	
DRAWN BY LIU QIN	DATE 05-27-09	0863-2X6R-Y4-F PATENTED	FILE NAME 08632X6RY4-F_PB.DWG	.XX		SCALE : N/A	SIZE : A4	COMPONENTS FOR A CONNECTED PLANET
				.XXX	±0.010		PAGE : 3	

THE INFORMATION CONTAINED HEREIN IS CONSIDERED "PROPRIETARY" TO BEL FUSE INC. AND SHALL NOT BE COPIED, REPRODUCED OR DISCLOSED WITHOUT THE WRITTEN APPROVAL OF BEL FUSE INC.

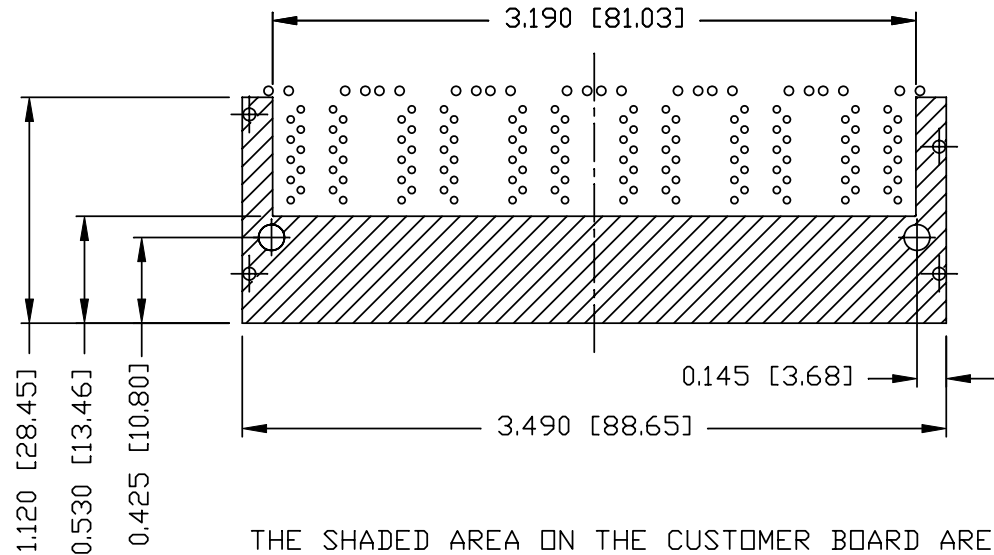
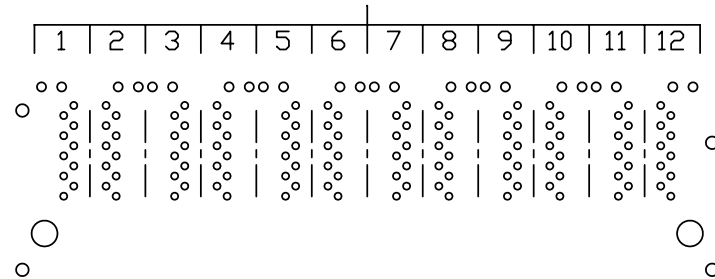
PRELIMINARY



PIN-OUT INFORMATION  
(COMPONENT SIDE VIEW)

12	GRN (+)/ORG (-)
11	GRN (-)/ORG (+)
10	GND
9	TRCT1/2/3/4
8	TRD 4+
7	TRD 4-
6	TRD 3+
5	TRD 3-
4	TRD 2+
3	TRD 2-
2	TRD 1+
1	TRD 1-

PORT ASSIGNMENT  
(COMPONENT SIDE VIEW)



THE SHADED AREA ON THE CUSTOMER BOARD ARE RECOMMENDED TO BE CLEAR OFF ANY VIA HOLE OR COMPONENT PAD.

ORIGINATED BY	DATE
CHEN BILL	05-27-09
DRAWN BY	DATE
LIU QIN	05-27-09

TITLE	2X4 gigabit MagJack® (8 Cores and Extended temp.) 0863-2X6R-Y4-F PATENTED
-------	--

PART NO. / DRAWING NO.	08632X6RY4-F
FILE NAME	08632X6RY4-F_PB.DWG

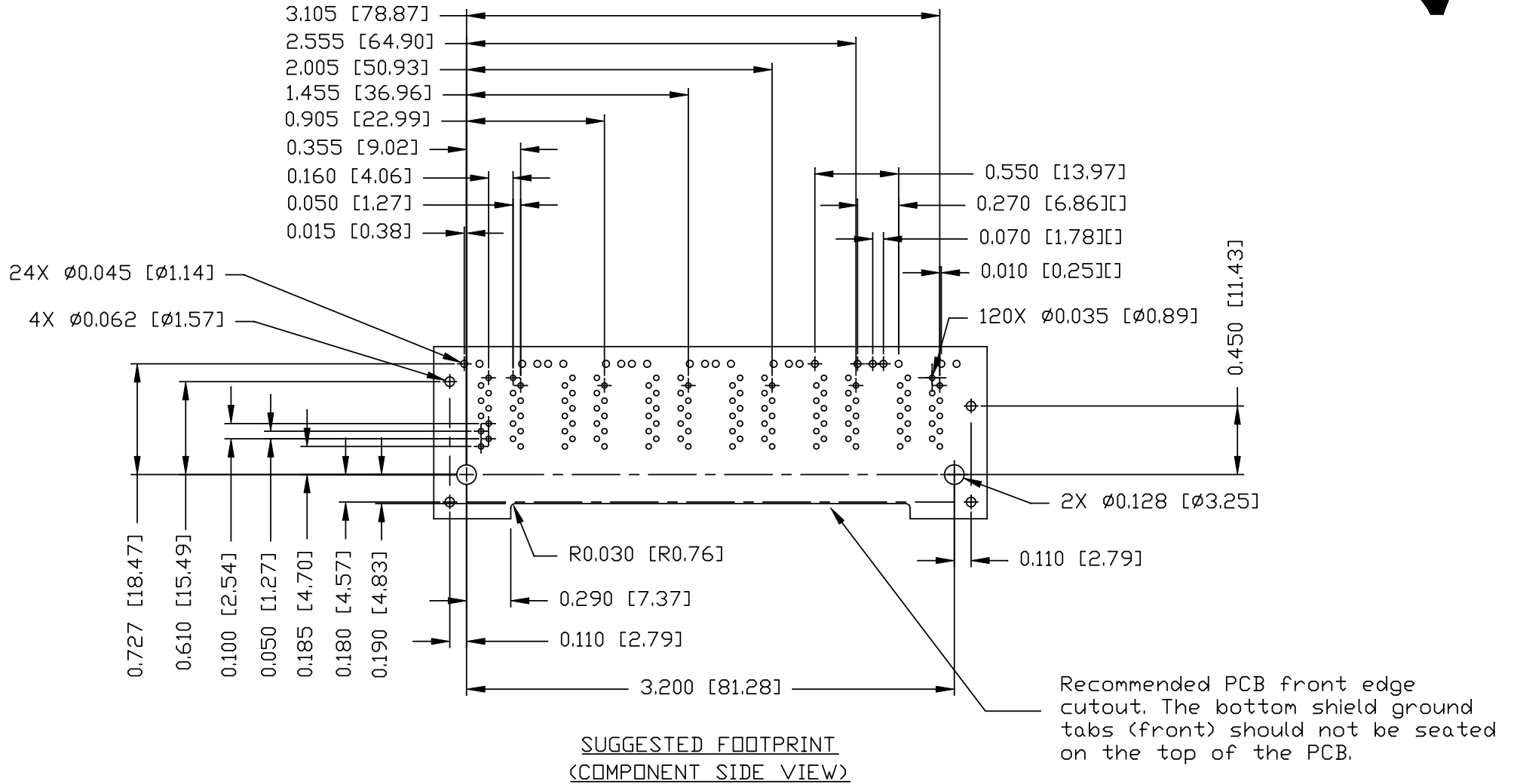
STANDARD DIM. TOL. IN INCH	[ ] METRIC DIM. AS REFERENCE
.X	UNIT : INCH [mm]
.XX	SCALE : N/A
.XXX	±0.004

REV. : PB	SIZE : A4
PAGE : 4	



THE INFORMATION CONTAINED HEREIN IS CONSIDERED "PROPRIETARY" TO BEL FUSE INC. AND SHALL NOT BE COPIED, REPRODUCED OR DISCLOSED WITHOUT THE WRITTEN APPROVAL OF BEL FUSE INC.

PRELIMINARY



SUGGESTED FOOTPRINT  
(COMPONENT SIDE VIEW)

ORIGINATED BY CHEN BILL	DATE 05-27-09
DRAWN BY LIU QIN	DATE 05-27-09

TITLE 2X4 gigabit MagJack® (8 Cores and Extended temp.)
0863-2X6R-Y4-F PATENTED

PART NO. / DRAWING NO. 08632X6RY4-F
FILE NAME 08632X6RY4-F_PB.DWG

STANDARD DIM. TOL. IN INCH	
.X	
.XX	
.XXX	±0.004

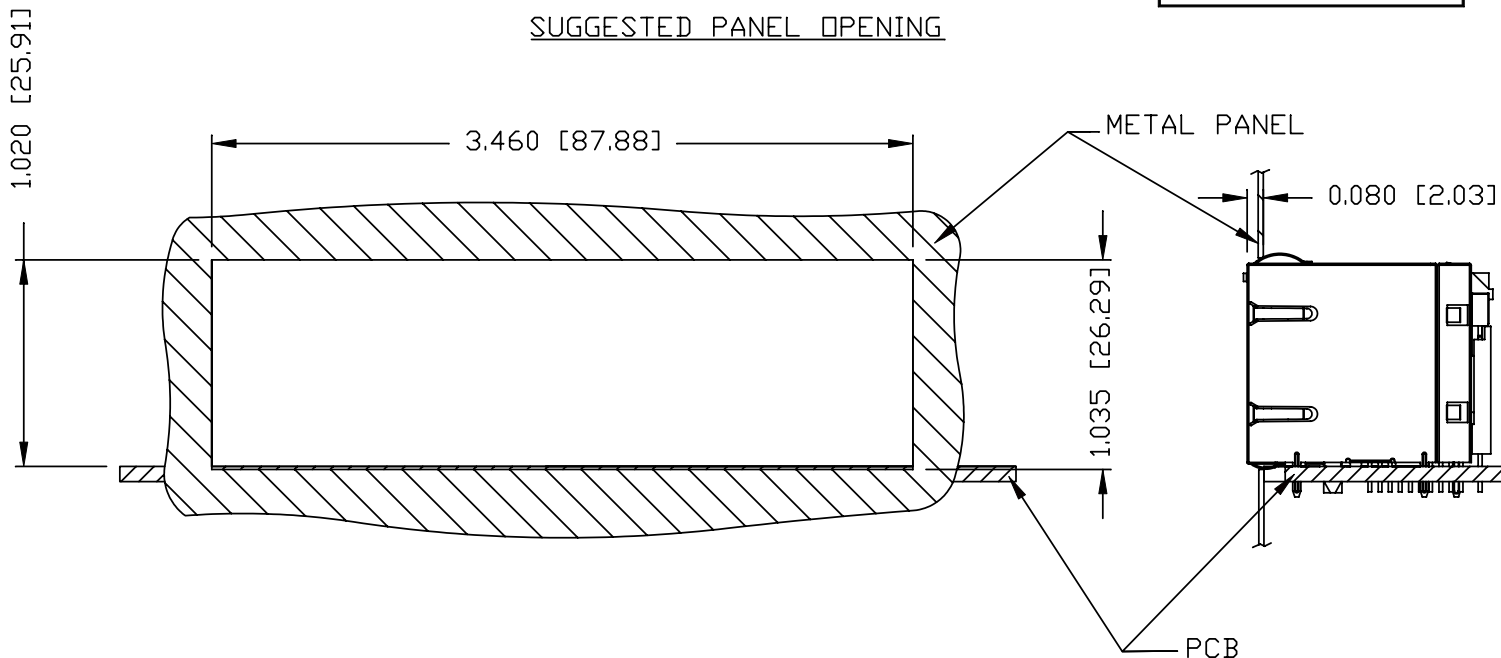
[ ] METRIC DIM. AS REFERENCE	REV. : PB
UNIT : INCH [mm]	SIZE : A4
SCALE : N/A	PAGE : 5



THE INFORMATION CONTAINED HEREIN IS CONSIDERED "PROPRIETARY" TO BEL FUSE INC. AND SHALL NOT BE COPIED, REPRODUCED OR DISCLOSED WITHOUT THE WRITTEN APPROVAL OF BEL FUSE INC.



PRELIMINARY



**NOTES:**

THE DISTANCE OF PANEL INSIDE SURFACE RELATIVE TO FRONT SURFACE OF PART IS ONLY A SUGGESTION. IN CASE THIS DISTANCE IS DIFFERENT, THE REQUIRED PANEL OPENING DIMENSIONS CHANGE ACCORDINGLY.

**PACKING INFORMATION**

PACKING TRAY : 0200-9999-A9 (TOP)

0200-9999-B6 (BOTTOM)

PACKING QUANTITY : 15 PCS FINISHED GOODS PER TRAY

7 TRAYS (105 PCS FINISHED GOODS) PER CARTON BOX

NOTE : CARDBOARDS ARE PLACED BETWEEN LAYERS OF PACKING TRAY INSIDE CARTON BOX (INCLUDE THE UPPERMOST AND LOWERMOST TRAY)

ORIGINATED BY CHEN BILL	DATE 05-27-09	TITLE 2X4 gigabit MagJack® (8 Cores and Extended temp.) PATENTED	PART NO. / DRAWING NO. 08632X6RY4-F	STANDARD DIM. TOL. IN INCH		[ ] METRIC DIM. AS REFERENCE		REV. : PB	bel COMPONENTS FOR A CONNECTED PLANET
				.X		UNIT : INCH [mm]	SCALE : N/A		
DRAWN BY LIU QIN	DATE 05-27-09	FILE NAME 08632X6RY4-F_PB.DWG		.XX			SIZE : A4		
				.XXX	±0.004		PAGE : 6		