

THE INFORMATION CONTAINED HEREIN IS CONSIDERED "PROPRIETARY" TO BEL FUSE INC. AND SHALL NOT BE COPIED, REPRODUCED OR DISCLOSED WITHOUT THE WRITTEN APPROVAL OF BEL FUSE INC.

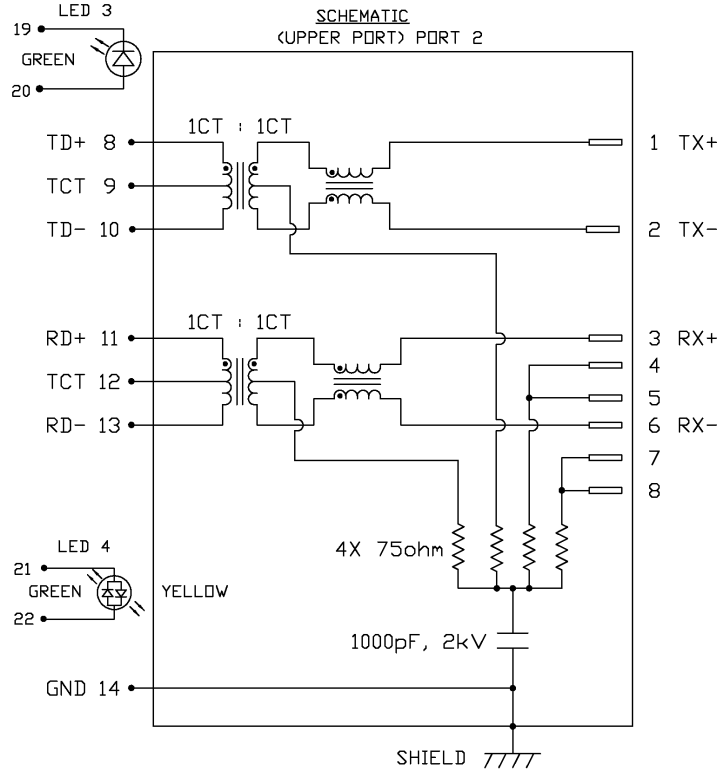
LED3 POLARITY			LED4 POLARITY		
PIN 19	PIN 20	COLOR	PIN 21	PIN 22	COLOR
-	+	GREEN	+	-	YELLOW
			-	+	GREEN

PRELIMINARY



ELECTRICAL CHARACTERISTICS @ 25°C

<p> URNS RATIO TX RX DCL @ 100kHz/100mVRMS 8mA DC BIAS INS. LOSS 1MHz TO 100MHz RET. LOSS (MIN) 1MHz-30MHz 30MHz-60MHz 60MHz-80MHz CROSS TALK (TX - RX) 500kHz-1MHz 10 MHz 30 MHz 50 MHz 100 MHz CM TO CM REJ 100kHz-1MHz 10 MHz 30 MHz 60 MHz 100 MHz CM TO DM REJ 100kHz-1MHz 10 MHz 30 MHz 60 MHz 100 MHz HIPDT (Isolation Voltage): LED 3 (Super bright) VF (FORWARD VOLTAGE) λD (DOMINANT WAVELENGTH) LED 4 (Super bright) VF (FORWARD VOLTAGE) λD (DOMINANT WAVELENGTH) </p>	<p> 1CT : 1CT ±3% 1CT : 1CT ±3% 350µH MIN. -1.0 dB MAX -18 dB -18+20LOG(F/30MHz) dB -12 dB -70 dB MIN -50 dB MIN -45 dB MIN -40 dB MIN -35 dB MIN -70 dB MIN -47 dB MIN -42 dB MIN -37 dB MIN -30 dB MIN -70 dB MIN -60 dB MIN -50 dB MIN -45 dB MIN -40 dB MIN 1500 Vrms IF=20mA GREEN 2.2V TYP. IF=20mA GREEN 565nm TYP. IF=20mA GREEN 2.2V TYP. IF=20mA YELLOW 2.1V TYP. IF=20mA GREEN 565nm TYP. IF=20mA YELLOW 590nm TYP. </p>
---	---



ORIGINATED BY CHUNG	DATE 12-21-05	TITLE 2X1 MagJack® (with LED)	PART NO. / DRAWING NO. 0845-2R1T-H5	STANDARD DIM. TOL. IN INCH	[] METRIC DIM. AS REFERENCE
			FILE NAME 08452R1TH5PA.DWG	.X .XX .XXX	UNIT : INCH [mm] SCALE : N/A REV. : PA
DRAWN BY DE	DATE 12-21-05				SIZE : A4 PAGE : 2



THE INFORMATION CONTAINED HEREIN IS CONSIDERED 'PROPRIETARY' TO BEL FUSE INC. AND SHALL NOT BE COPIED, REPRODUCED OR DISCLOSED WITHOUT THE WRITTEN APPROVAL OF BEL FUSE INC.

LED1 POLARITY			LED2 POLARITY		
PIN 15	PIN 16	COLOR	PIN 17	PIN 18	COLOR
-	+	GREEN	+	-	YELLOW
/	/	/	-	+	GREEN

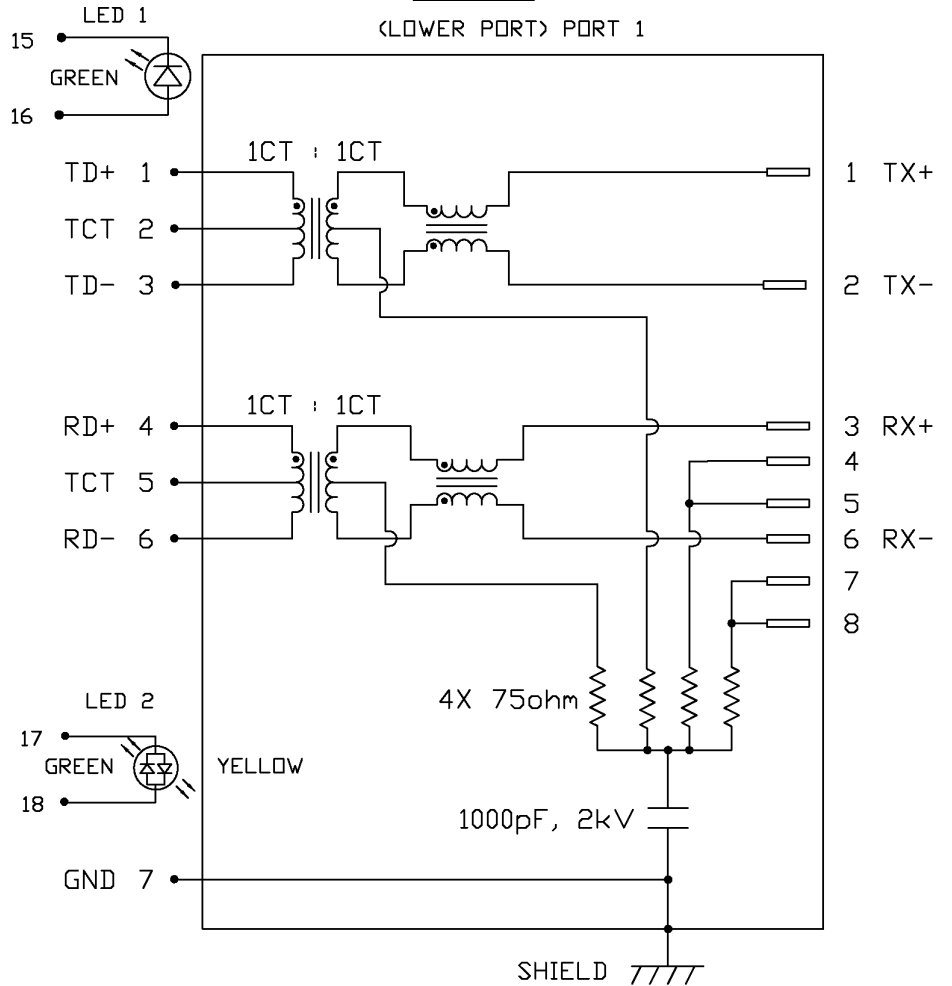
PRELIMINARY



ELECTRICAL CHARACTERISTICS @ 25°C

<p>TRANSFORMER</p> <p>TX</p> <p>RX</p> <p>DCL @ 100kHz/100mVRMS</p> <p>8mA DC BIAS</p> <p>INS. LOSS</p> <p>1MHZ TO 100MHZ</p> <p>RET. LOSS (MIN)</p> <p>1MHZ-30MHZ</p> <p>30MHZ-60MHZ</p> <p>60MHZ-80MHZ</p> <p>CROSS TALK (TX - RX)</p> <p>500kHz-1MHZ</p> <p>10 MHZ</p> <p>30 MHZ</p> <p>50 MHZ</p> <p>100 MHZ</p> <p>CM TO CM REJ</p> <p>100kHz-1MHZ</p> <p>10 MHZ</p> <p>30 MHZ</p> <p>60 MHZ</p> <p>100 MHZ</p> <p>CM TO DM REJ</p> <p>100kHz-1MHZ</p> <p>10 MHZ</p> <p>30 MHZ</p> <p>60 MHZ</p> <p>100 MHZ</p> <p>HIPDT (Isolation Voltage):</p> <p>LED 1</p> <p>VF (FORWARD VOLTAGE)</p> <p>λD (DOMINANT WAVELENGTH)</p> <p>LED 2</p> <p>VF (FORWARD VOLTAGE)</p> <p>λD (DOMINANT WAVELENGTH)</p>	<p>1CT : 1CT ±3%</p> <p>1CT : 1CT ±3%</p> <p>350µH MIN.</p> <p>-1.0 dB MAX</p> <p>-18 dB</p> <p>-18+20LOG(F/30MHz) dB</p> <p>-12 dB</p> <p>-70 dB MIN</p> <p>-50 dB MIN</p> <p>-45 dB MIN</p> <p>-40 dB MIN</p> <p>-35 dB MIN</p> <p>-70 dB MIN</p> <p>-47 dB MIN</p> <p>-42 dB MIN</p> <p>-37 dB MIN</p> <p>-30 dB MIN</p> <p>-70 dB MIN</p> <p>-60 dB MIN</p> <p>-50 dB MIN</p> <p>-45 dB MIN</p> <p>-40 dB MIN</p> <p>1500 Vrms</p> <p>IF=20mA GREEN 2.2V TYP.</p> <p>IF=20mA GREEN 565nm TYP.</p> <p>IF=20mA GREEN 2.2V TYP.</p> <p>IF=20mA YELLOW 2.1V TYP.</p> <p>IF=20mA GREEN 565nm TYP.</p> <p>IF=20mA YELLOW 590nm TYP.</p>
--	---

SCHEMATIC
(LOWER PORT) PORT 1



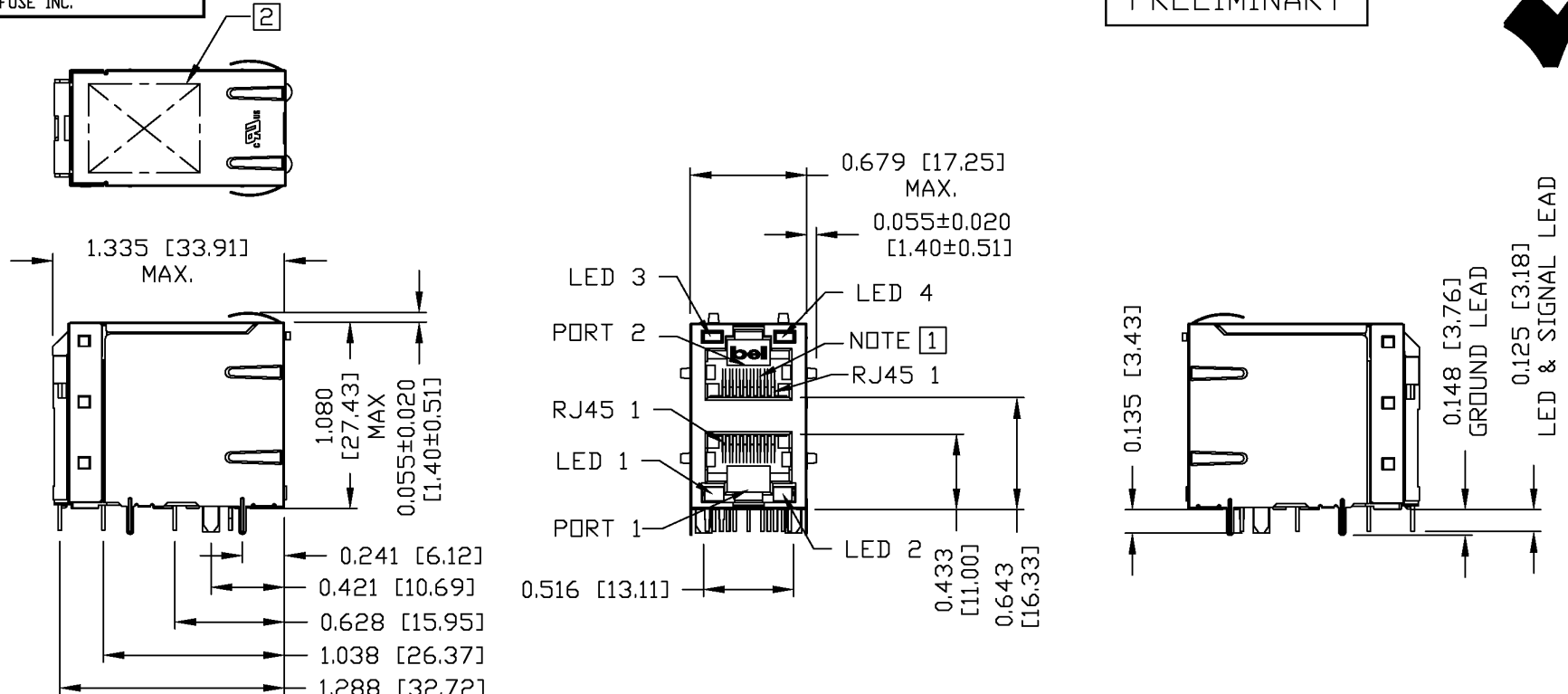
ORIGINATED BY	DATE	TITLE	PART NO. / DRAWING NO.	STANDARD DIM.	[] METRIC DIM. AS REFERENCE	
CHUNG	12-21-05	2X1 MagJack® (with LED)	0845-2R1T-H5	TOL. IN INCH	UNIT : INCH [mm] REV. : PA	
DRAWN BY	DATE		FILE NAME	.X	SCALE : N/A	SIZE : A4
DE	12-21-05		08452R1TH5PA.DWG	.XX	⊕	PAGE : 3
				.XXX		



THE INFORMATION CONTAINED HEREIN IS CONSIDERED "PROPRIETARY" TO BEL FUSE INC. AND SHALL NOT BE COPIED, REPRODUCED OR DISCLOSED WITHOUT THE WRITTEN APPROVAL OF BEL FUSE INC.



PRELIMINARY



NOTES:

- PLASTIC HOUSING: THERMOPLASTIC PBT
FLAMMABILITY RATING UL 94V-0
- CONTACT PLATING: 50 MICRO-INCH HARD GOLD PLATING
- OUTPUT PINS: TIN-COATED COPPER WIRE, DIA 0.018 INCH.
- METAL SHIELD: NICKEL PLATED ON COPPER ALLOY.
(ALL GROUND LEADS ARE SOLDER DIPPED)

- [1] JACK CAVITY CONFORMS TO FCC RULES AND REGULATIONS, PART 68 SUBPART F.
- [2] MARK PART WITH MFG LOGO, MFG NAME, PART NUMBER, AND DATE CODE.

RoHS COMPLIANCE, PER EU DIRECTIVE 2002/95/EC.
 us UL RECOGNIZED - FILE #E196366 AND E169987.

ORIGINATED BY BILL/KEUNG	DATE 12-21-05	TITLE 2X1 MagJack® (with LED)	PART NO. / DRAWING NO. 0845-2R1T-H5	STANDARD DIM. TOL. IN INCH	[] METRIC DIM. AS REFERENCE
DRAWN BY QIN	DATE 12-21-05		FILE NAME 08452R1TH5PA.DWG	.X .XX .XXX	UNIT : INCH [mm] SCALE : N/A ±0.010

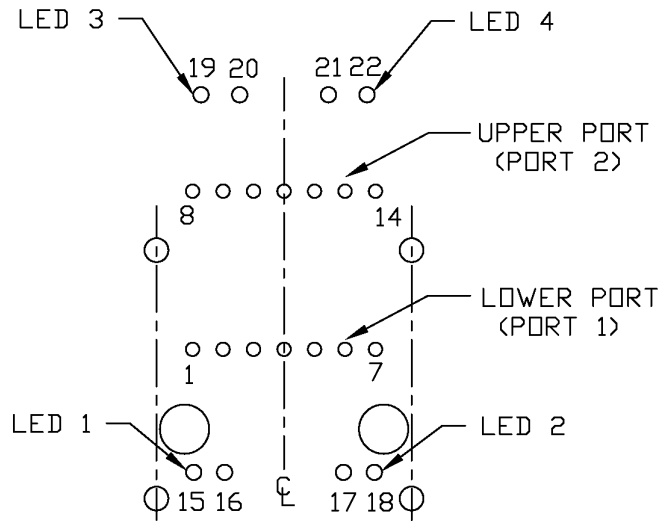


THE INFORMATION CONTAINED HEREIN IS CONSIDERED "PROPRIETARY" TO BEL FUSE INC. AND SHALL NOT BE COPIED, REPRODUCED OR DISCLOSED WITHOUT THE WRITTEN APPROVAL OF BEL FUSE INC.

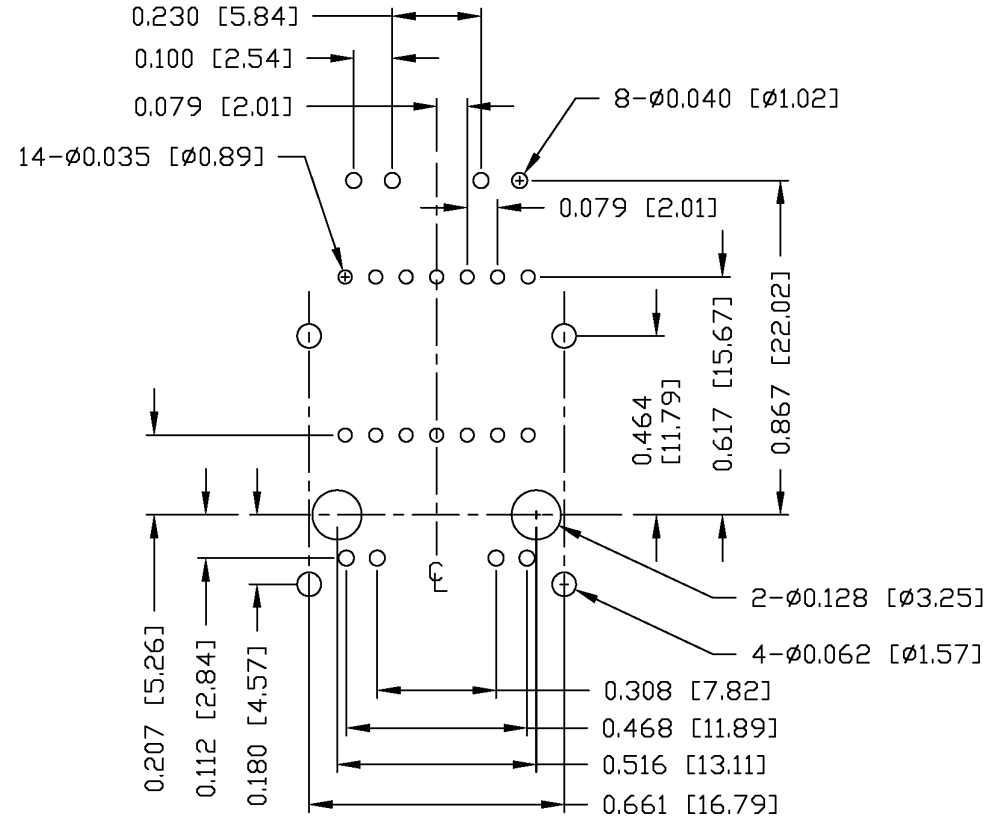
PRELIMINARY



LED CONFIGURATION



PIN-OUT INFORMATION
(COMPONENT SIDE VIEW)
(SCALE 2:1)



SUGGESTED FOOTPRINT
(COMPONENT SIDE VIEW)
(SCALE 2:1)

ORIGINATED BY	DATE	TITLE	PART NO. / DRAWING NO.	STANDARD DIM. TOL. IN INCH	[] METRIC DIM. AS REFERENCE
BILL/KEUNG	12-21-05	2X1 MagJack® (with LED)	0845-2R1T-H5	.X	UNIT : INCH [mm] REV. : PA
DRAWN BY	DATE		FILE NAME	.XX	SCALE : N/A SIZE : A4
QIN	12-21-05		08452R1TH5PA.DWG	.XXX ±0.004	PAGE : 5

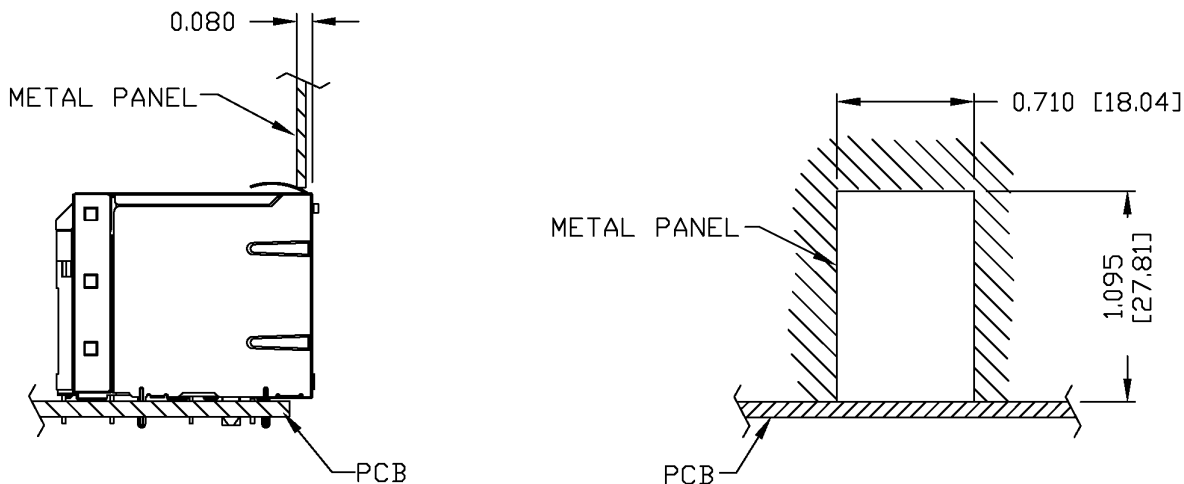


THE INFORMATION CONTAINED HEREIN IS CONSIDERED "PROPRIETARY" TO BEL FUSE INC. AND SHALL NOT BE COPIED, REPRODUCED OR DISCLOSED WITHOUT THE WRITTEN APPROVAL OF BEL FUSE INC.

PRELIMINARY



SUGGESTED PANEL OPENING



NOTE:

THE DISTANCE OF PANEL INSIDE SURFACE RELATIVE TO FRONT SURFACE OF PART IS ONLY A SUGGESTION. IN CASE THIS DISTANCE IS DIFFERENT, THE REQUIRED PANEL OPENING DIMENSIONS CHANGE ACCORDINGLY.

PACKING INFORMATION

PACKING TRAY: 0200-9999-H5 (TOP)
0200-9999-H6 (BOTTOM)

PACKING QUANTITY: 40 PCS FINISHED GOODS PER TRAY
6 TRAYS (240 PCS FINISHED GOODS) PER CARTON BOX.

NOTE: CARDBOARD ARE PLACED BETWEEN LAYERS OF PACKING TRAY INSIDE CARTON BOX.
(INCLUDE THE UPPERMOST AND LOWEREST TRAY)

ORIGINATED BY	DATE	TITLE	PART NO. / DRAWING NO.	STANDARD DIM.	[] METRIC DIM. AS REFERENCE	
BILL/KEUNG	12-21-05			TOL. IN INCH	UNIT : INCH [mm]	REV. : PA
DRAWN BY	DATE	2X1 MagJack® (with LED)	FILE NAME	.X	SCALE : N/A	SIZE : A4
QIN	12-21-05			.XX	±0.004	PAGE : 6
				.XXX		

