

THE INFORMATION CONTAINED HEREIN IS CONSIDERED "PROPRIETARY" TO BEL FUSE INC. AND SHALL NOT BE COPIED, REPRODUCED OR DISCLOSED WITHOUT THE WRITTEN APPROVAL OF BEL FUSE INC.

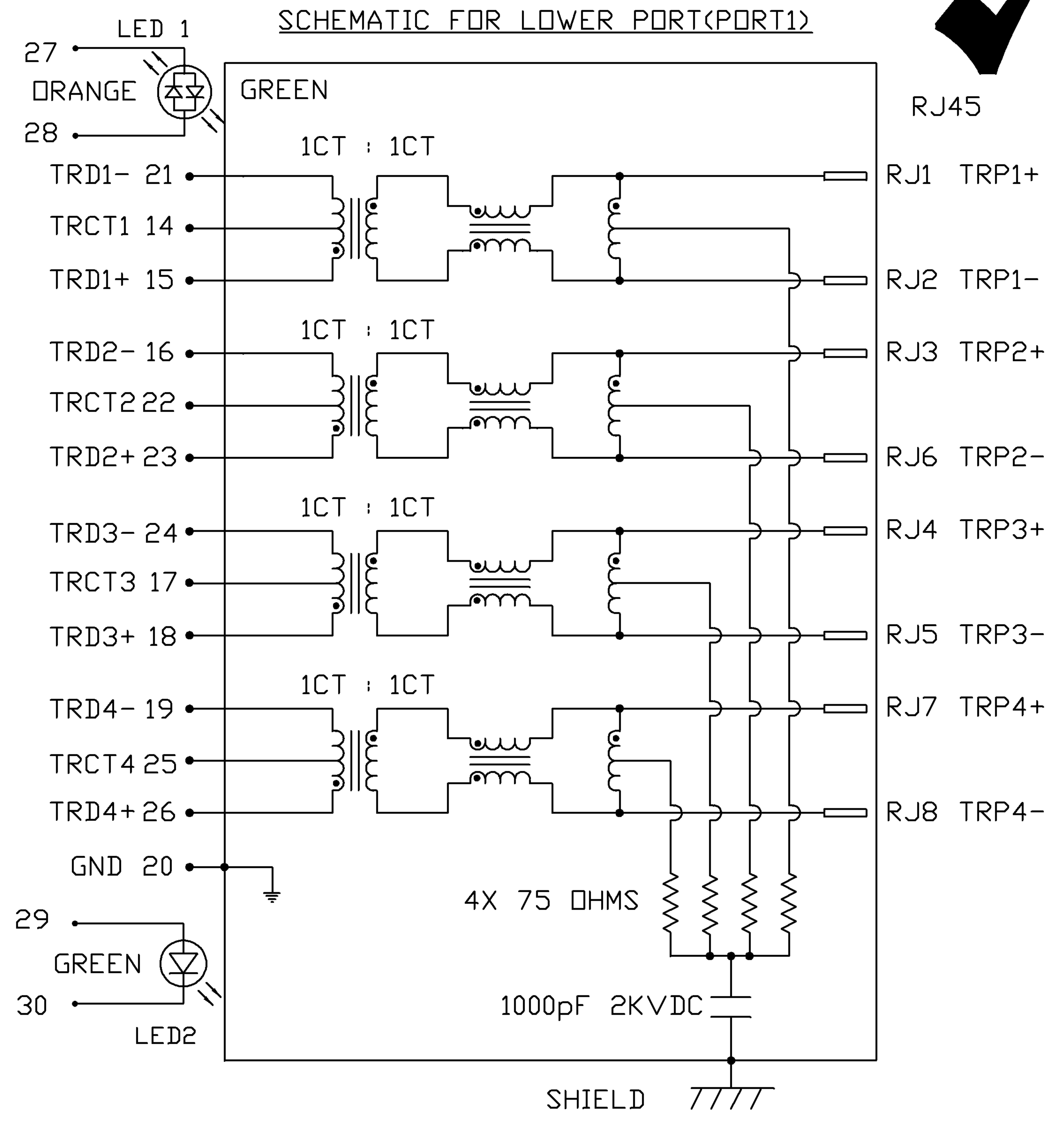
PRELIMINARY



LED1 POLARITY			LED2 POLARITY		
PIN 27	PIN 28	COLOR	PIN 29	PIN 30	COLOR
+	-	GREEN	+	-	GREEN
-	+	ORANGE			

ELECTRICAL CHARACTERISTICS @ 25°C

TURNS RATIO		
TP1	1CT : 1CT	±2%
TP2	1CT : 1CT	±2%
TP3	1CT : 1CT	±2%
TP4	1CT : 1CT	±2%
DCL @ 100kHz, 100mVRMS		
8mA DC BIAS	350 μH	MIN.
INS. LOSS		
100KHz TO 100MHZ	-1.1 dB	MAX
RET. LOSS (MIN)		
1MHZ-30MHZ	-18 dB	
30MHZ-60MHZ	-16 dB	
60MHZ-80MHZ	-14 dB	
80MHZ-100MHZ	-12 dB	
CM TO CM REJ		
100kHz - 100MHZ	-25 dB	TYP
CROSS TALK		
1MHZ - 60MHZ	-35 dB	TYP
60MHZ - 100MHZ	-25 dB	TYP
HIPOT (Isolation Voltage):		1500 Vrms
100% OF PRODUCT TESTED IN PRODUCTION TO COMPLY WITH IEEE 802.3 REQUIREMENTS		
LEAKAGE INDUCTANCE		
PRIMARY W/ SECONDARY SHORTED	0.3μH	Max. @ 1MHz
INTERWINDING CAPACITANCE		
PER CHANNEL (PRI. TO SEC.)	50pF	Max @ 1MHz
DC RESISTANCE		
(21-15)=(16-23)=(24-18)=(19-26)	1.2 ohms	Max
(RJ1-RJ2)=(RJ3-RJ6)=(RJ4-RJ5)=(RJ7-RJ8)	1.2 ohms	Max
LED 1		
V _F (FORWARD VOLTAGE)	I _F =20mA	GREEN 2.2V TYP. ORANGE 2.0V TYP.
λ _D (DOMINANT WAVELENGTH)	I _F =20mA	GREEN 565nm TYP. ORANGE 610nm TYP.
LED 2		
V _F (FORWARD VOLTAGE)	I _F =20mA	GREEN 2.2V TYP.
λ _D (DOMINANT WAVELENGTH)	I _F =20mA	GREEN 565nm TYP.



ORIGINATED BY CHOW WANGCHUNG	DATE 11-06-08	TITLE 2X1 gigabit MagJack® (with LED)	PART NO. / DRAWING NO. 0845-2E1T-E4	STANDARD DIM. TOL. IN INCH	[] METRIC DIM. AS REFERENCE	 COMPONENTS FOR A CONNECTED PLANET
DRAWN BY LEE WEIDE	DATE 11-06-08	FILE NAME 0845-2E1T-E4_PB.DWG	.X	UNIT : INCH [mm]	REV. : PB	
			.XX	SCALE : N/A	SIZE : A4	
			.XXX		PAGE : 2	

THE INFORMATION CONTAINED HEREIN IS CONSIDERED "PROPRIETARY" TO BEL FUSE INC. AND SHALL NOT BE COPIED, REPRODUCED OR DISCLOSED WITHOUT THE WRITTEN APPROVAL OF BEL FUSE INC.

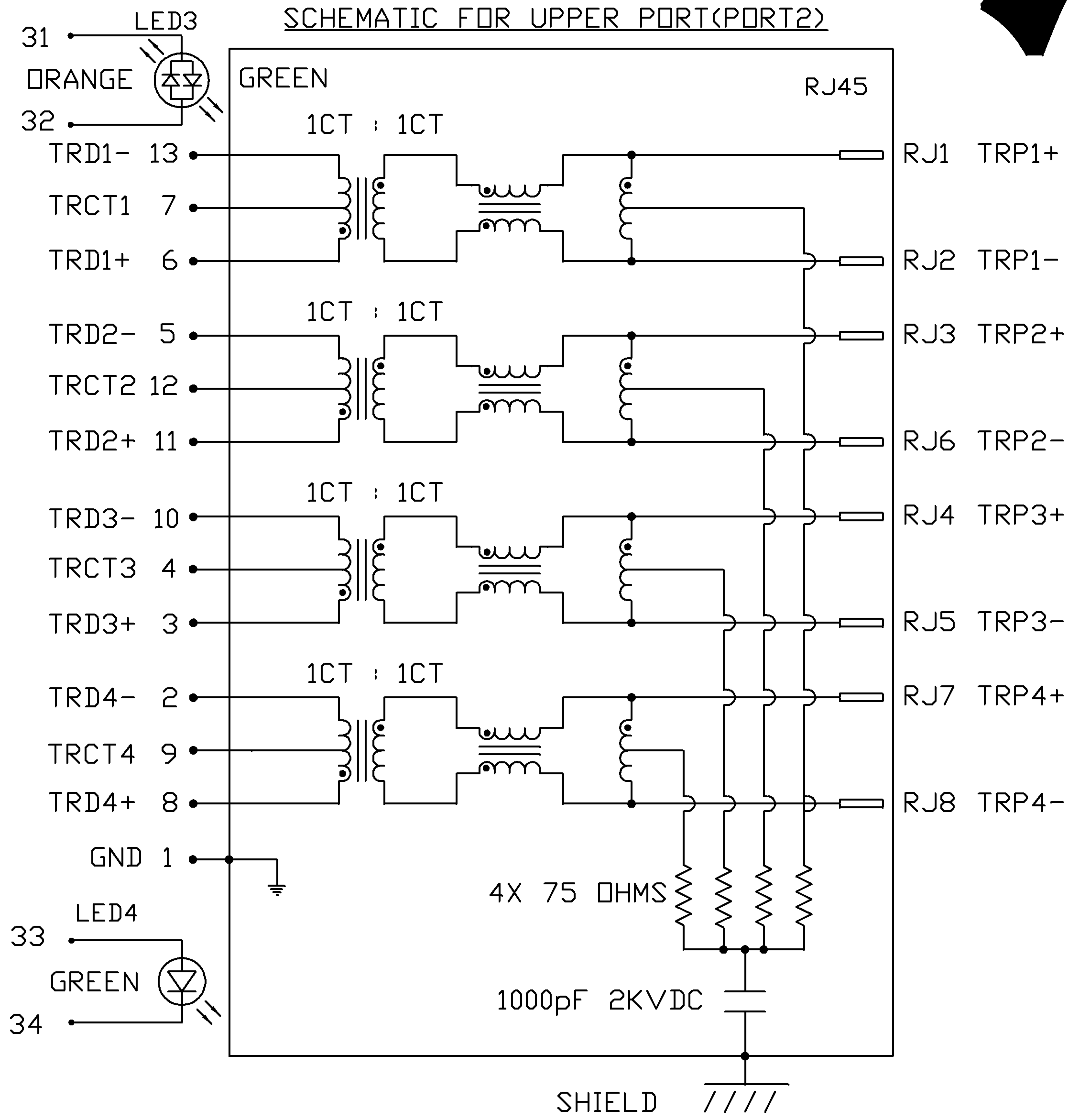
PRELIMINARY



LED3 POLARITY			LED4 POLARITY		
PIN 31	PIN 32	COLOR	PIN 33	PIN 34	COLOR
+	-	GREEN	+	-	GREEN
-	+	ORANGE			

ELECTRICAL CHARACTERISTICS @ 25°C

TURNS RATIO		1CT : 1CT ±2%
TP1		1CT : 1CT ±2%
TP2		1CT : 1CT ±2%
TP3		1CT : 1CT ±2%
TP4		1CT : 1CT ±2%
□CL @ 100kHz,100mVRMS		
8mA DC BIAS		350 μH MIN.
INS. LOSS		
100KHz TO 100MHz		-1.1 dB MAX
RET. LOSS (MIN)		
1MHz-30MHz		-18 dB
30MHz-60MHz		-16 dB
60MHz-80MHz		-14 dB
80MHz-100MHz		-12 dB
CM TO CM REJ		
100kHz - 100MHz		-25 dB TYP
CROSS TALK		
1MHz - 60MHz		-35 dB TYP
60MHz - 100MHz		-25 dB TYP
HIPOT (Isolation Voltage):		1500 Vrms
100% OF PRODUCT TESTED IN PRODUCTION TO COMPLY WITH IEEE 802.3 REQUIREMENTS		
LEAKAGE INDUCTANCE		
PRIMARY W/ SECONDARY SHORTED		0.3μH Max. @ 1MHz
INTERWINDING CAPACITANCE		
PER CHANNEL (PRI. TO SEC.)		50pF Max @ 1MHz
DC RESISTANCE		
(13-6)=(5-11)=(10-3)=(2-8)		1.2 ohms Max
(RJ1-RJ2)=(RJ3-RJ6)=(RJ4-RJ5)=(RJ7-RJ8)		1.2 ohms Max
LED 1		
V _F (FORWARD VOLTAGE)	IF=20mA	GREEN 2.2V TYP. ORANGE 2.0V TYP.
λ _D (DOMINANT WAVELENGTH)	IF=20mA	GREEN 565nm TYP. ORANGE 610nm TYP.
LED 2		
V _F (FORWARD VOLTAGE)	IF=20mA	GREEN 2.2V TYP.
λ _D (DOMINANT WAVELENGTH)	IF=20mA	GREEN 565nm TYP.

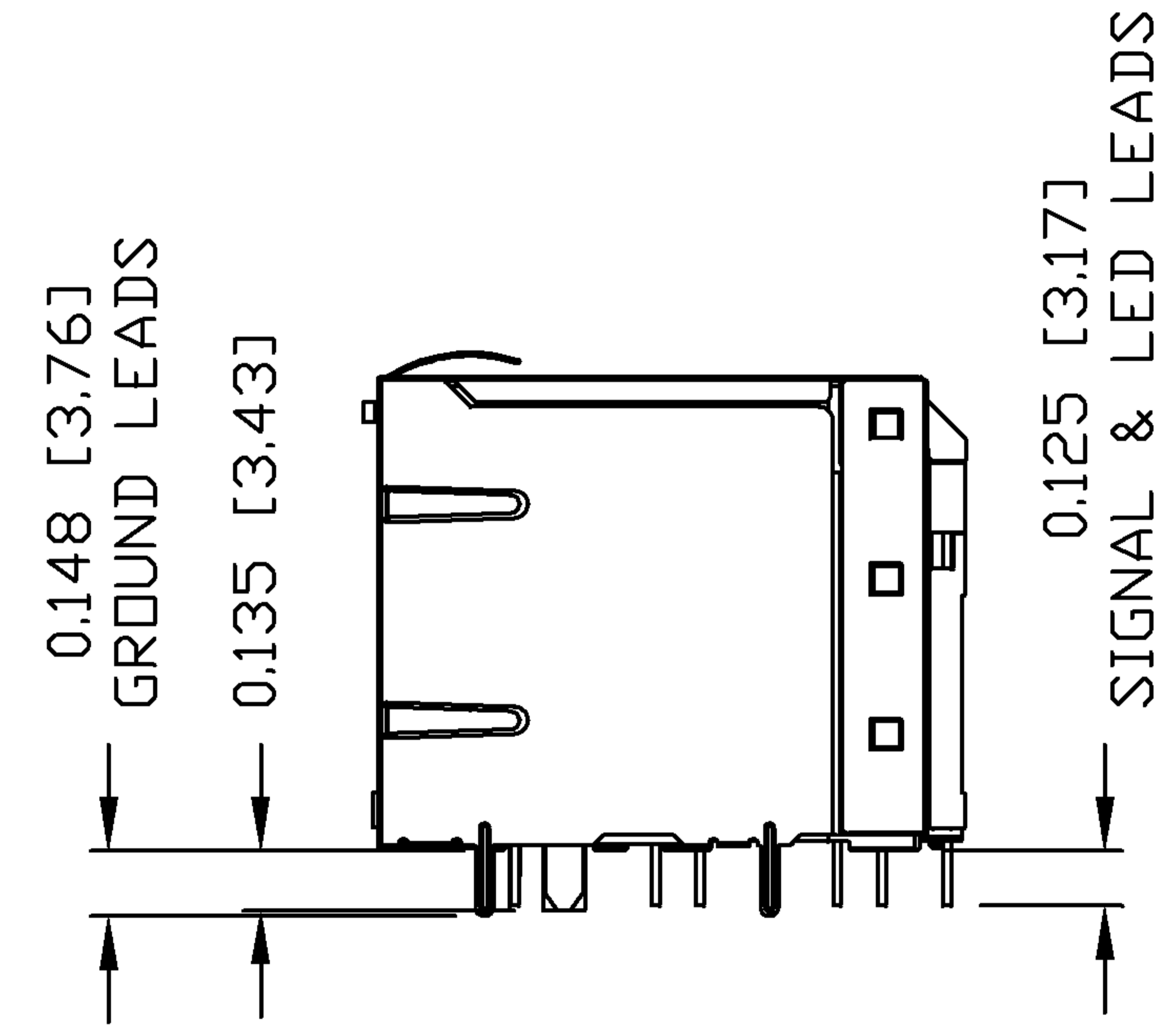
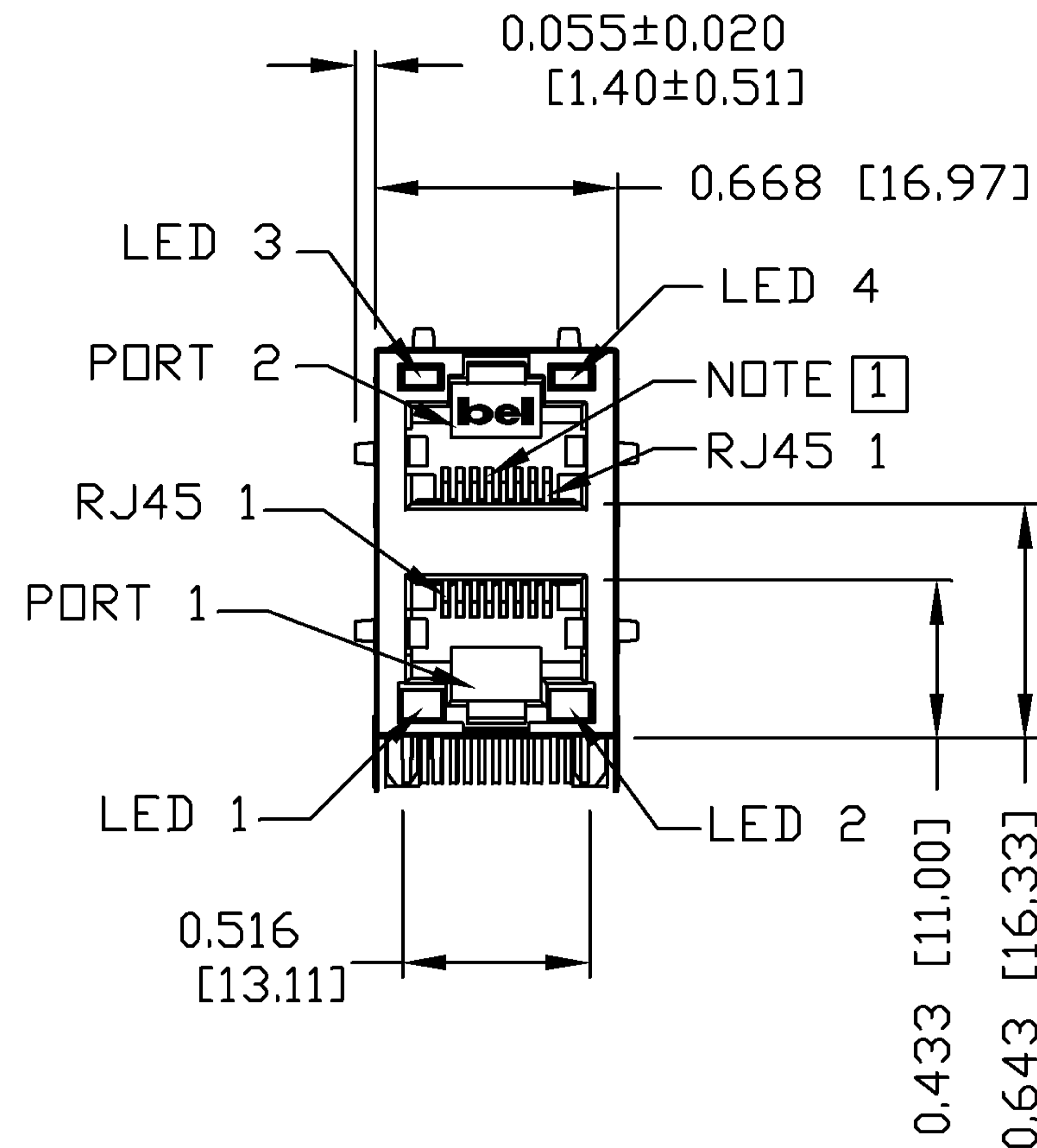
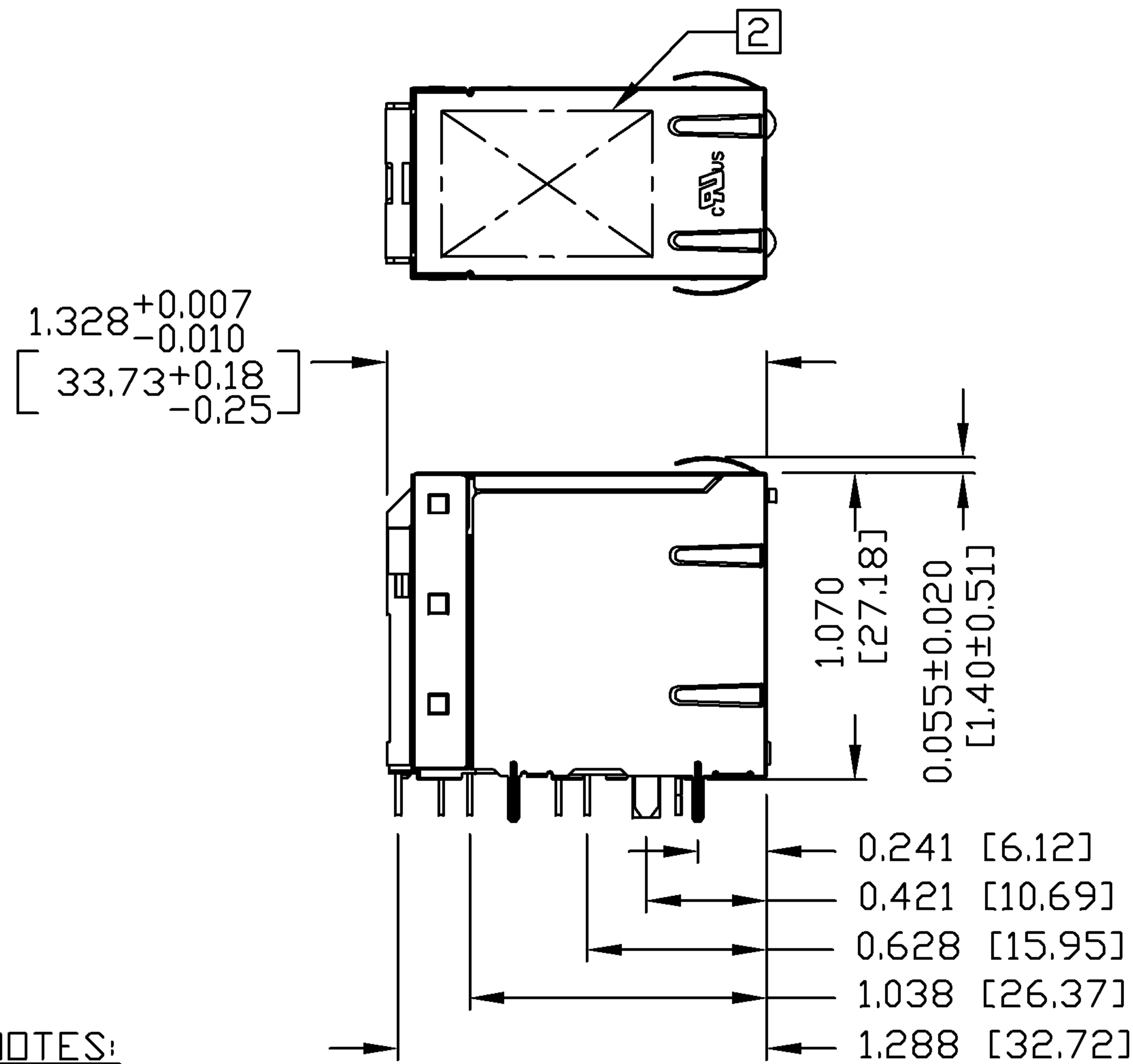


ORIGINATED BY CHOW WANGCHUNG	DATE 11-06-08	TITLE 2X1 gigabit MagJack® (with LED)	PART NO. / DRAWING NO. 0845-2E1T-E4	STANDARD DIM. TOL. IN INCH	[] METRIC DIM. AS REFERENCE	 COMPONENTS FOR A CONNECTED PLANET
DRAWN BY LEE WEIDE	DATE 11-06-08	FILE NAME 0845-2E1T-E4_PB.DWG	.X	UNIT : INCH [mm]	REV. : PB	
			.XX	SCALE : N/A	SIZE : A4	
			.XXX		PAGE : 3	

THE INFORMATION CONTAINED HEREIN IS CONSIDERED "PROPRIETARY" TO BEL FUSE INC. AND SHALL NOT BE COPIED, REPRODUCED OR DISCLOSED WITHOUT THE WRITTEN APPROVAL OF BEL FUSE INC.

PRELIMINARY

RoHS
2002/95/EC



NOTES:

- PLASTIC HOUSING: THERMOPLASTIC PBT
FLAMMABILITY RATING UL 94V-0
- CONTACT PLATING: 50 MICRO-INCH HARD GOLD PLATING
- OUTPUT PINS: TIN-COATED COPPER WIRE, DIA 0.018 INCH.
- METAL SHIELD: NICKEL PLATED ON COPPER ALLOY.
(ALL GROUND LEADS ARE SOLDER DIPPED)

RoHS COMPLIANCE, PER EU DIRECTIVE 2002/95/EC.

- [1] JACK CAVITY CONFORMS TO FCC RULES AND REGULATIONS, PART 68 SUBPART F.
- [2] MARK PART WITH MFG LOGO, MFG NAME, PART NUMBER, AND DATE CODE.

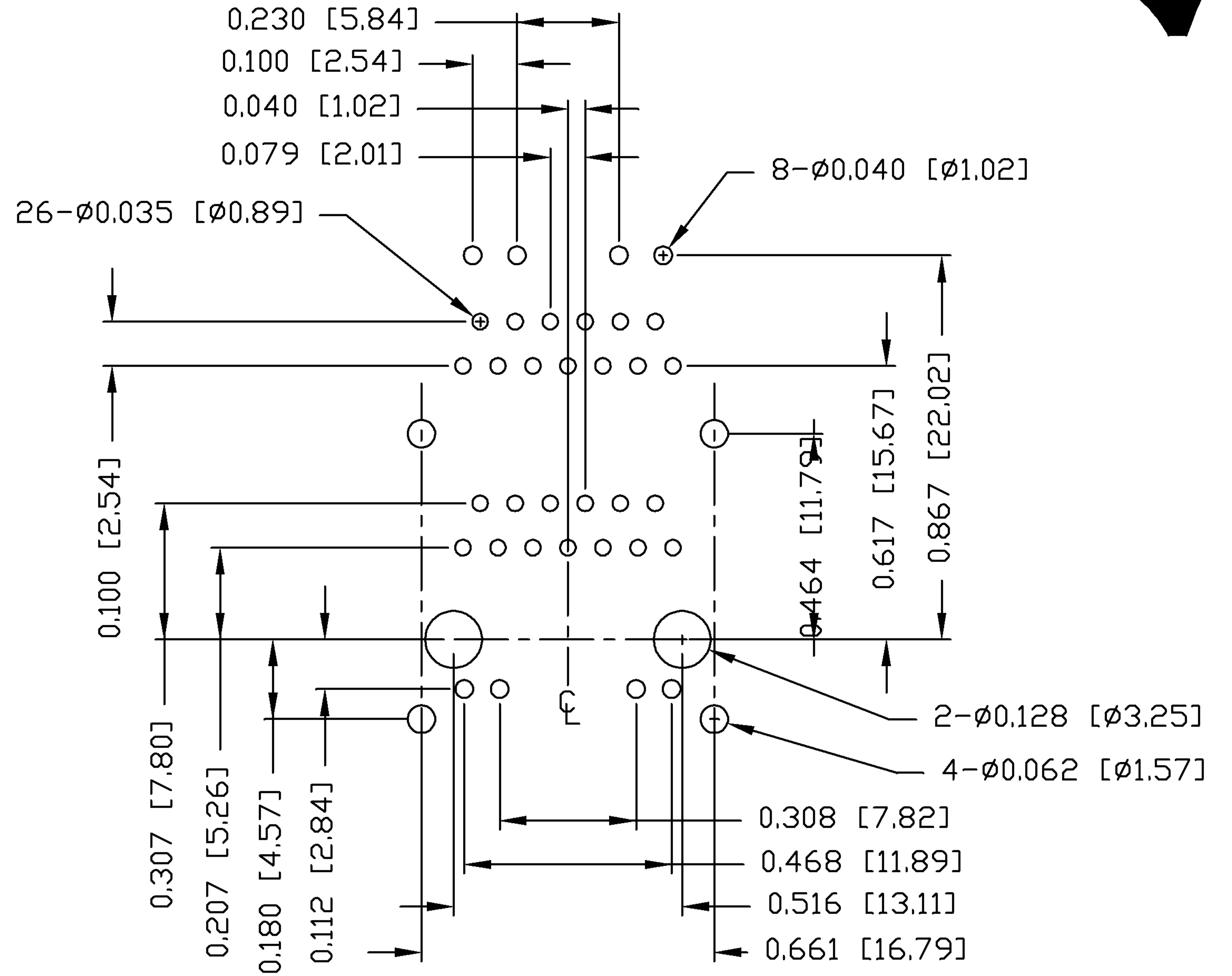
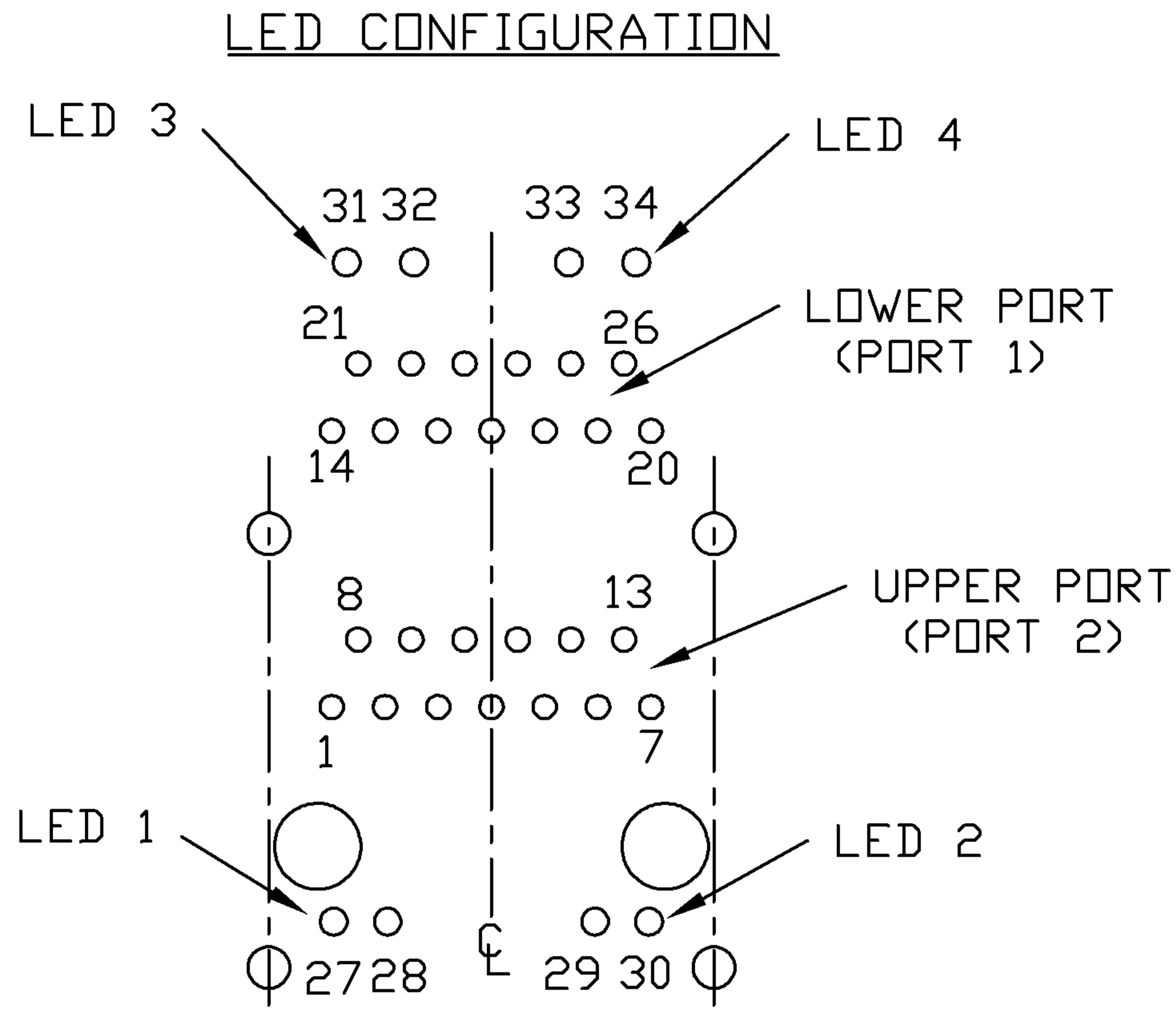
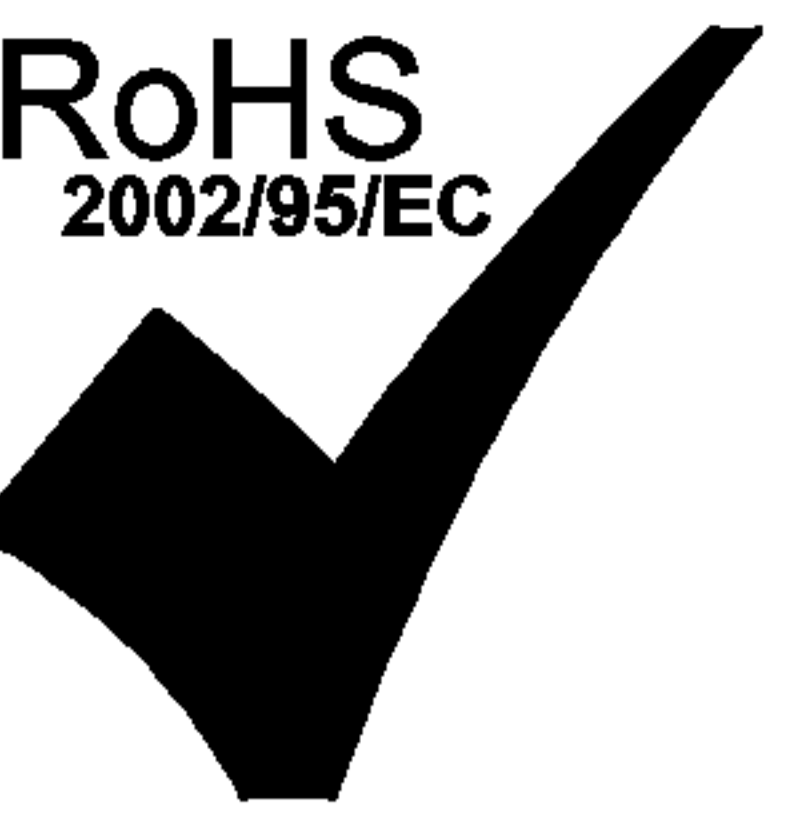
c usUL RECOGNIZED - FILE #E196366 AND E169987.

ORIGINATED BY	DATE	TITLE	PART NO. / DRAWING NO.	STANDARD DIM. TOL. IN INCH	[] METRIC DIM. AS REFERENCE
CHEN BILL	11-06-08	2X1 gigabit MagJack® (with LED)	0845-2E1T-E4	.X	UNIT : INCH [mm] REV. : PB
DRAWN BY	DATE		FILE NAME	.XX	SCALE : N/A SIZE : A4
XIAN JIAXIN	11-06-08		0845-2E1T-E4_PB.DWG	.XXX ±0.010	PAGE : 4



THE INFORMATION CONTAINED HEREIN IS CONSIDERED "PROPRIETARY" TO BEL FUSE INC. AND SHALL NOT BE COPIED, REPRODUCED OR DISCLOSED WITHOUT THE WRITTEN APPROVAL OF BEL FUSE INC.

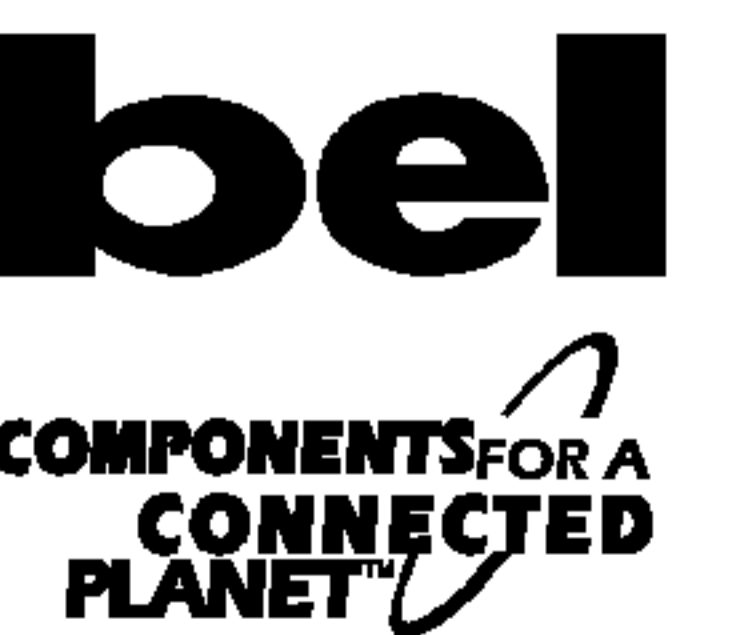
PRELIMINARY



PIN-OUT INFORMATION
(COMPONENT SIDE VIEW)
(SCALE 2:1)

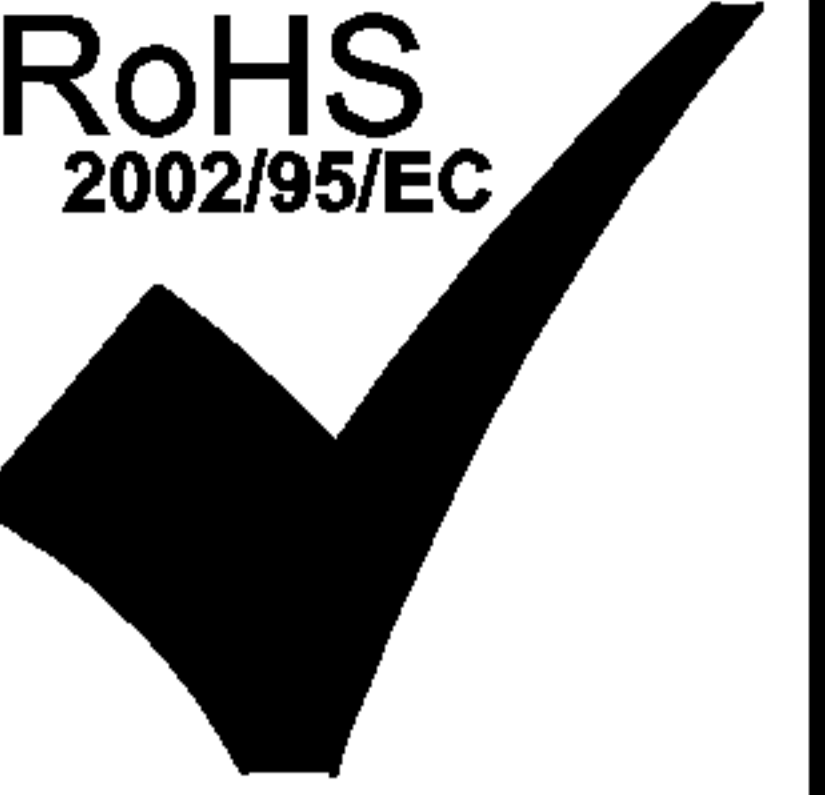
SUGGESTED FOOTPRINT
(COMPONENT SIDE VIEW)
(SCALE 2:1)

ORIGINATED BY CHEN BILL	DATE 11-06-08	TITLE 2X1 gigabit MagJack® (with LED)	PART NO. / DRAWING NO. 0845-2E1T-E4	STANDARD DIM. TOL. IN INCH	[] METRIC DIM. AS REFERENCE
DRAWN BY XIAN JIAXIN	DATE 11-06-08		FILE NAME 0845-2E1T-E4_PB.DWG	.X .XX .XXX	UNIT : INCH [mm] SCALE : N/A

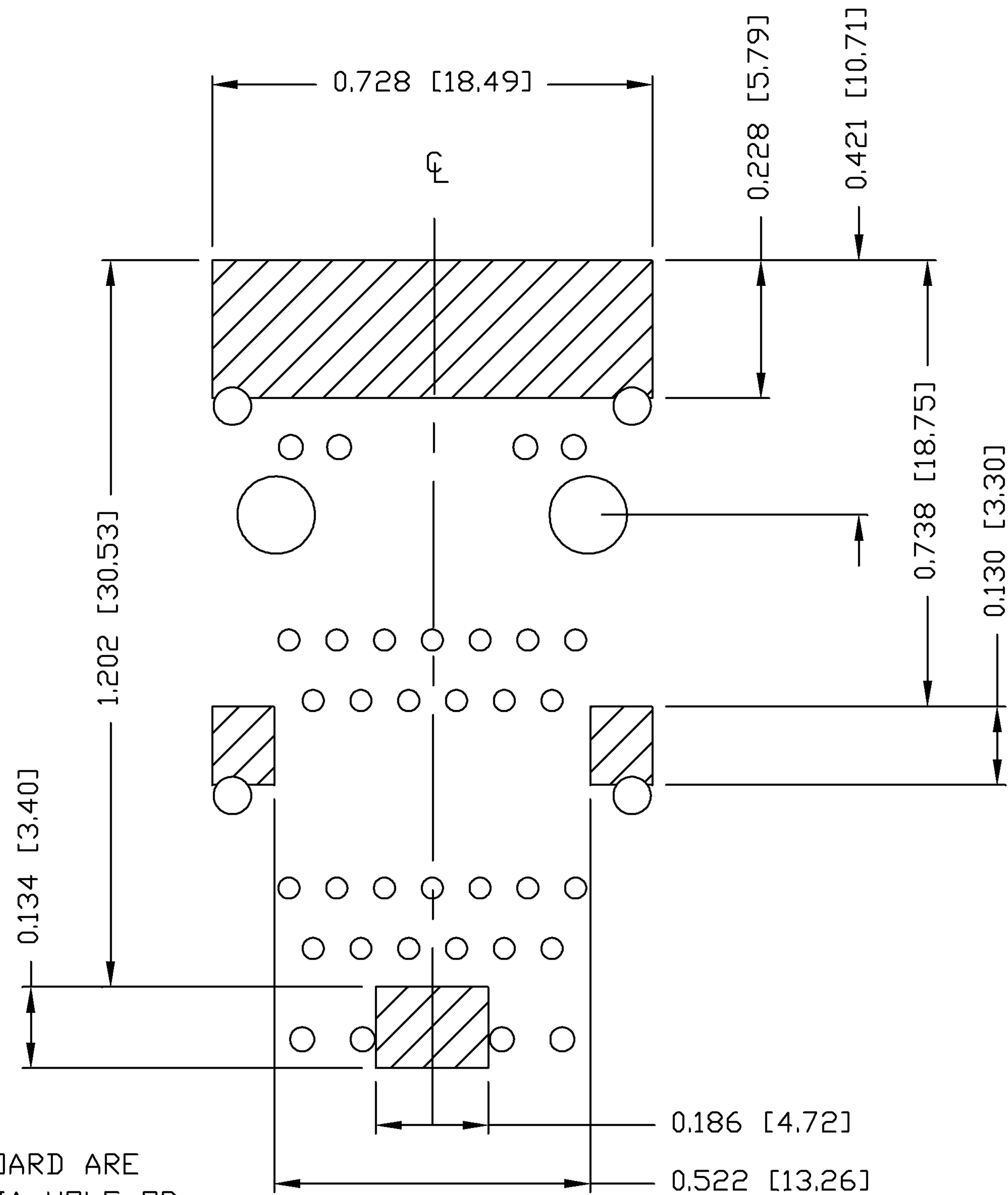


THE INFORMATION CONTAINED HEREIN IS CONSIDERED "PROPRIETARY" TO BEL FUSE INC. AND SHALL NOT BE COPIED, REPRODUCED OR DISCLOSED WITHOUT THE WRITTEN APPROVAL OF BEL FUSE INC.

RoHS
2002/95/EC



PRELIMINARY



NOTES

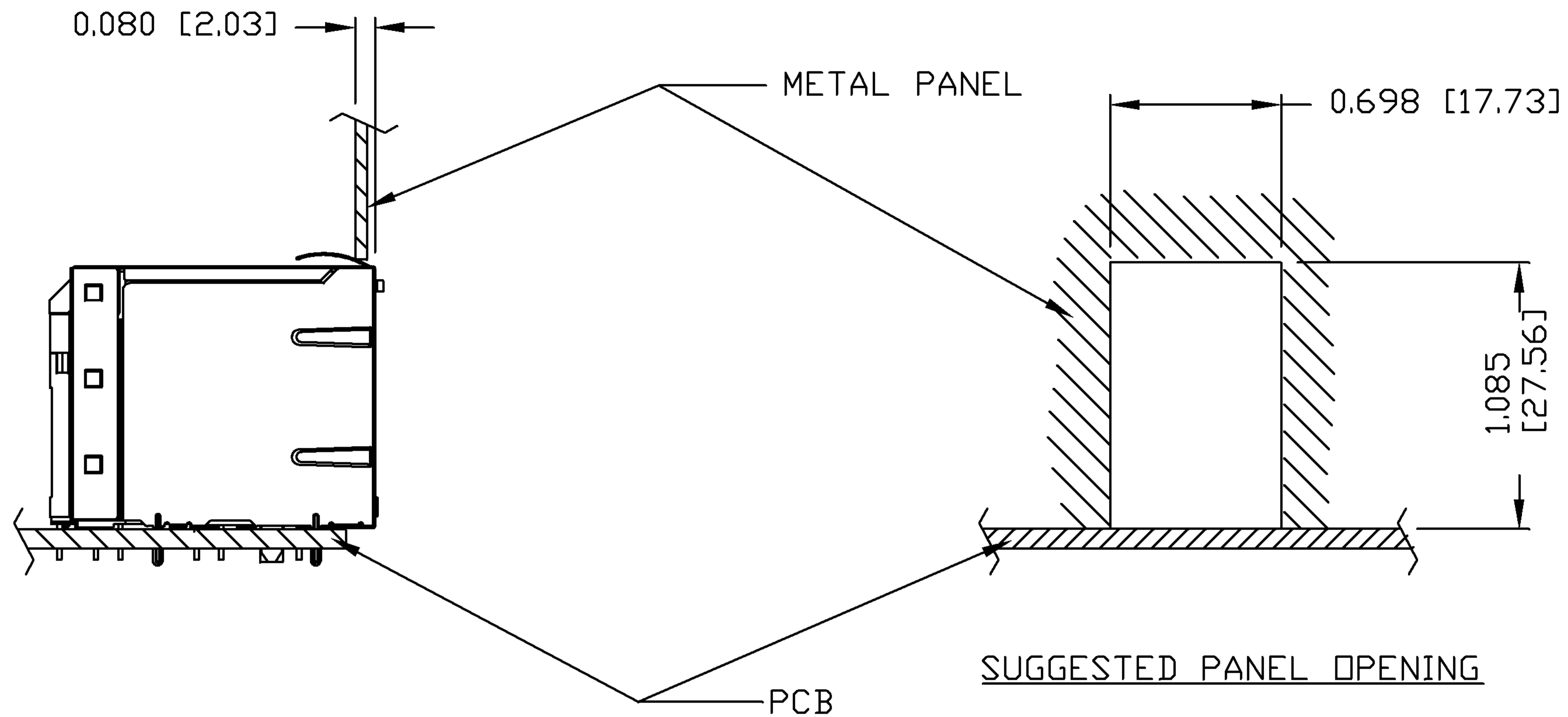
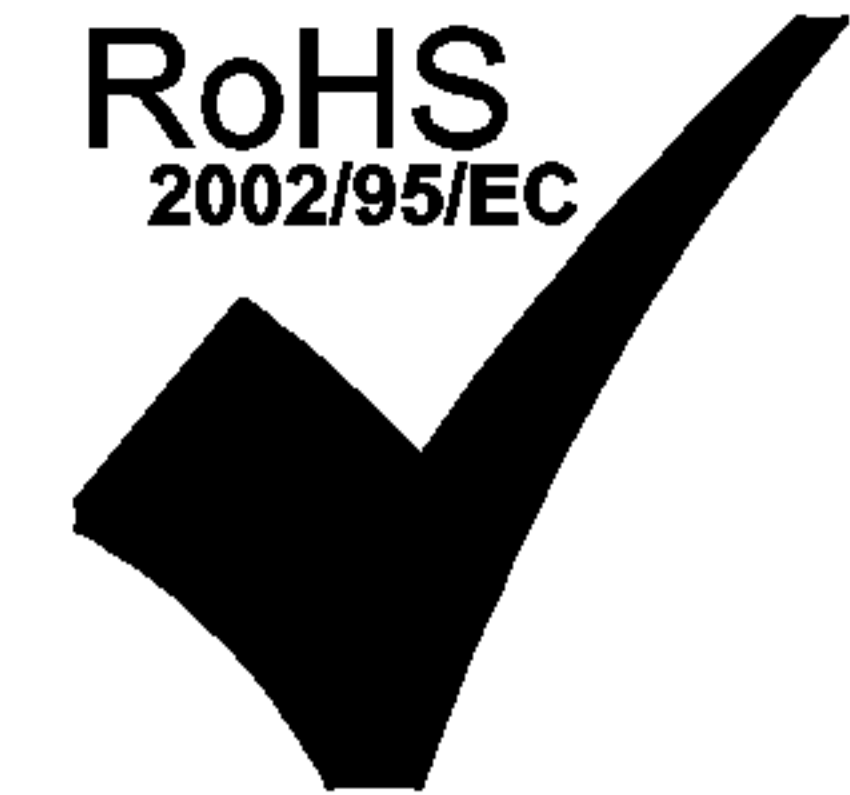
THE SHADED AREA ON THE CUSTOMER BOARD ARE RECOMMENDED TO BE CLEAR OFF ANY VIA HOLE OR COMPONENT PAD.

ORIGINATED BY CHEN BILL	DATE 11-06-08	TITLE 2X1 gigabit MagJack® (with LED)	PART NO. / DRAWING NO. 0845-2E1T-E4	STANDARD DIM. TOL. IN INCH	[] METRIC DIM. AS REFERENCE	
DRAWN BY XIAN JIAXIN	DATE 11-06-08		FILE NAME 0845-2E1T-E4_PB.DWG	.X .XX .XXX	UNIT : INCH [mm] SCALE : N/A	REV. : PB SIZE : A4 PAGE : 6
				±0.004		



THE INFORMATION CONTAINED HEREIN IS CONSIDERED "PROPRIETARY" TO BEL FUSE INC. AND SHALL NOT BE COPIED, REPRODUCED OR DISCLOSED WITHOUT THE WRITTEN APPROVAL OF BEL FUSE INC.

PRELIMINARY



NOTE:

THE DISTANCE OF PANEL INSIDE SURFACE RELATIVE TO FRONT SURFACE OF PART IS ONLY A SUGGESTION. IN CASE THIS DISTANCE IS DIFFERENT, THE REQUIRED PANEL OPENING DIMENSIONS CHANGE ACCORDINGLY.

PACKING INFORMATION

PACKING TRAY: 0200-9999-H5 (TOP)
0200-9999-H6 (BOTTOM)

PACKING QUANTITY: 40 PCS FINISHED GOODS PER TRAY
6 TRAYS (240 PCS FINISHED GOODS) PER CARTON BOX.

NOTE: CARDBOARD ARE PLACED BETWEEN LAYERS OF PACKING TRAY INSIDE CARTON BOX.
(INCLUDE THE UPPERMOST AND LOWEREST TRAY)

ORIGINATED BY CHEN BILL	DATE 11-06-08	TITLE 2X1 gigabit MagJack® (with LED)	PA: I NO. / DRAWING NO. 0845-2E1T-E4	STANDARD DIM. TOL. IN INCH	[] METRIC DIM. AS REFERENCE	
DRAWN BY XIAN JIAXIN	DATE 11-06-08		FILE NAME 0845-2E1T-E4_PB.DWG	.X .XX .XXX	UNIT : INCH [mm] SCALE : N/A	REV. : PB SIZE : A4 PAGE : 7
				±0.004		

