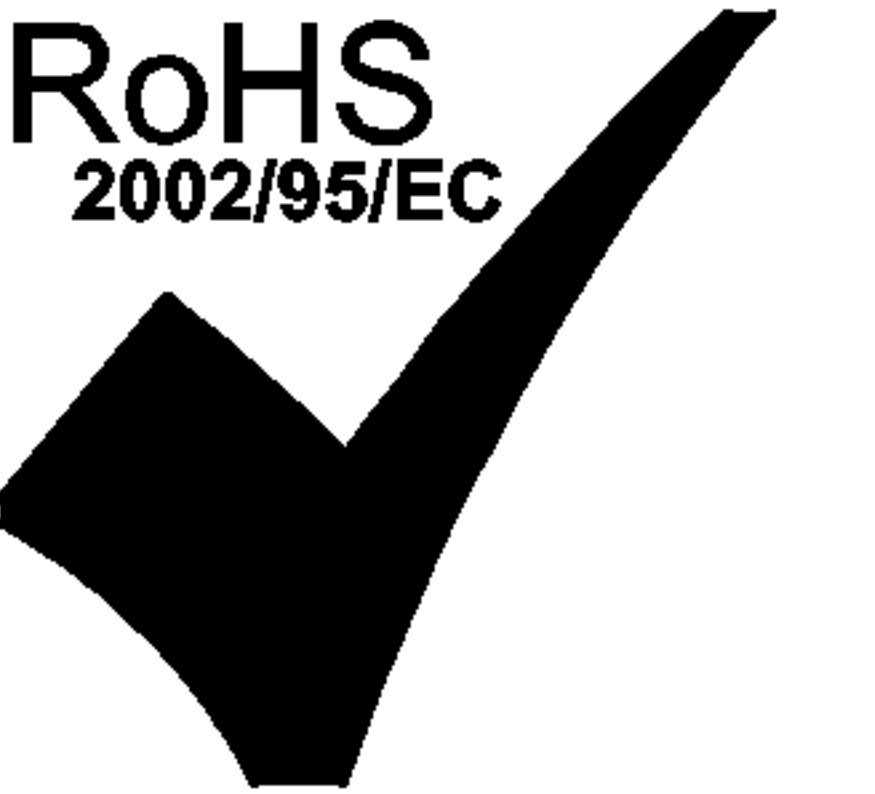


THE INFORMATION CONTAINED HEREIN IS CONSIDERED "PROPRIETARY" TO BEL FUSE INC. AND SHALL NOT BE COPIED, REPRODUCED OR DISCLOSED WITHOUT THE WRITTEN APPROVAL OF BEL FUSE INC.

LED POLARITY			
PIN 13	PIN 12	PIN 11	COLOR
-	+	/	GREEN
/	+	-	ORANGE

PRELIMINARY



**ELECTRICAL CHARACTERISTICS @ 25°C**

**TURNS RATIO**

TP1	1CT : 1CT ±2%
TP2	1CT : 1CT ±2%
TP3	1CT : 1CT ±2%
TP4	1CT : 1CT ±2%

**QCL @ 100kHz/100mVRMS**

8mA DC BIAS 350µH MIN.

**INS. LOSS**

0.1MHz TO 1MHz	-1.1 dB MAX
1MHz TO 65MHz	-0.5 dB MAX
65MHz TO 100MHz	-0.8 dB MAX
100MHz TO 125MHz	-1.2 dB MAX

**RET. LOSS (MIN) @ 100DHMS ±15%**

0.5MHz-40MHz	-18 dB
40MHz-100MHz	-12+20LOG(f/80MHz) dB

**CM TO CM REJ**

100kHz - 100MHz -30 dB MIN

**CM TO DM REJ**

100kHz - 100MHz -35 dB MIN

**HIPOT (Isolation Voltage):**

RJ1-8 TO SHIELD	1500 Vrms
RJ1-8 TO PIN1-10	1500 Vrms
PIN1-10 TO SHIELD	800 VDC

100% OF PRODUCTION TESTED TO COMPLY WITH IEEE 802.3 ISOLATION REQUIREMENTS.

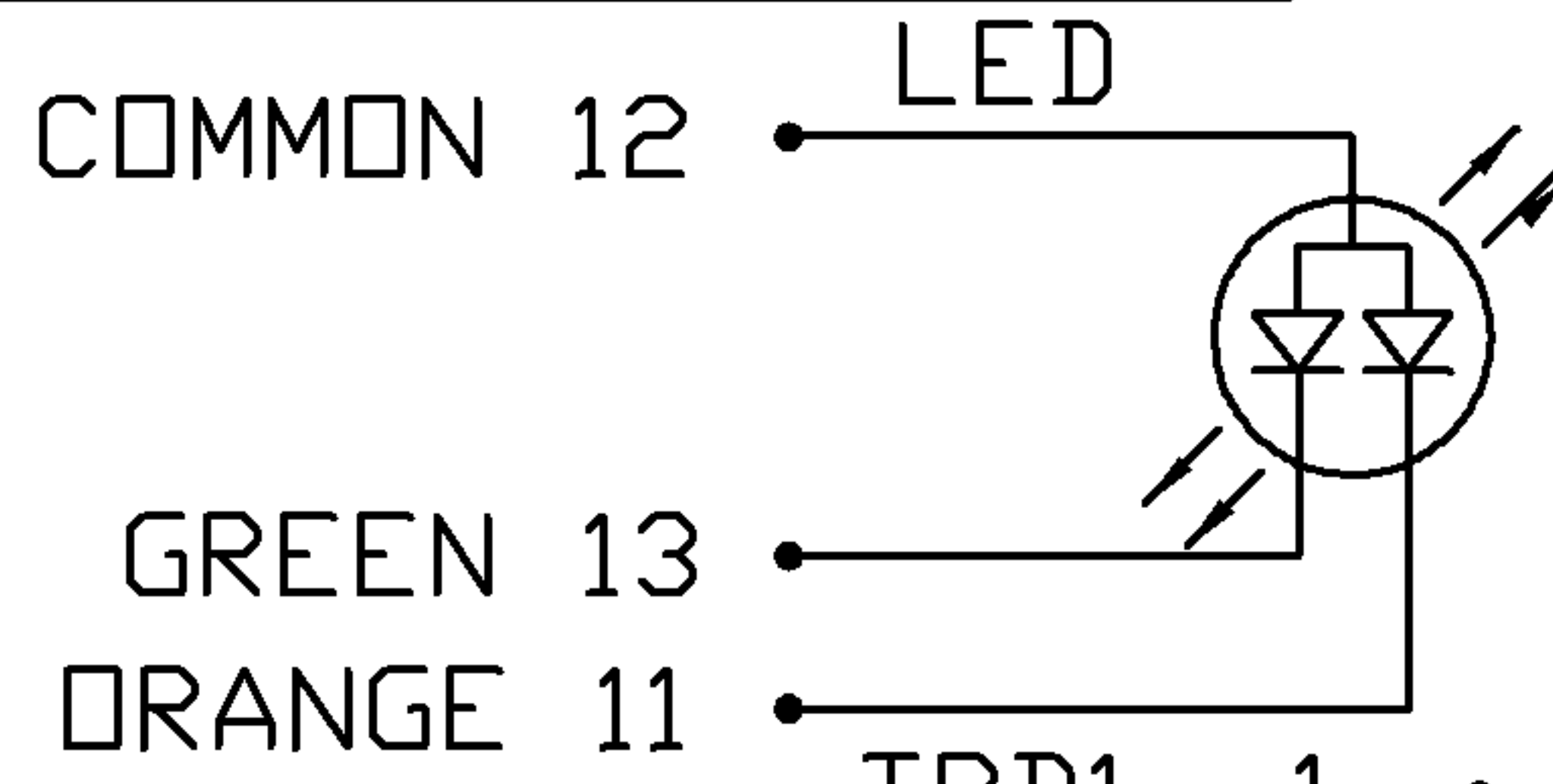
**LED**

VF (FORWARD VOLTAGE)	IF=20mA GREEN 2.2V TYP. ORANGE 2.0V TYP.
λD (DOMINANT WAVELENGTH)	IF=20mA GREEN 565nm TYP. ORANGE 610nm TYP.

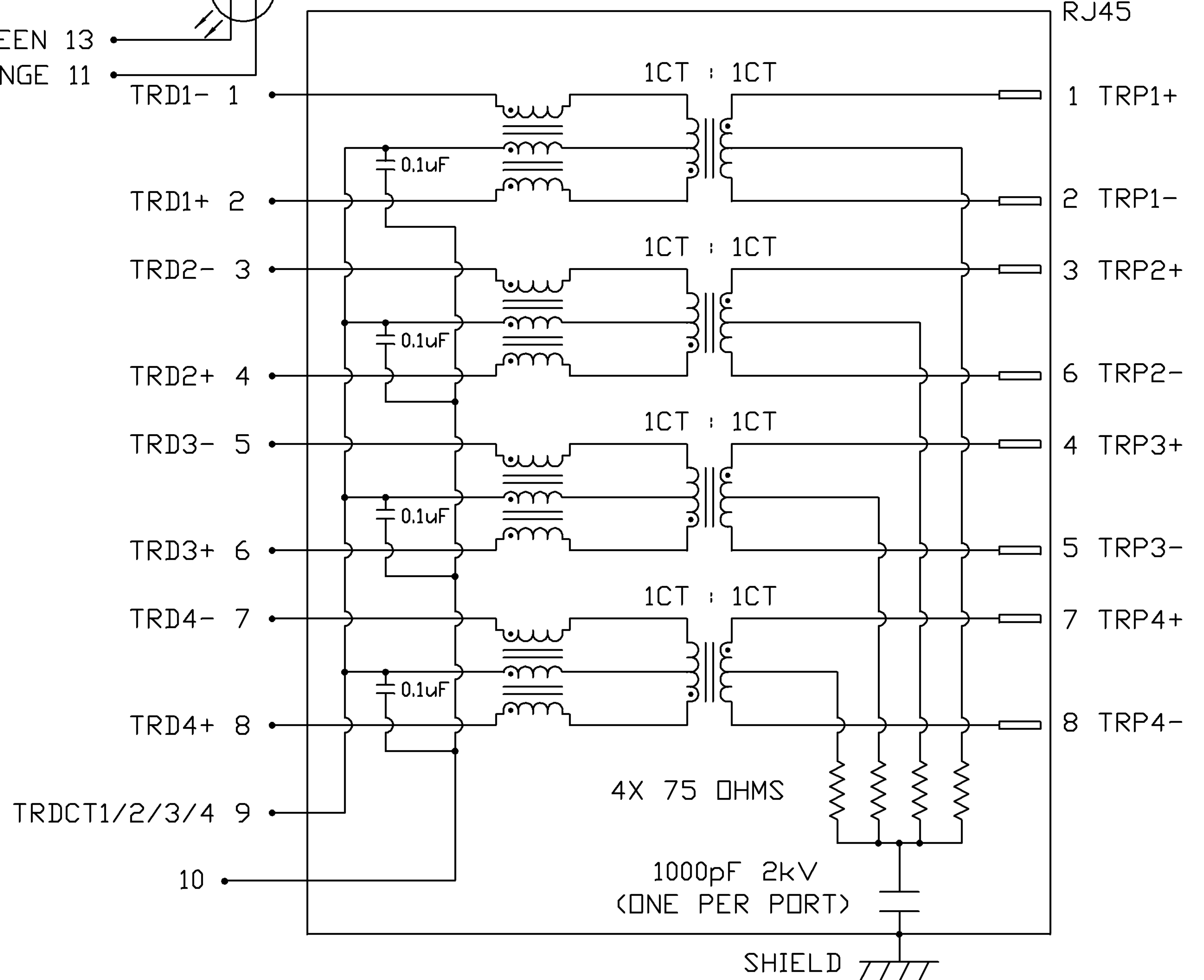
OPERATING TEMPERATURE: -40 TO +85°C

**NOTES:**

SCHEMATIC & ELECTRICAL CHARACTERISTICS ARE IDENTICAL FOR PORT 1 & PORT 2.



**SCHEMATIC**



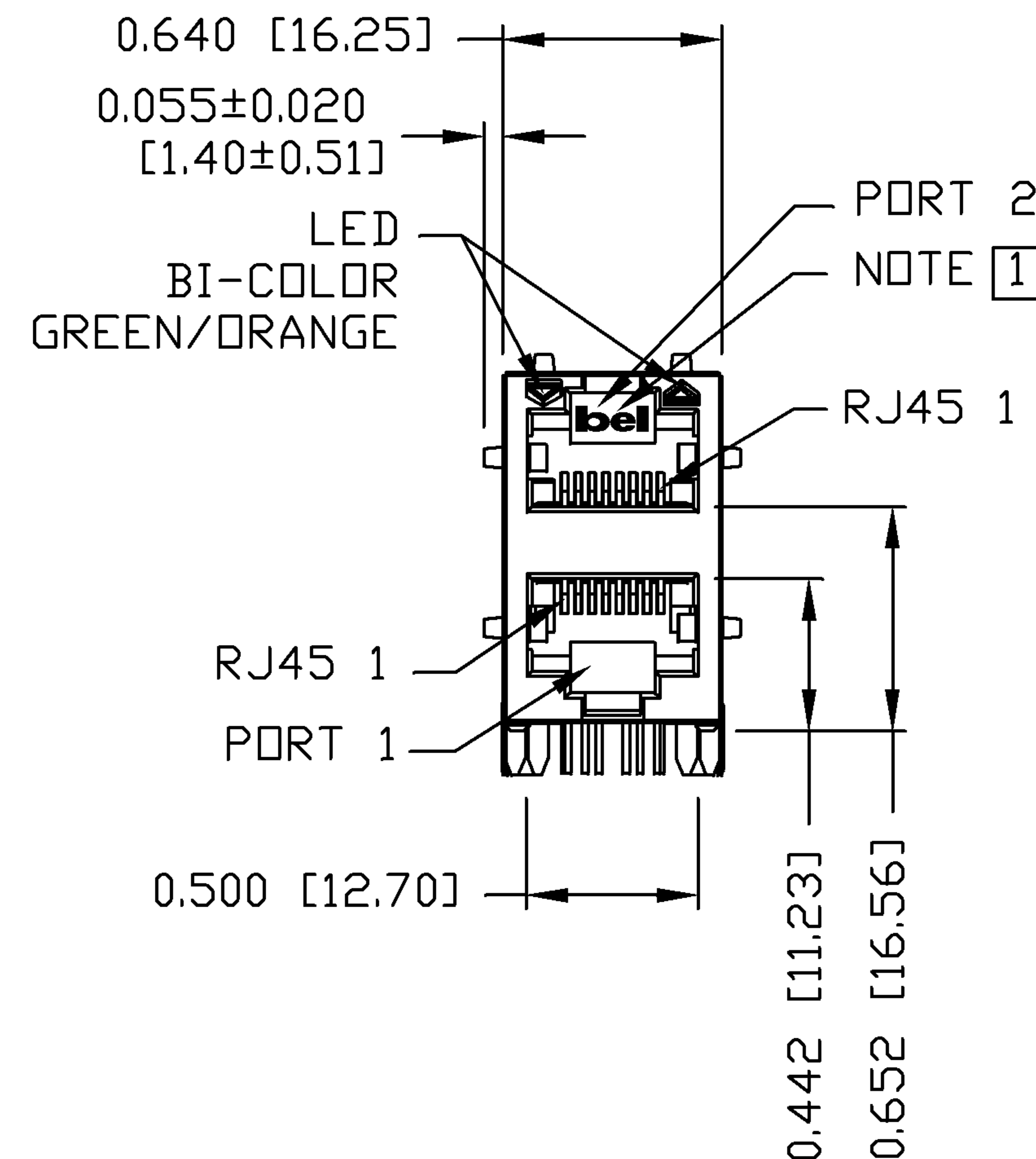
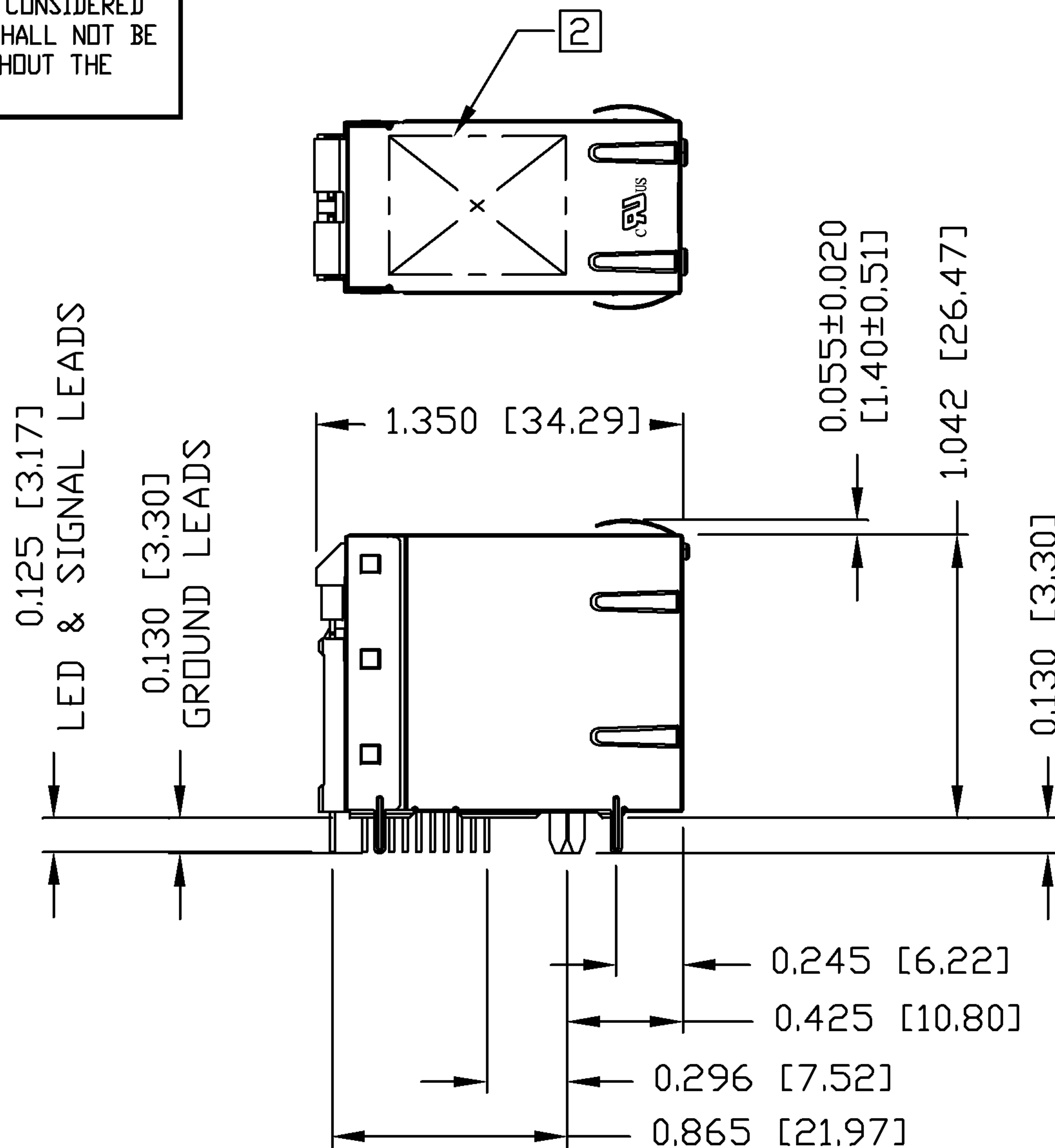
<b>ORIGINATED BY</b> WANCHUNG CHOW	<b>DATE</b> 04-25-08	<b>TITLE</b> 2X1 gigabit MagJack® (8 cores, Extend Temp) 0843-2B1T-DA-F	<b>PART NO. / DRAWING NO.</b> 08432B1TDA-F	<b>STANDARD DIM. TOL. IN INCH</b>	<b>[ ] METRIC DIM. AS REFERENCE</b>		<b>bel</b> COMPONENTS FOR A CONNECTED PLANET™
<b>DRAWN BY</b> WEIDE LEE	<b>DATE</b> 04-25-08		<b>FILE NAME</b> 08432B1TDA-F_PA.DWG	.X .XX .XXX	UNIT : INCH [mm] SCALE : N/A	REV. : PA SIZE : A4	
						PAGE : 2	

THE INFORMATION CONTAINED HEREIN IS CONSIDERED "PROPRIETARY" TO BEL FUSE INC. AND SHALL NOT BE COPIED, REPRODUCED OR DISCLOSED WITHOUT THE WRITTEN APPROVAL OF BEL FUSE INC.

RoHS  
2002/95/EC



PRELIMINARY



NOTES:

PLASTIC HOUSING: THERMOPLASTIC PBT  
 FLAMMABILITY RATING UL 94V-0  
 CONTACT PLATING: 50 MICRO-INCH HARD GOLD PLATING  
 OUTPUT PINS: TIN-COATED COPPER WIRE, DIA 0.018 INCH.  
 METAL SHIELD: NICKEL PLATED ON COPPER ALLOY.  
 (ALL GROUND LEADS ARE SOLDER DIPPED)

1. JACK CAVITY CONFORMS TO FCC RULES AND REGULATIONS.

UL US UL RECOGNIZED - FILE #E196366 AND E169987.

2. MARK PART WITH MFG LOGO, MFG NAME, PART NUMBER, AND DATE CODE.

3. RoHS COMPLIANCE, PER EU DIRECTIVE 2002/95/EC.

ORIGINATED BY ANTON LIAO	DATE 04-25-08	TITLE 2X1 gigabit MagJack® (8 cores, Extend Temp)	PART NO. / DRAWING NO. 08432B1TDA-F	STANDARD DIM. TOL. IN INCH	[ ] METRIC DIM. AS REFERENCE	 COMPONENTS FOR A CONNECTED PLANET
DRAWN BY CHEN TING	DATE 04-25-08		FILE NAME 08432B1TDA-F_PA.DWG	.X	UNIT : INCH [mm]	
			.XX	SCALE : N/A	SIZE : A4	
			.XXX ±0.010		PAGE : 3	

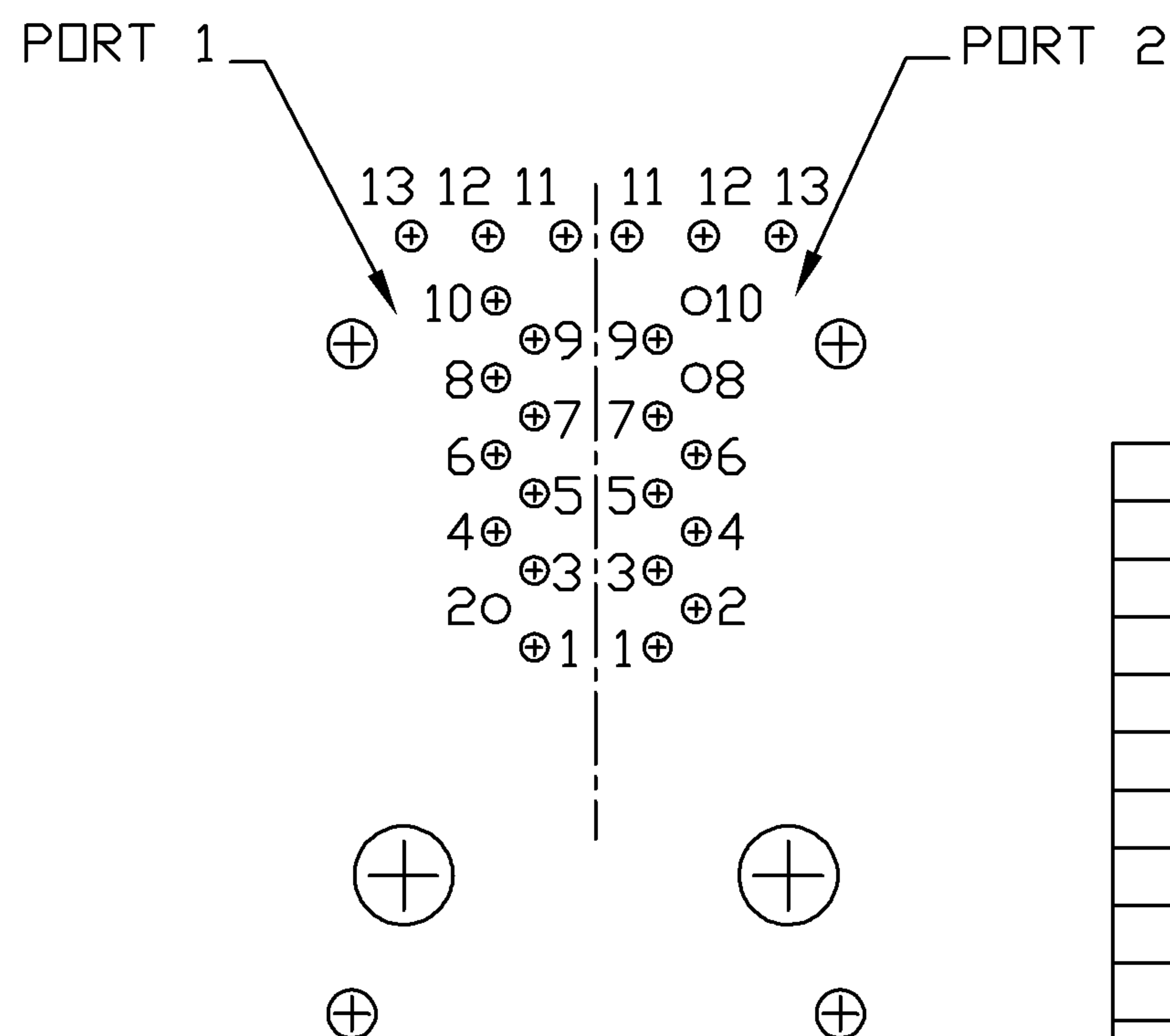
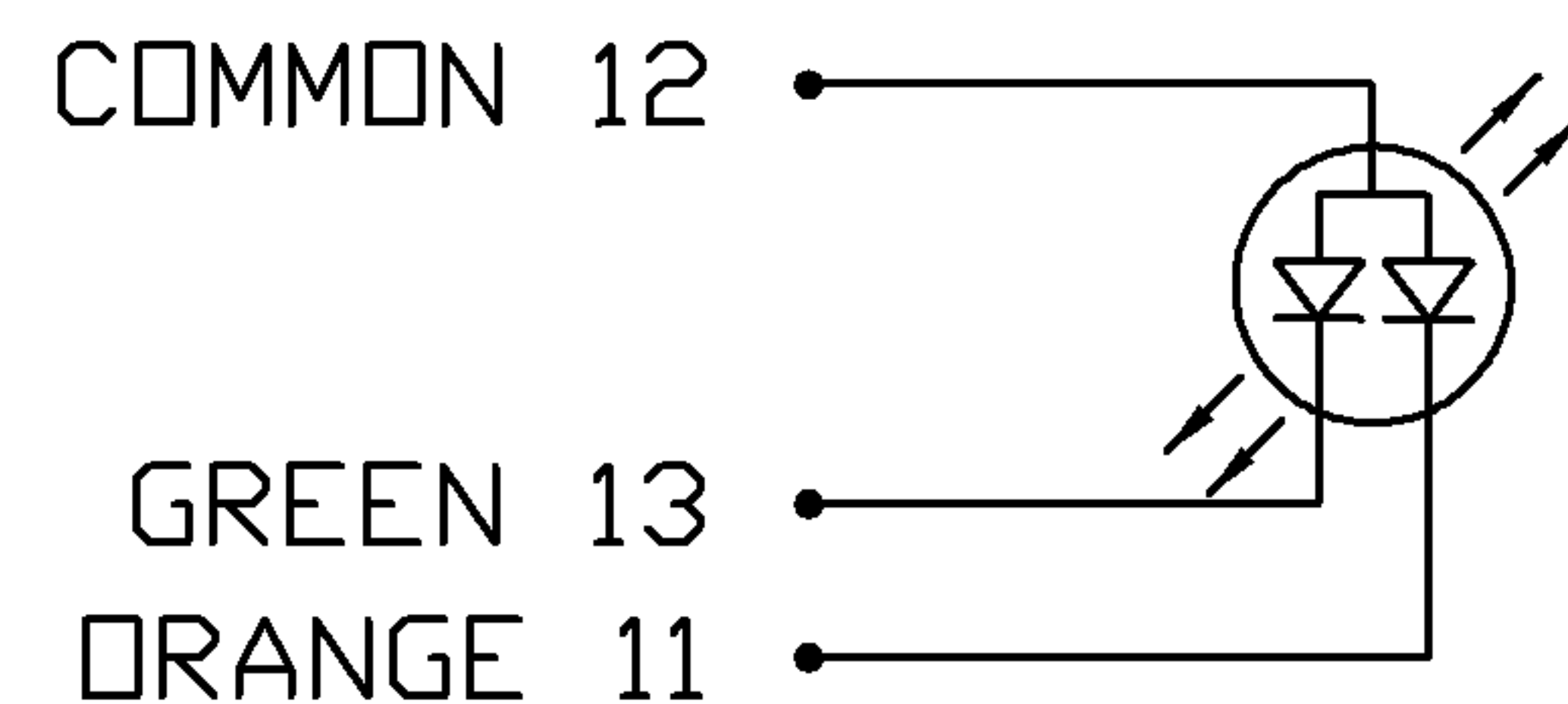
THE INFORMATION CONTAINED HEREIN IS CONSIDERED "PROPRIETARY" TO BEL FUSE INC. AND SHALL NOT BE COPIED, REPRODUCED OR DISCLOSED WITHOUT THE WRITTEN APPROVAL OF BEL FUSE INC.

PRELIMINARY

RoHS  
2002/95/EC



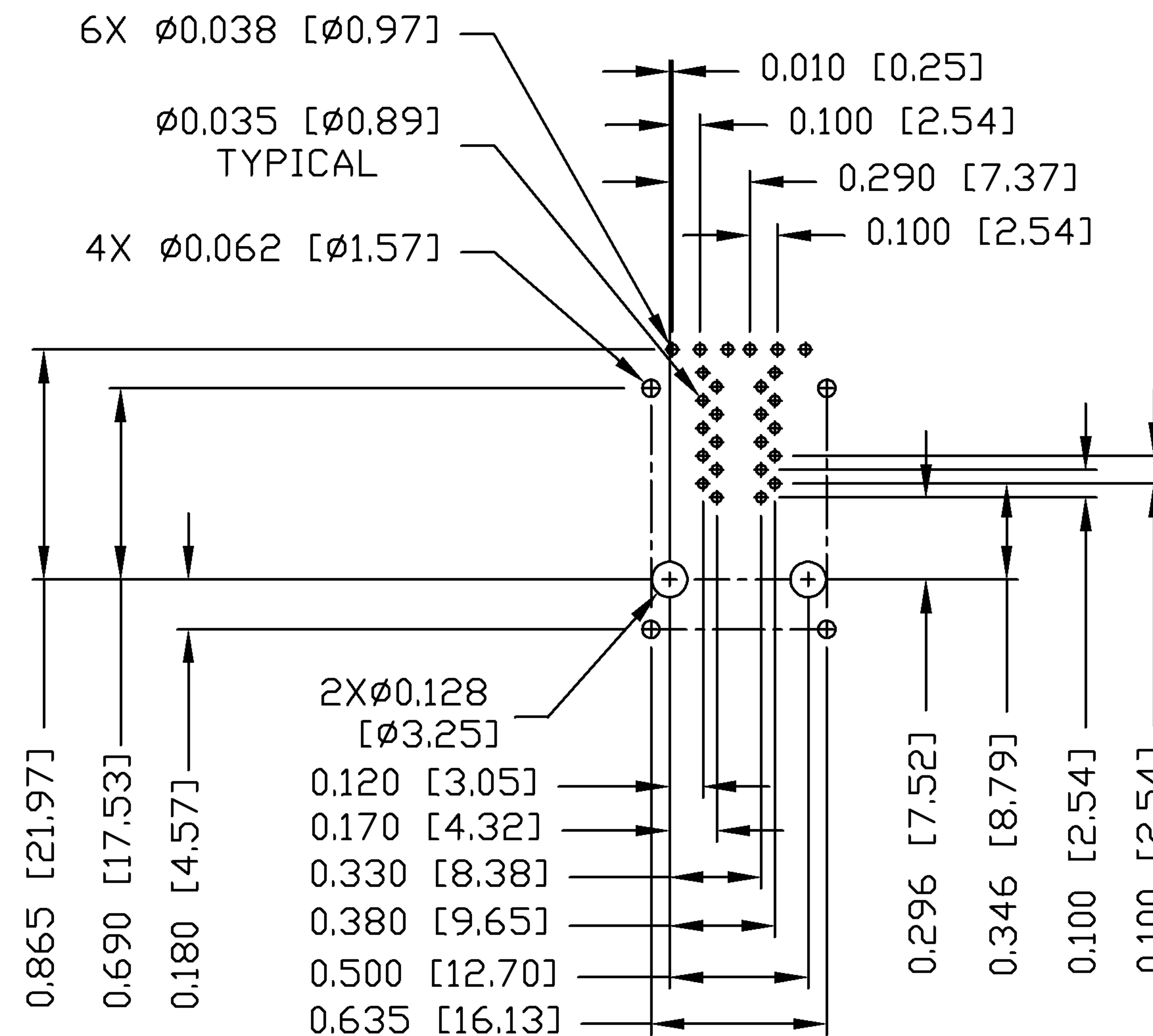
LED CONFIGURATION



PIN-OUT INFORMATION

(COMPONENT SIDE VIEW)

1	TRD 1+
2	TRD 1-
3	TRD 2+
4	TRD 2-
5	TRD 3+
6	TRD 3-
7	TRD 4+
8	TRD 4-
9	TRDCT 1/2/3/4
10	NO
11	ORANGE LED CATHODE
12	COMMON ANODE
13	GREEN LED CATHODE



SUGGESTED FOOTPRINT  
(COMPONENT SIDE VIEW)

ORIGINATED BY ANTON LIAO	DATE 04-25-08
DRAWN BY CHEN TING	DATE 04-25-08

TITLE 2X1 gigabit MagJack® (8 cores, Extend Temp)
0843-2B1T-DA-F

PART NO. / DRAWING NO. 08432B1TDA-F
FILE NAME 08432B1TDA-F_PA.DWG

STANDARD DIM. TOL. IN INCH
.X
.XX
.XXX ±0.004

[ ] METRIC DIM. AS REFERENCE
UNIT : INCH [mm]
SCALE : N/A
REV. : PA
SIZE : A4
PAGE : 4

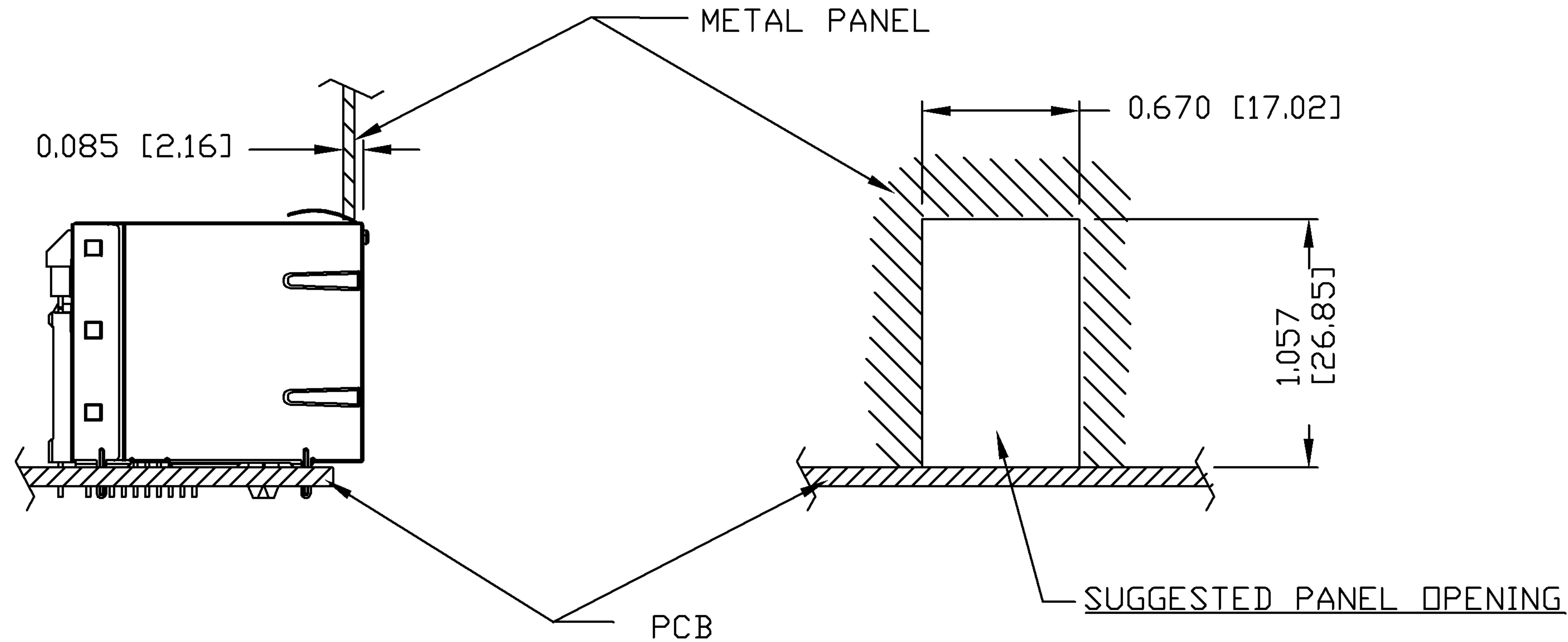




THE INFORMATION CONTAINED HEREIN IS CONSIDERED "PROPRIETARY" TO BEL FUSE INC. AND SHALL NOT BE COPIED, REPRODUCED OR DISCLOSED WITHOUT THE WRITTEN APPROVAL OF BEL FUSE INC.

SUGGESTED PANEL OPENING

PRELIMINARY



NOTE:

THE DISTANCE OF PANEL INSIDE SURFACE RELATIVE TO FRONT SURFACE OF PART IS ONLY A SUGGESTION. IN CASE THIS DISTANCE IS DIFFERENT, THE REQUIRED PANEL OPENING DIMENSIONS CHANGE ACCORDINGLY.

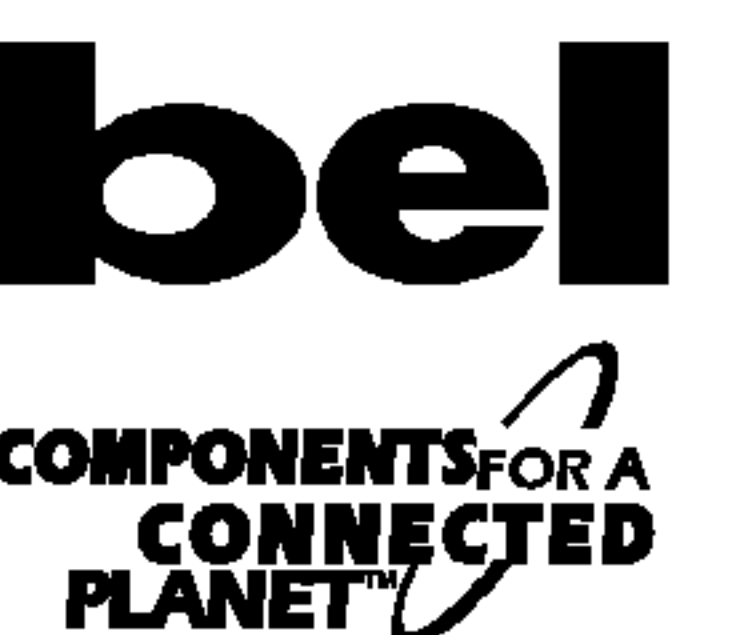
PACKING INFORMATION

PACKING TRAY: 0200-0148-36 (TOP)  
0200-0148-34 (BOTTOM)

PACKING QUANTITY: 40 PCS FINISHED GOODS PER TRAY  
6 TRAYS (240 PCS FINISHED GOODS) PER CARTON BOX.

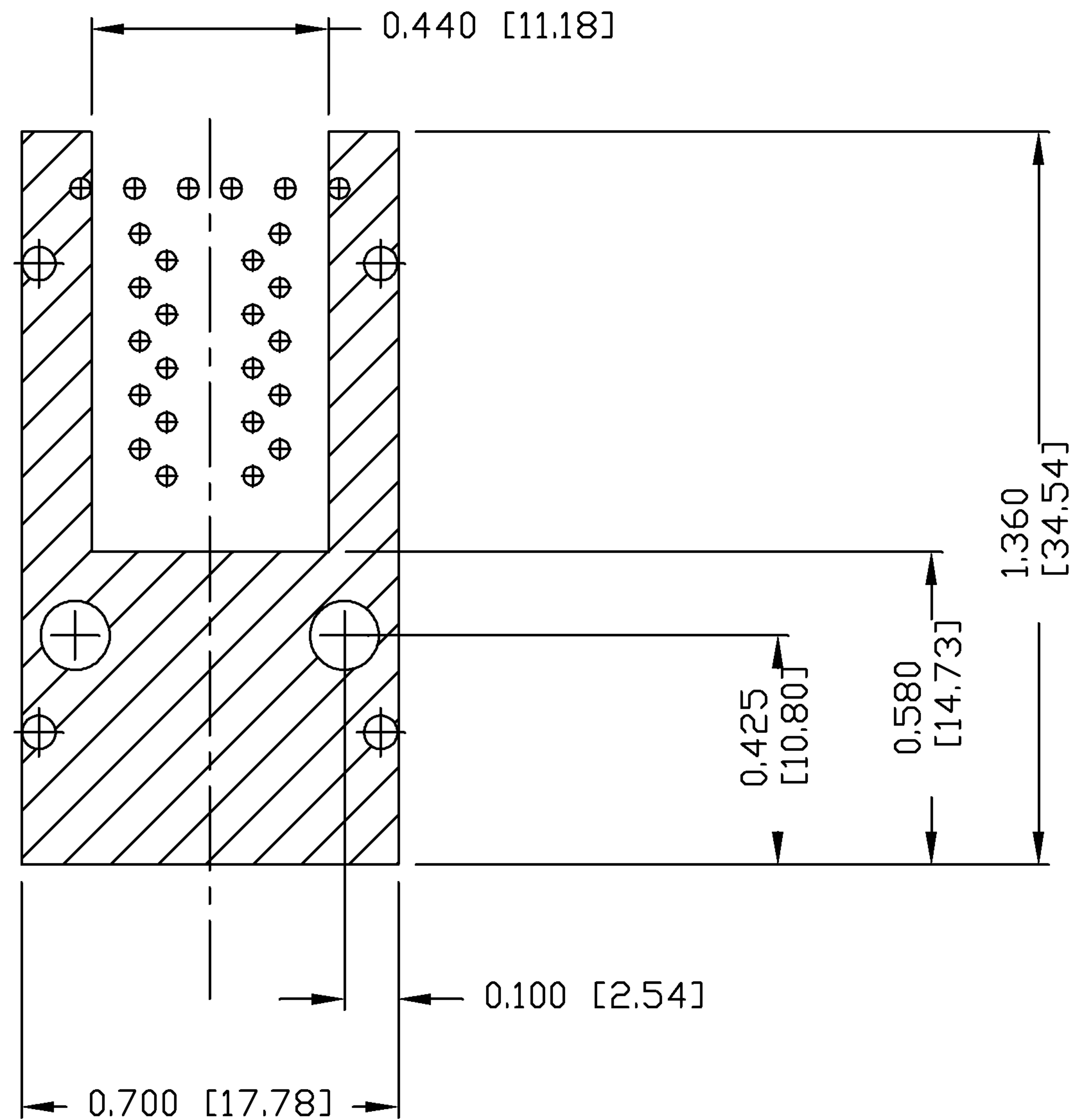
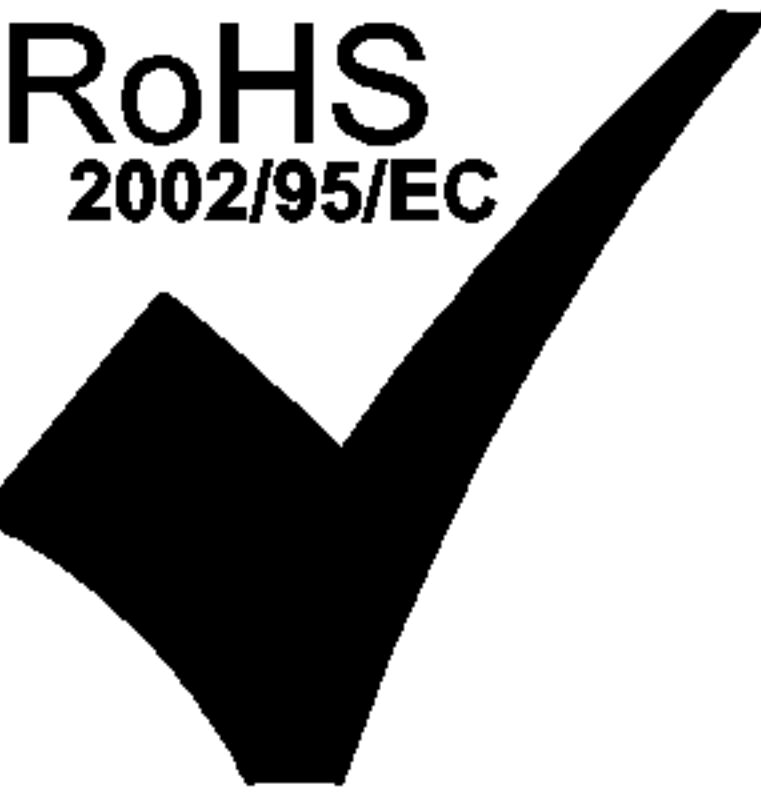
NOTE: CARDBOARD ARE PLACED BETWEEN LAYERS OF PACKING TRAY INSIDE CARTON BOX.  
(INCLUDE THE UPPERMOST AND LOWEREST TRAY)

<b>ORIGINATED BY</b> BILLB CHEN	<b>DATE</b> 04-25-08	<b>TITLE</b> 2X1 gigabit MagJack® (8 cores, Extend Temp)	<b>PART NO. / DRAWING NO.</b> 08432B1TDA-F	<b>STANDARD DIM. TOL. IN INCH</b>	<b>[ ] METRIC DIM. AS REFERENCE</b>	
<b>DRAWN BY</b> CHEN TING	<b>DATE</b> 04-25-08		<b>FILE NAME</b> 08432B1TDA-F_PA.DWG	.X .XX .XXX	±0.004	UNIT : INCH [mm] SCALE : N/A



THE INFORMATION CONTAINED HEREIN IS CONSIDERED 'PROPRIETARY' TO BEL FUSE INC. AND SHALL NOT BE COPIED, REPRODUCED OR DISCLOSED WITHOUT THE WRITTEN APPROVAL OF BEL FUSE INC.

PRELIMINARY



NOTES:

THE SHADED AREA ON THE CUSTOMER BOARD ARE RECOMMENDED TO BE CLEAR OFF ANY VIA HOLE OR COMPONENT PAD.

ORIGINATED BY ANTON LIAO	DATE 04-25-08	TITLE 2X1 gigabit MagJack® (8 cores, Extend Temp) 0843-2B1T-DA-F	PART NO. / DRAWING NO. 08432B1TDA-F	STANDARD DIM. TOL. IN INCH	[ ] METRIC DIM. AS REFERENCE	 COMPONENTS FOR A CONNECTED PLANET	
DRAWN BY CHEN TING	DATE 04-25-08		FILE NAME 08432B1TDA-F_PA.DWG	.X	UNIT : INCH [mm]		REV. : PA
				.XX	SCALE : N/A		SIZE : A4
				.XXX	±0.004	 PAGE : 6	