

THE INFORMATION CONTAINED HEREIN IS CONSIDERED "PROPRIETARY" TO BEL FUSE INC. AND SHALL NOT BE COPIED, REPRODUCED OR DISCLOSED WITHOUT THE WRITTEN APPROVAL OF BEL FUSE INC.

RoHS



ELECTRICAL CHARACTERISTICS @ 25°C

URNS RATIO

TP1	1CT : 1CT ±2%
TP2	1CT : 1CT ±2%
TP3	1CT : 1CT ±2%
TP4	1CT : 1CT ±2%

DCL @ 100kHz/100mVRMS

8mA DC BIAS	350µH MIN.
-------------	------------

INS. LOSS

0.1MHz TO 1MHz	-1.1 dB MAX
1MHz TO 65MHz	-0.5 dB MAX
65MHz TO 100MHz	-0.8 dB MAX
100MHz TO 125MHz	-1.2 dB MAX

RET. LOSS (MIN)

0.5MHz-40MHz	-18 dB
40MHz-100MHz	-12+20LOG(f/80MHz) dB

CM TO CM REJ

100kHz - 100MHz	-30 dB MIN
-----------------	------------

CM TO DM REJ

100kHz - 100MHz	-35 dB MIN
-----------------	------------

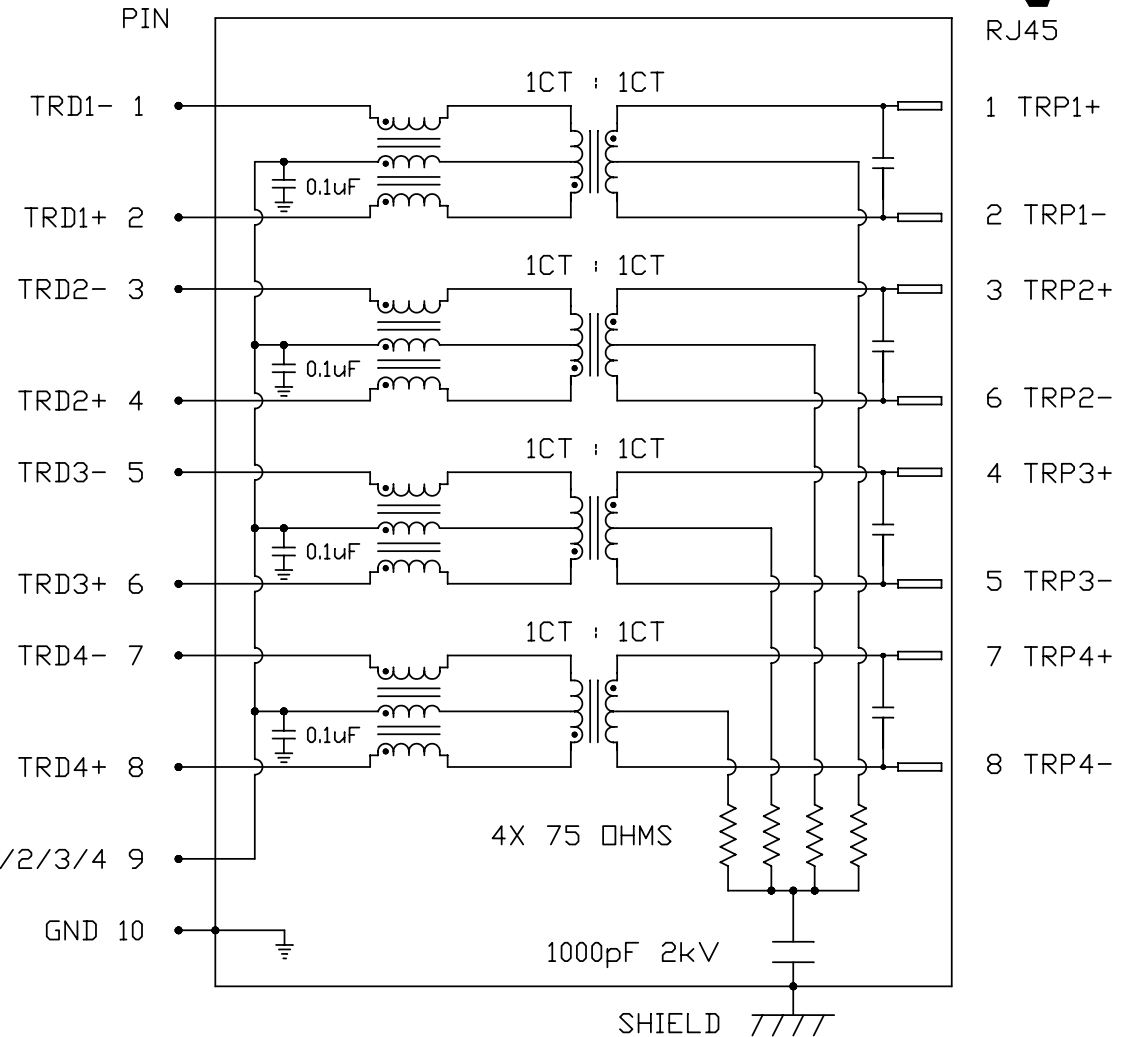
HIPOT (Isolation Voltage):

1500 Vrms

TRDCT1/2/3/4

100% OF PRODUCTION TESTED TO COMPLY WITH IEEE 802.3 ISOLATION REQUIREMENTS

SCHEMATIC



RJ45

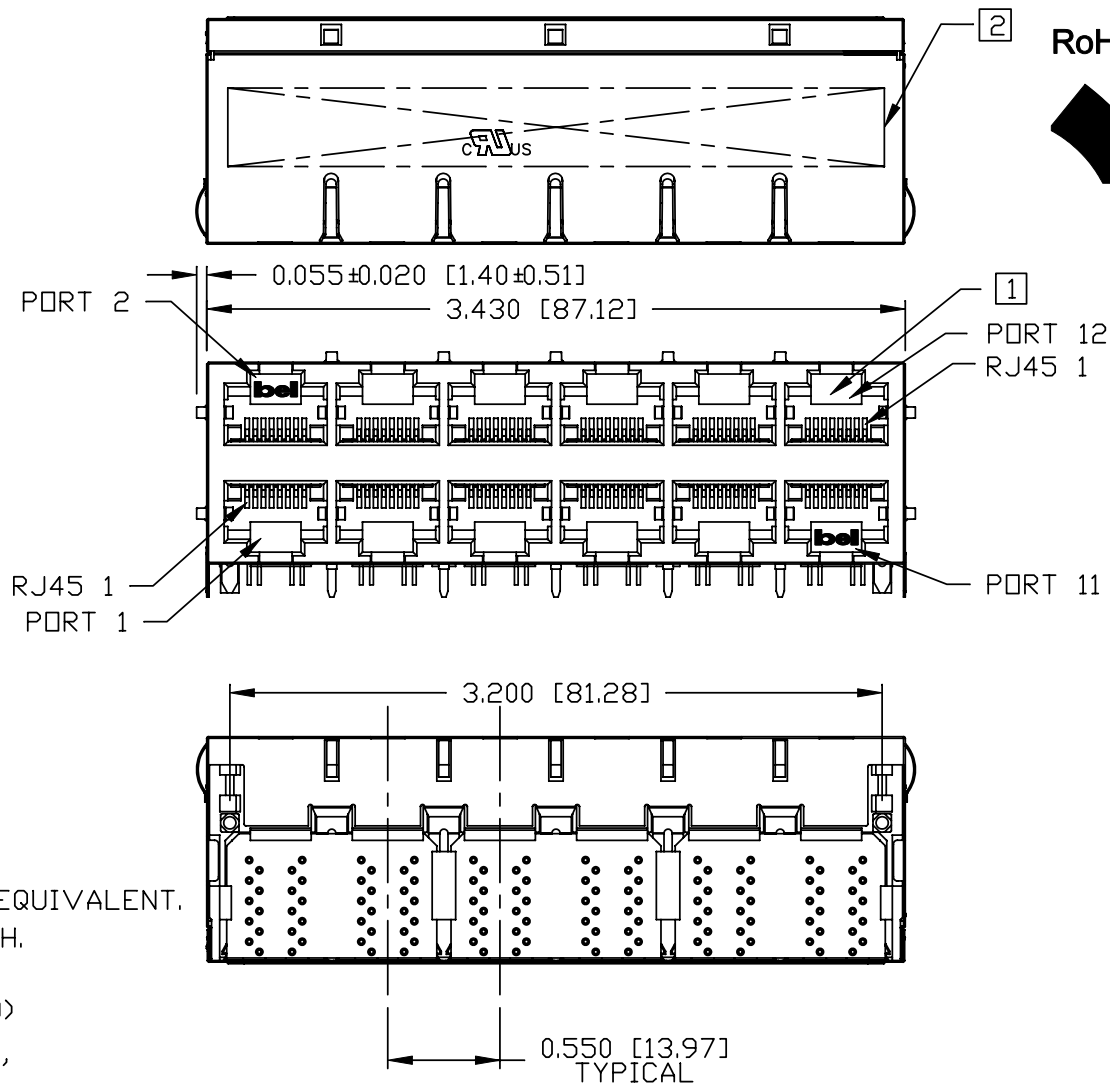
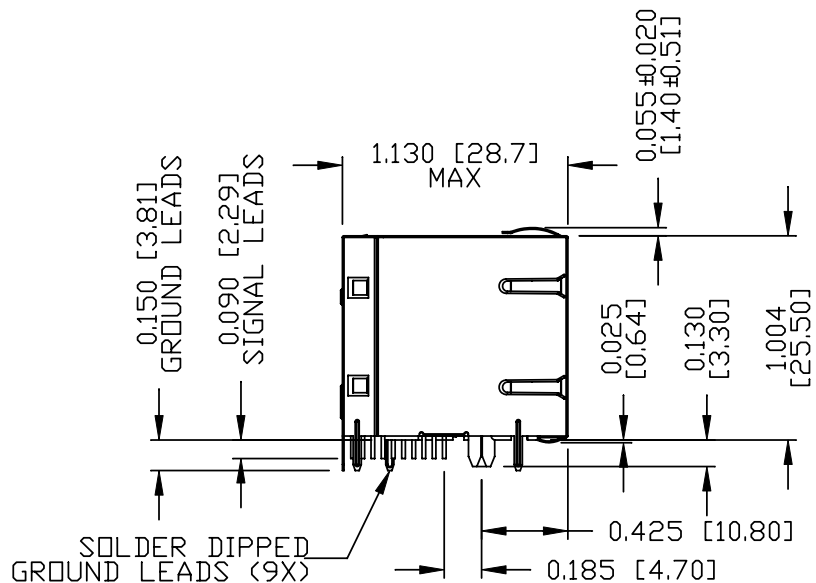
- 1 TRP1+
- 2 TRP1-
- 3 TRP2+
- 6 TRP2-
- 4 TRP3+
- 5 TRP3-
- 7 TRP4+
- 8 TRP4-

ORIGINATED BY CHOW WANCHUNG	DATE 2012-07-30	TITLE 2X6 gigabit MagJack® (0.090" Pin Length of -54N)	PART NO. / DRAWING NO. 08332X6R64-F	STANDARD DIM. TOL. IN INCH	[] METRIC DIM. AS REFERENCE	
				.X .XX .XXX	UNIT : INCH [mm]	REV. : B
DRAWN BY TAN QIGUANG	DATE 2012-07-30	0833-2X6R-64-F PATENTED	FILE NAME 08332X6R64-F_B.DWG		SCALE : N/A	SIZE : A4
						PAGE : 2



THE INFORMATION CONTAINED HEREIN IS CONSIDERED "PROPRIETARY" TO BEL FUSE INC. AND SHALL NOT BE COPIED, REPRODUCED OR DISCLOSED WITHOUT THE WRITTEN APPROVAL OF BEL FUSE INC.

RoHS



NOTES:

PLASTIC HOUSING: THERMOPLASTIC PBT
 FLAMMABILITY RATING UL 94V-0
 CONTACT PLATING: 50 MICRO-INCH HARD GOLD PLATING OR EQUIVALENT.
 OUTPUT PINS: TIN-COATED COPPER WIRE, DIA 0.018 INCH.
 METAL SHIELD: NICKEL PLATED ON COPPER ALLOY.
 (ALL GROUND LEADS ARE SOLDER DIPPED)

1. JACK CAVITY CONFORMS TO FCC RULES AND REGULATIONS, PART 68 SUBPART F.
2. MARK PART WITH MFG LOGO, MFG NAME, PART NUMBER DATE CODE AND PATENTED.
 c us UL RECOGNIZED - FILE #E196366 AND E169987.
3. THE PRODUCT IS RoHS COMPLIANT.

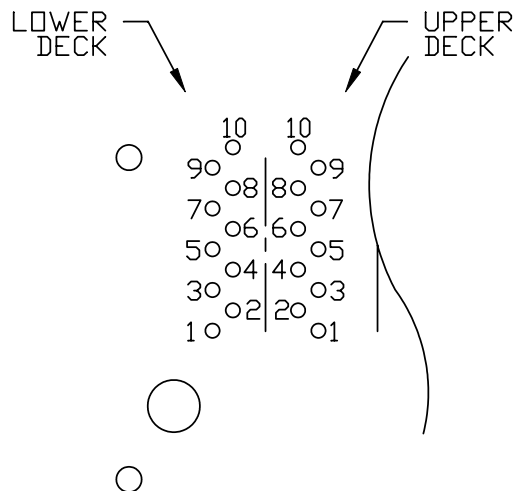
4. THE PRODUCT IS PATENTED. THE PATENT NUMBER ARE U.S. PAT. 5,736,910 AND U.S. PAT. 6,840,817 AND U.S. PAT. 7,123,117.

ORIGINATED BY	DATE	TITLE	PART NO. / DRAWING NO.	STANDARD DIM. TOL. IN INCH	[] METRIC DIM. AS REFERENCE
ANTON LIAD	2012-07-30	2X6 gigabit MagJack® (0.090" Pin Length of -54N)	08332X6R64-F	.X .XX .XXX	UNIT : INCH [mm] SCALE : N/A
DRAWN BY	DATE	0833-2X6R-64-F PATENTED	FILE NAME 08332X6R64-F_B.DWG	±0.010	REV. : B SIZE : A4 PAGE : 3
HE ZHEN	2012-07-30				



THE INFORMATION CONTAINED HEREIN IS CONSIDERED 'PROPRIETARY' TO BEL FUSE INC. AND SHALL NOT BE COPIED, REPRODUCED OR DISCLOSED WITHOUT THE WRITTEN APPROVAL OF BEL FUSE INC.

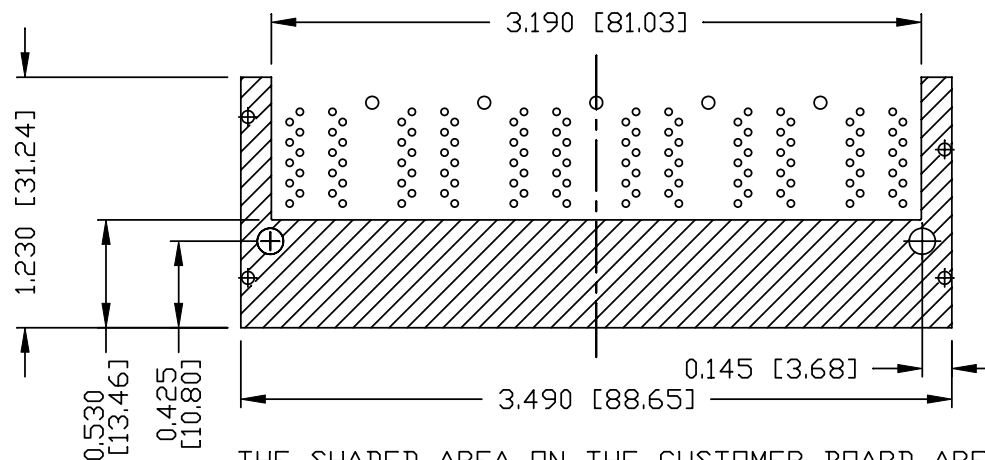
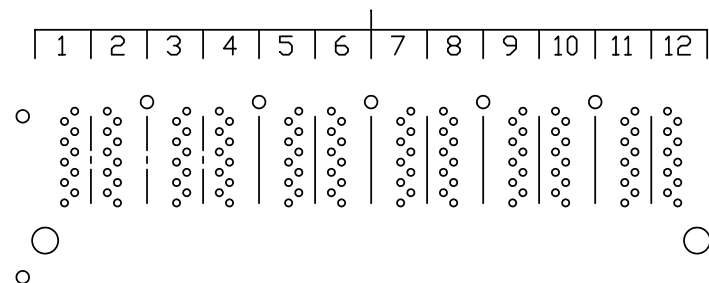
RoHS



PIN-OUT INFORMATION
(COMPONENT SIDE VIEW)

10	GND
9	TRCT1/2/3/4
8	TRD 4+
7	TRD 4-
6	TRD 3+
5	TRD 3-
4	TRD 2+
3	TRD 2-
2	TRD 1+
1	TRD 1-

PORT ASSIGNMENT
(COMPONENT SIDE VIEW)



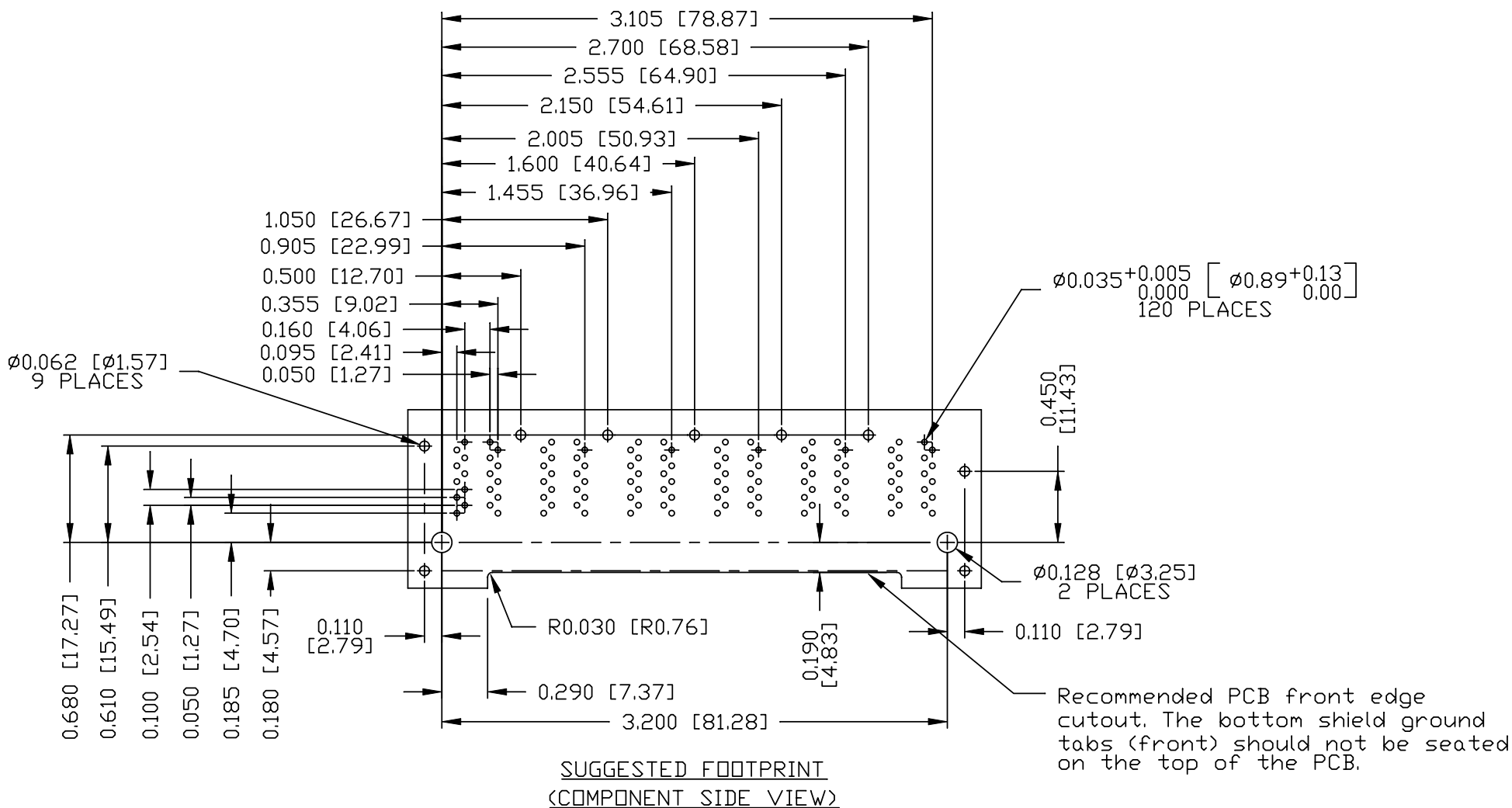
THE SHADED AREA ON THE CUSTOMER BOARD ARE RECOMMENDED TO BE CLEAR OFF ANY VIA HOLE OR COMPONENT PAD.

ORIGINATED BY ANTON LIAO	DATE 2012-07-30	TITLE 2X6 gigabit MagJack® (0.090" Pin Length of -54N)	PART NO. / DRAWING NO. 08332X6R64-F	STANDARD DIM.		[] METRIC DIM. AS REFERENCE	
				TOL. IN INCH		UNIT : INCH [mm]	REV. : B
DRAWN BY HE ZHEN	DATE 2012-07-30	0833-2X6R-64-F PATENTED	FILE NAME 08332X6R64-F_B.DWG	.X	/	SCALE : N/A	SIZE : A4
				.XX		.XXX	±0.004



THE INFORMATION CONTAINED HEREIN IS CONSIDERED "PROPRIETARY" TO BEL FUSE INC. AND SHALL NOT BE COPIED, REPRODUCED OR DISCLOSED WITHOUT THE WRITTEN APPROVAL OF BEL FUSE INC.

RoHS



ORIGINATED BY	DATE
ANTON LIAO	2012-07-30
DRAWN BY	DATE
HE ZHEN	2012-07-30

TITLE	2X6 gigabit MagJack® (0.090" Pin Length of -54N)
	0833-2X6R-64-F PATENTED

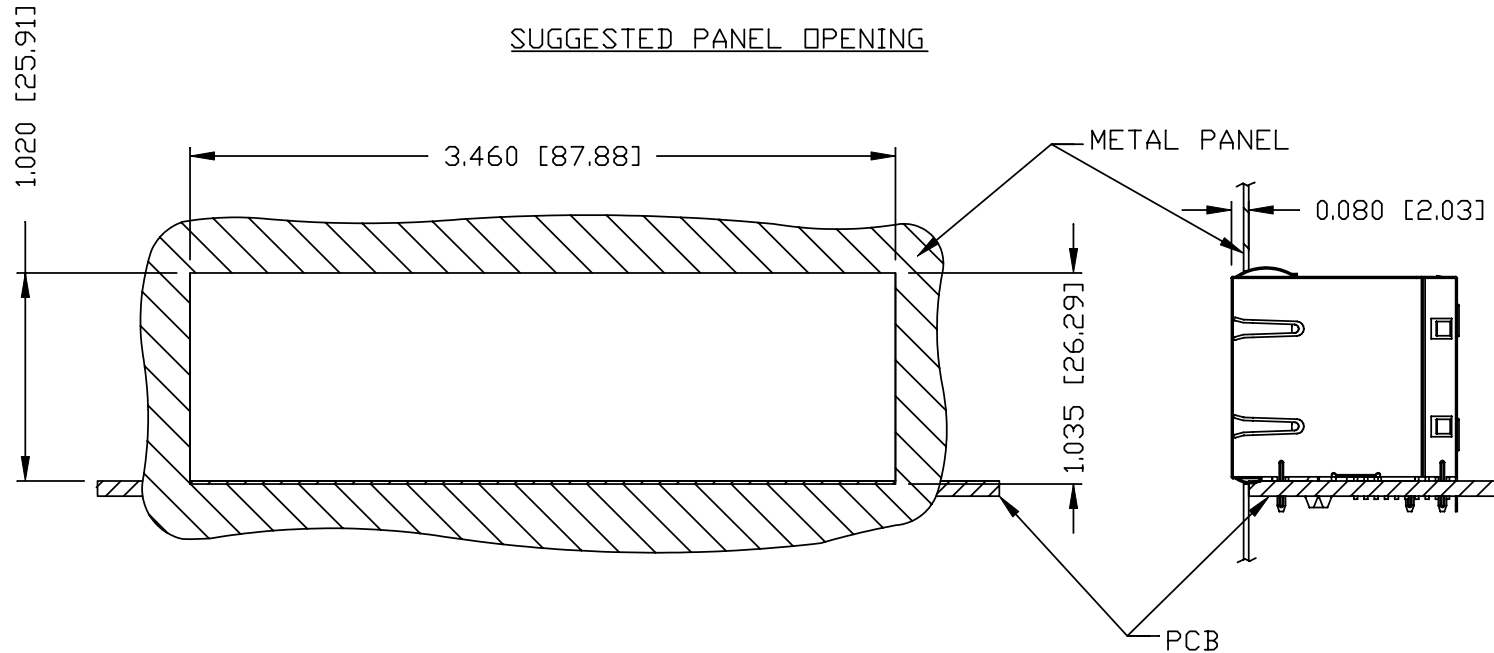
PART NO. / DRAWING NO.	08332X6R64-F
FILE NAME	08332X6R64-F_B.DWG

STANDARD DIM. TOL. IN INCH	[] METRIC DIM. AS REFERENCE
.X	UNIT : INCH [mm]
.XX	SCALE : N/A
.XXX	REV. : B
±0.004	SIZE : A4
	PAGE : 5



THE INFORMATION CONTAINED HEREIN IS CONSIDERED "PROPRIETARY" TO BEL FUSE INC. AND SHALL NOT BE COPIED, REPRODUCED OR DISCLOSED WITHOUT THE WRITTEN APPROVAL OF BEL FUSE INC.

RoHS



NOTE:

THE DISTANCE OF PANEL INSIDE SURFACE RELATIVE TO FRONT SURFACE OF PART IS ONLY A SUGGESTION. IN CASE THIS DISTANCE IS DIFFERENT, THE REQUIRED PANEL OPENING DIMENSIONS CHANGE ACCORDINGLY.

PACKING INFORMATION

PACKING TRAY : 0200-9999-A9 (TOP)
0200-9999-A8 (BOTTOM)

PACKING QUANTITY : 15 PCS FINISHED GOODS PER TRAY
7 TRAYS (105 PCS FINISHED GOODS) PER CARTON BOX

NOTE : CARDBOARDS ARE PLACED BETWEEN LAYERS OF PACKING TRAY INSIDE CARTON BOX (INCLUDE THE UPPERMOST AND LOWERMOST TRAY)

ORIGINATED BY ANTON LIAO	DATE 2012-07-30	TITLE 2X6 gigabit MagJack® (0.090" Pin Length of -54N)	PART NO. / DRAWING NO. 08332X6R64-F	STANDARD DIM.		[] METRIC DIM. AS REFERENCE		bel
				TOL. IN INCH		UNIT : INCH [mm]	REV. : B	
DRAWN BY HE ZHEN	DATE 2012-07-30	0833-2X6R-64-F PATENTED	FILE NAME 08332X6R64-F_B.DWG	.X	/	SCALE : N/A	SIZE : A4	COMPONENTS FOR A CONNECTED PLANET
				.XX		.XXX	±0.004	