

THE INFORMATION CONTAINED HEREIN IS CONSIDERED "PROPRIETARY" TO BEL FUSE INC. AND SHALL NOT BE COPIED, REPRODUCED OR DISCLOSED WITHOUT THE WRITTEN APPROVAL OF BEL FUSE INC.

RoHS
2002/95/EC

PRELIMINARY



LED1 POLARITY			LED2 POLARITY		
PIN 12	PIN 13	COLOR	PIN 14	PIN 15	COLOR
+	-	ORANGE	+	-	ORANGE
-	+	GREEN	-	+	GREEN

ELECTRICAL CHARACTERISTICS @ 25°C

URNS RATIO 1CT : 1CT ±2%

CL @ 100kHz/100mVRMS 8mA DC BIAS 350µH MIN.

INSERTION LOSS 100KHz TO 100MHz -1.5 dB MAX.

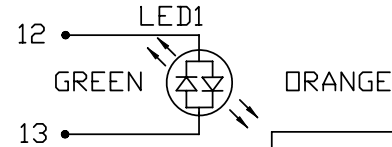
RETURN LOSS (MIN.) 2MHz-30MHz -16 dB MIN.
60MHz-80MHz -10 dB MIN.

CROSS TALK 100KHz - 100MHz -30 dB MIN.

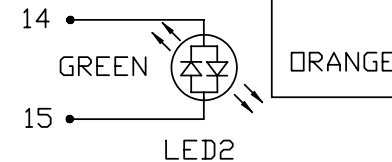
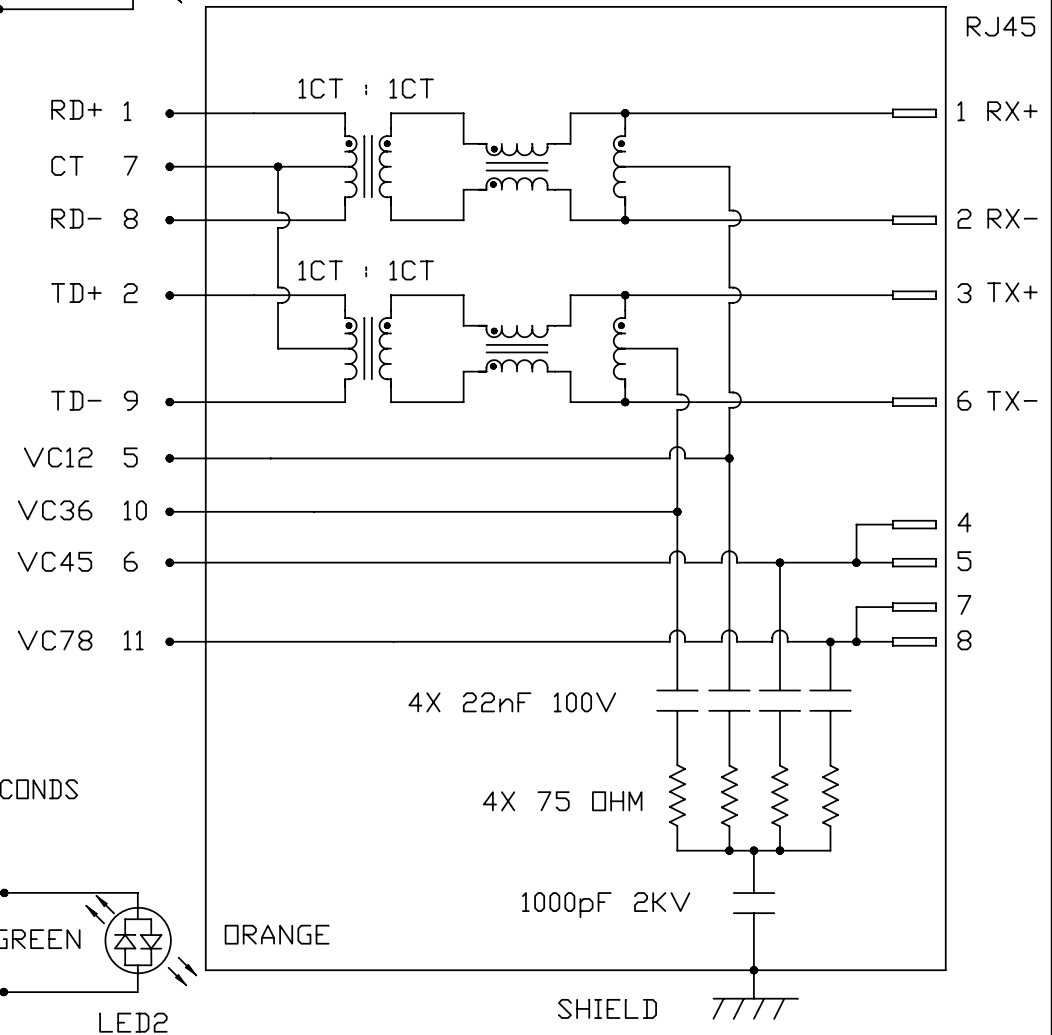
HIPOT (ISOLATION VOLTAGE) 2250 VDC
100% OF PRODUCTION TESTED TO COMPLY WITH IEEE 802.3 ISOLATION REQUIREMENTS.

BALANCED DC LINE CURRENT 350mA MAX. @ 57 VDC CONTINUOUS
500mA MAX. @ 57 VDC FOR 200 MILLSECONDS

LED 1 AND LED 2
VF (FORWARD VOLTAGE) IF=20mA GREEN 2.2V TYP.
ORANGE 2.0V TYP.
λD (DOMINANT WAVELENGTH) IF=20mA GREEN 565nm TYP.
ORANGE 610nm TYP.



SCHEMATIC



ORIGINATED BY	DATE	TITLE
CHOW WANGCHUNG	05-19-11	10/100 MagJack® (PoE, Tab Up)
DRAWN BY	DATE	0826-1B1T-57-F PATENTED
LEE WEIDE	05-19-11	

PART NO. / DRAWING NO.	STANDARD DIM.	[] METRIC DIM. AS REFERENCE
08261B1T57-F	TOL. IN INCH	UNIT : INCH [mm] REV. : PD
FILE NAME	.X	SCALE : N/A SIZE : A4
08261B1T57-F_PD.DWG	.XX	⊕
	.XXX	⊖
		PAGE : 2

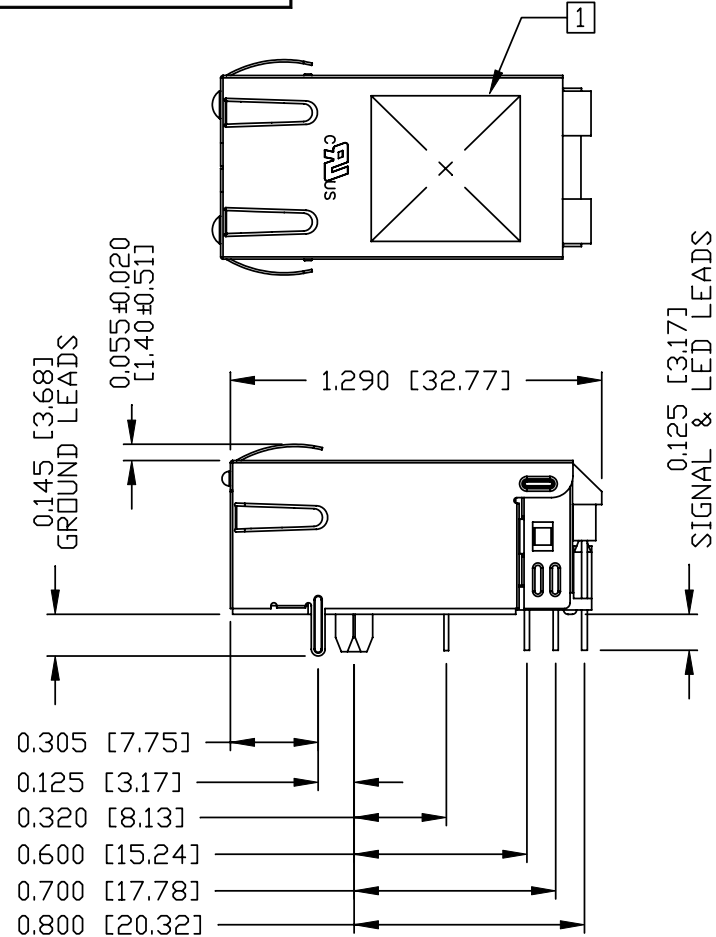
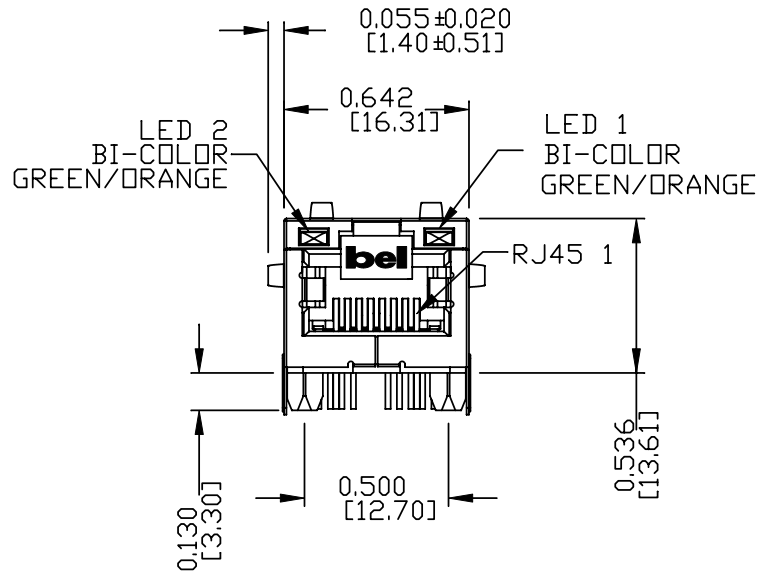
COMPONENTS FOR A CONNECTED PLANET	

THE INFORMATION CONTAINED HEREIN IS CONSIDERED "PROPRIETARY" TO BEL FUSE INC. AND SHALL NOT BE COPIED, REPRODUCED OR DISCLOSED WITHOUT THE WRITTEN APPROVAL OF BEL FUSE INC.

MECHANICAL SPECIFICATION

PRELIMINARY

RoHS
2002/95/EC



NOTES:

- PLASTIC HOUSING: THERMOPLASTIC PA
FLAMMABILITY RATING UL 94V-0
- CONTACTS: 50 MICRO-INCH HARD GOLD PLATING
- OUTPUT PINS: TIN-COATED COPPER WIRE, DIA 0.018 INCH.
- METAL SHIELD: NICKEL PLATED ON COPPER ALLOY.
(ALL GROUND LEADS ARE SOLDER DIPPED)

[1] MARK PART WITH MFG LOGO, MFG NAME, PART NUMBER, DATE CODE AND PATENTED.

US UL RECOGNIZED - FILE #E196366 AND E169987.

- 2. RoHS COMPLIANT, PER EU DIRECTIVE 2002/95/EC
- 3. JACK CAVITY CONFORMS TO FCC RULES AND REGULATIONS.
- 4. THE PRODUCT IS PATENTED, THE PATENT NUMBER IS U.S. PAT. 5,736,910.

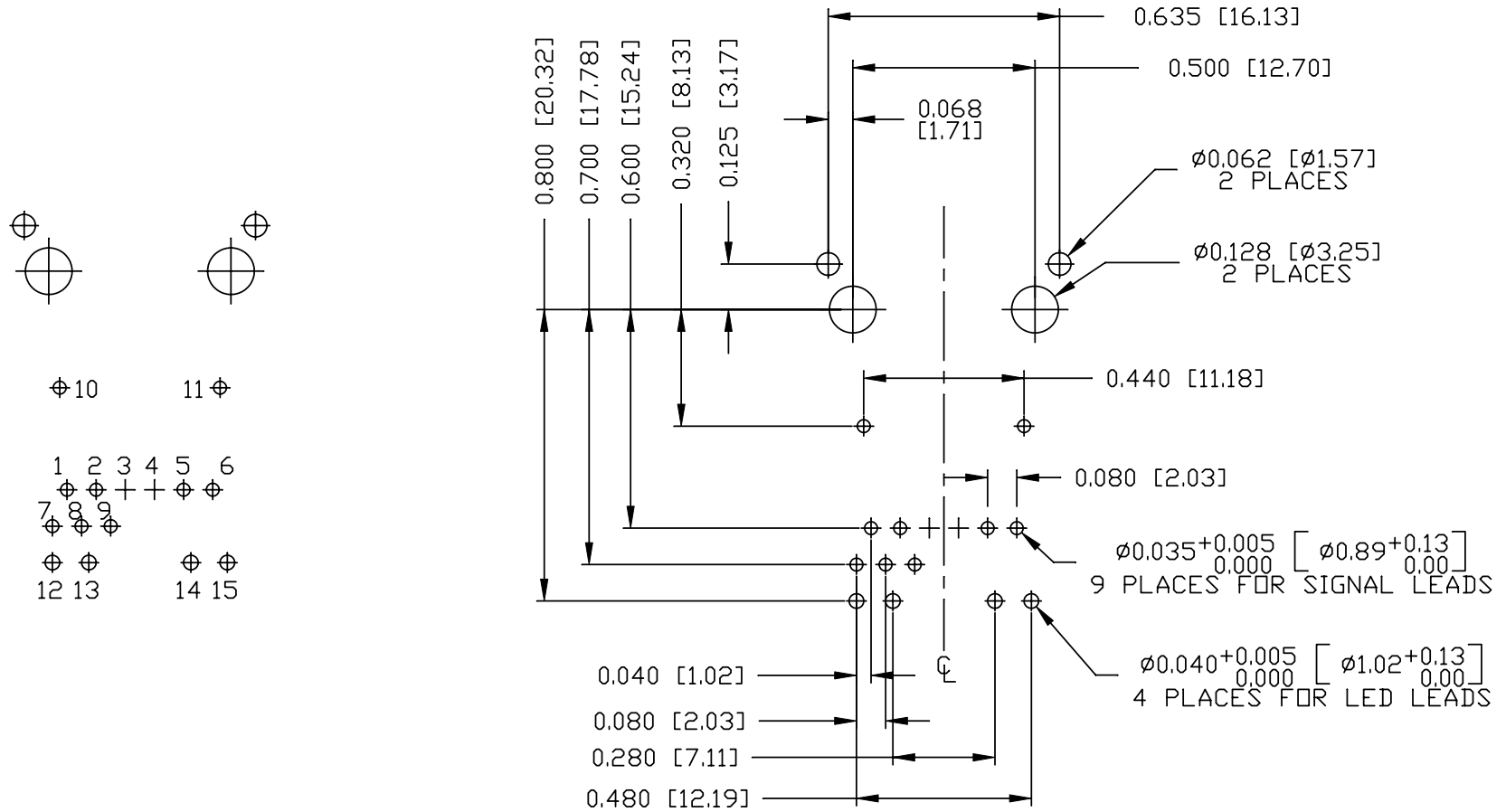
ORIGINATED BY CHEN BILL	DATE 05-19-11	TITLE 10/100 MagJack® (PoE, Tab Up) 0826-1B1T-57-F PATENTED	PART NO. / DRAWING NO. 08261B1T57-F	STANDARD DIM. TOL. IN INCH	[] METRIC DIM. AS REFERENCE	
DRAWN BY HE ZHEN	DATE 05-19-11		FILE NAME 08261B1T57-F_PD.DWG	.X .XX .XXX	UNIT : INCH [mm] SCALE : N/A	REV. : PD SIZE : A4 PAGE : 3
				±0.010		



THE INFORMATION CONTAINED HEREIN IS CONSIDERED "PROPRIETARY" TO BEL FUSE INC. AND SHALL NOT BE COPIED, REPRODUCED OR DISCLOSED WITHOUT THE WRITTEN APPROVAL OF BEL FUSE INC.

RECOMMENDED PCB FOOTPRINT
COMPONENT SIDE VIEW

PRELIMINARY

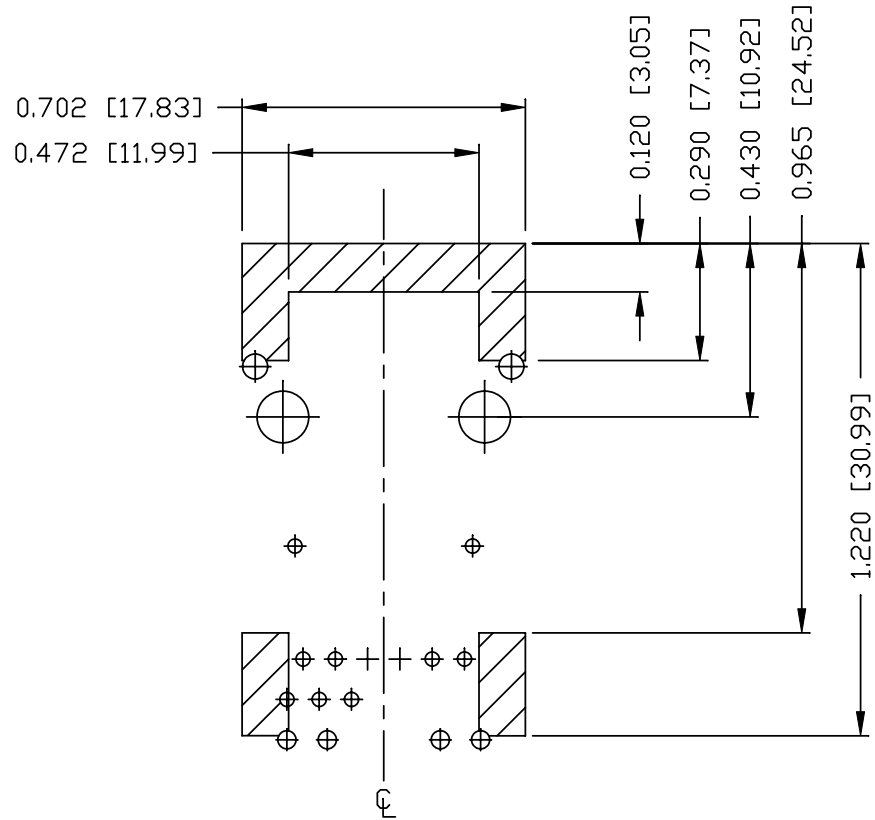


ORIGINATED BY CHEN BILL	DATE 05-19-11	TITLE 10/100 MagJack® (PoE, Tab Up) 0826-1B1T-57-F PATENTED	PART NO. / DRAWING NO. 08261B1T57-F	STANDARD DIM. TOL. IN INCH	[] METRIC DIM. AS REFERENCE
DRAWN BY HE ZHEN	DATE 05-19-11		FILE NAME 08261B1T57-F_PD.DWG	.X .XX .XXX	UNIT : INCH [mm] SCALE : N/A ±0.004



THE INFORMATION CONTAINED HEREIN IS CONSIDERED "PROPRIETARY" TO BEL FUSE INC. AND SHALL NOT BE COPIED, REPRODUCED OR DISCLOSED WITHOUT THE WRITTEN APPROVAL OF BEL FUSE INC.

PRELIMINARY



NOTES

THE SHADED AREA ON THE CUSTOMER BOARD ARE RECOMMENDED TO BE CLEAR OFF ANY VIA HOLE OR COMPONENT PAD.

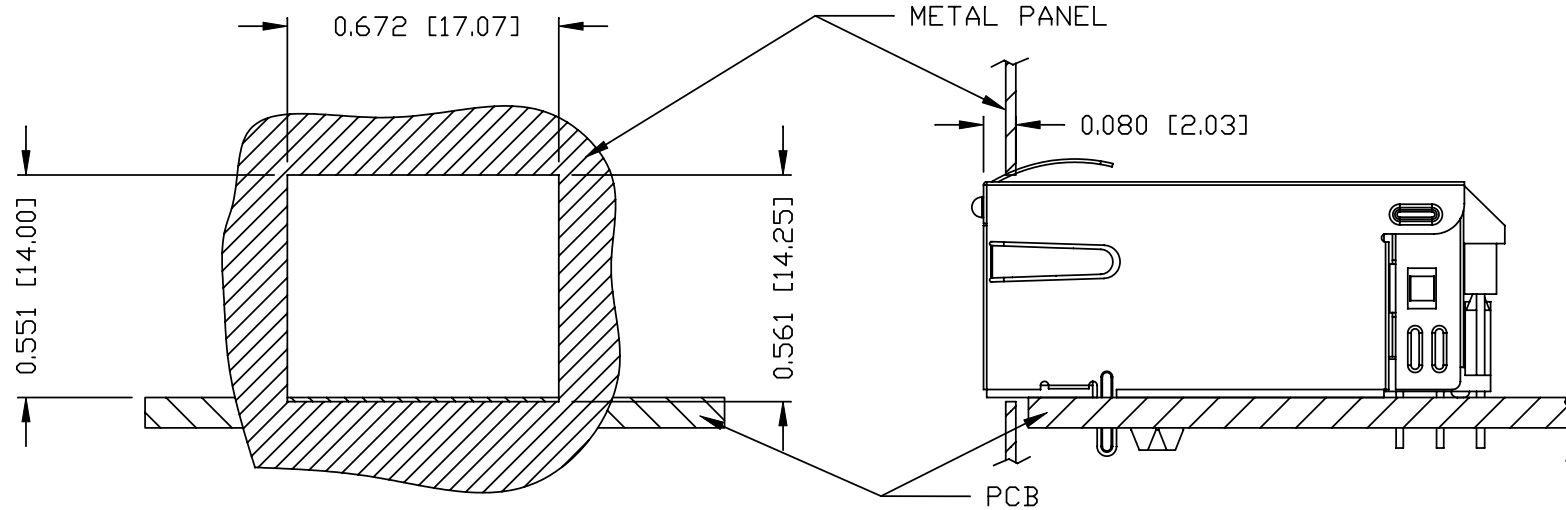
ORIGINATED BY CHEN BILL	DATE 05-19-11	TITLE 10/100 MagJack® (PoE, Tab Up) 0826-1B1T-57-F PATENTED	PART NO. / DRAWING NO. 08261B1T57-F		STANDARD DIM. TOL. IN INCH		[] METRIC DIM. AS REFERENCE	
			FILE NAME 08261B1T57-F_PD.DWG		.X .XX .XXX	∅0.004	UNIT : INCH [mm]	REV. : PD
DRAWN BY HE ZHEN	DATE 05-19-11					SCALE : N/A	SIZE : A4	PAGE : 5



THE INFORMATION CONTAINED HEREIN IS CONSIDERED "PROPRIETARY" TO BEL FUSE INC. AND SHALL NOT BE COPIED, REPRODUCED OR DISCLOSED WITHOUT THE WRITTEN APPROVAL OF BEL FUSE INC.

SUGGESTED PANEL OPENING

PRELIMINARY



NOTE:

THE DISTANCE OF PANEL INSIDE SURFACE RELATIVE TO FRONT SURFACE OF PART IS ONLY A SUGGESTION. IN CASE THIS DISTANCE IS DIFFERENT, THE REQUIRED PANEL OPENING DIMENSIONS CHANGE ACCORDINGLY.

PACKING INFORMATION

PACKING TRAY : 0200-9999-F6 (TOP)

0200-9999-F7 (BOTTOM)

PACKING QUANTITY : 40 PCS FINISHED GOODS PER TRAY

10 TRAYS (400 PCS FINISHED GOODS) PER CARTON BOX

NOTE : CARDBOARDS ARE PLACED BETWEEN LAYERS OF PACKING TRAY INSIDE CARTON BOX (INCLUDE THE UPPERMOST AND LOWERMOST TRAY)

ORIGINATED BY CHEN BILL	DATE 05-19-11	TITLE 10/100 MagJack® (PoE, Tab Up) 0826-1B1T-57-F PATENTED	PART NO. / DRAWING NO. 08261B1T57-F	STANDARD DIM. TOL. IN INCH		[] METRIC DIM. AS REFERENCE		REV. : PD	bel
				.X		UNIT : INCH [mm]	SCALE : N/A		
DRAWN BY HE ZHEN	DATE 05-19-11		FILE NAME 08261B1T57-F_PD.DWG	.XX		SIZE : A4	PAGE : 6	COMPONENTS FOR A CONNECTED PLANET	
				.XXX	±0.004				