

THE INFORMATION CONTAINED HEREIN IS CONSIDERED "PROPRIETARY" TO BEL FUSE INC. AND SHALL NOT BE COPIED, REPRODUCED OR DISCLOSED WITHOUT THE WRITTEN APPROVAL OF BEL FUSE INC.

PRELIMINARY

RoHS
2002/95/EC



ELECTRICAL CHARACTERISTICS @ 25°C

URNS RATIO

TP1	1CT : 1CT ±2%
TP2	1CT : 1CT ±2%
TP3	1CT : 1CT ±2%
TP4	1CT : 1CT ±2%

OCL @ 100kHz/100mVRMS

8mA DC BIAS 350µH MIN.

INS. LOSS

0.1MHz TO 1MHz	-1.1 dB MAX
1MHz TO 65MHz	-0.5 dB MAX
65MHz TO 100MHz	-0.8 dB MAX
100MHz TO 125MHz	-1.2 dB MAX

RET. LOSS (MIN)

0.5MHz-40MHz	-18 dB
40MHz-100MHz	-12+20LOG(f/80MHz) dB

CM TO CM REJ

100kHz - 100MHz -30 dB MIN

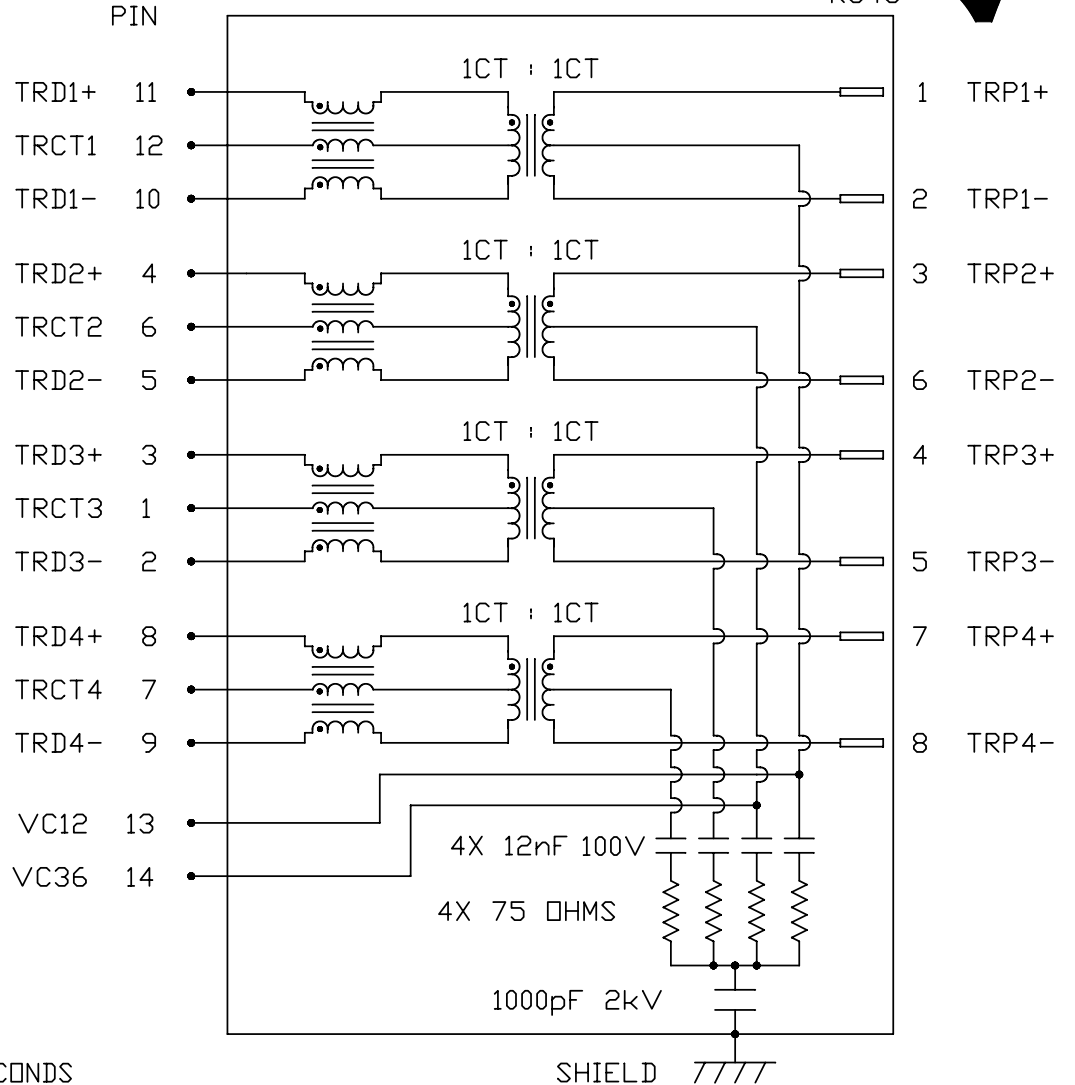
CM TO DM REJ

100kHz - 100MHz -35 dB MIN

HIPOT (Isolation Voltage): 2250 VDC
100% OF PRODUCTION TESTED TO COMPLY WITH IEEE 802.3 ISOLATION REQUIREMENT

BALANCED DC LINE CURRENT 350 mA MAX. @ 57 VDC CONTINUOUS
500 mA MAX. @ 57 VDC FOR 200 MILLISECONDS

SCHEMATIC



ORIGINATED BY	DATE
CHOW WANGCHUNG	06-01-09
DRAWN BY	DATE
LI YONGFENG	06-01-09

TITLE
gigabit MagJack® (PoE, Without LED) 0816-1X4T-80-F PATENTED

PART NO. / DRAWING NO.
08161X4T80-F
FILE NAME
08161X4T80-F_PA.DWG

STANDARD DIM. TOL. IN INCH
.X
.XX
.XXX

[] METRIC DIM. AS REFERENCE
UNIT : INCH [mm]
SCALE : N/A
REV. : PA
SIZE : A4
PAGE : 2



THE INFORMATION CONTAINED HEREIN IS CONSIDERED "PROPRIETARY" TO BEL FUSE INC. AND SHALL NOT BE COPIED, REPRODUCED OR DISCLOSED WITHOUT THE WRITTEN APPROVAL OF BEL FUSE INC.

RoHS
2002/95/EC

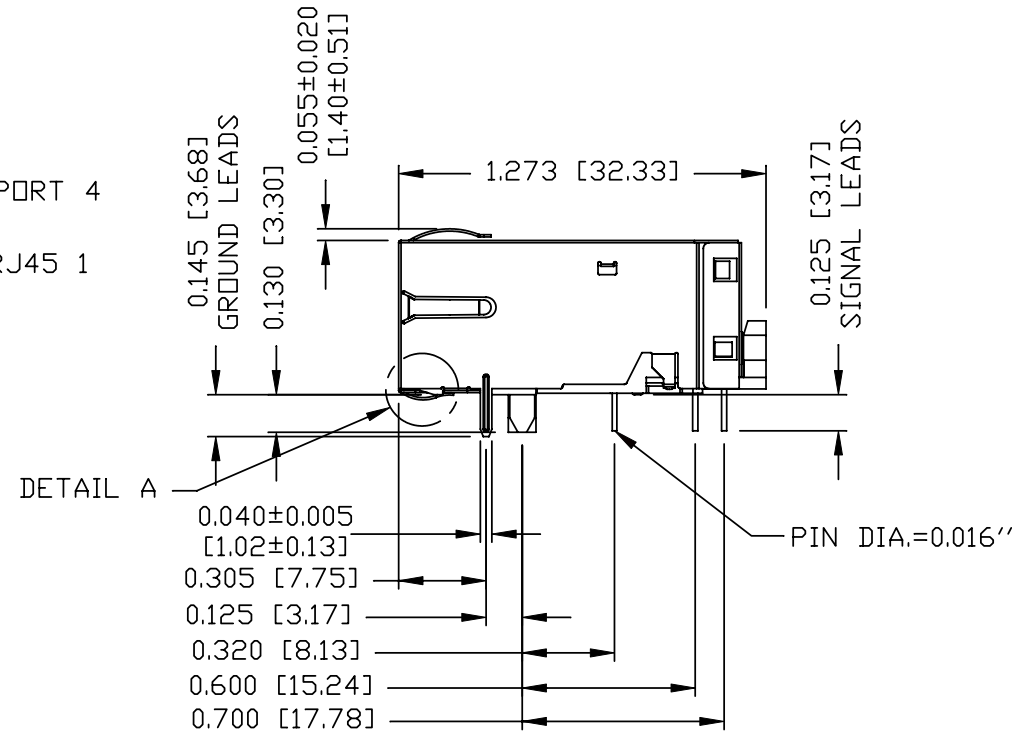
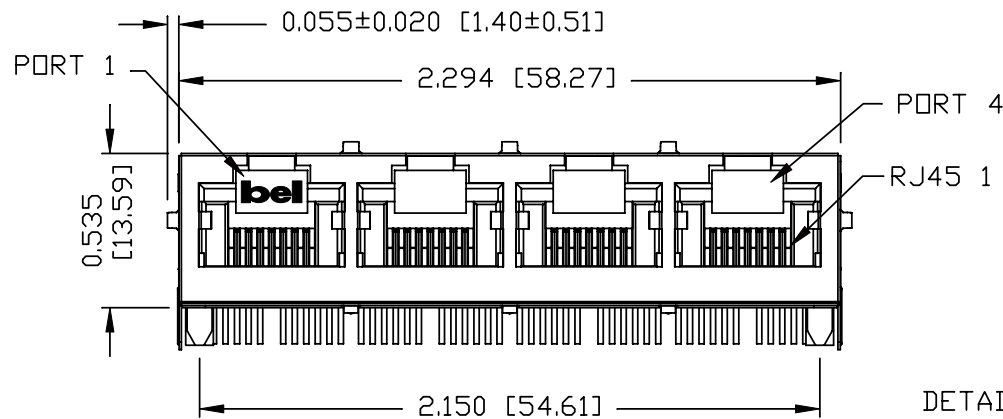
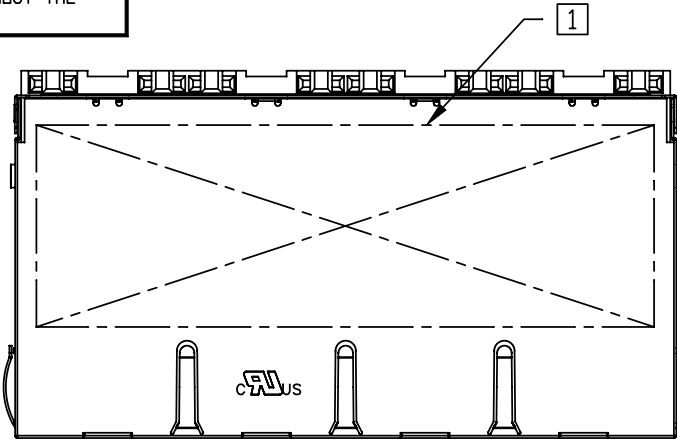
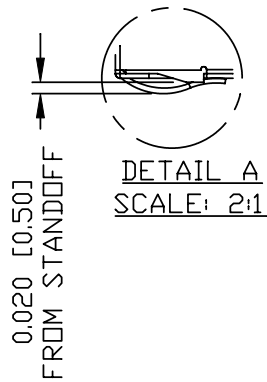
PRELIMINARY



NOTES:

- PLASTIC HOUSING: THERMOPLASTIC PBT
FLAMMABILITY RATING UL 94V-0
- CONTACTS PLATING: 50 MICRO-INCH HARD GOLD PLATING
- PINS: TIN-COATED COPPER WIRE, DIA 0.018 INCH.
- METAL SHIELD: NICKEL PLATED ON COPPER ALLOY.
(ALL GROUND LEADS ARE SOLDER DIPPED)

[1] MARK PART WITH MFG LOGO, MFG NAME, PART NUMBER DATE CODE AND PATENTED.



- 1. RoHS COMPLIANCE, PER EU DIRECTIVE 2002/95/EC
- 2. JACK CAVITY CONFORMS TO FCC RULES AND REGULATIONS.
- 3. THE PRODUCT IS PATENTED, THE PATENT NUMBER IS U.S. PAT. 5,736,910.

ORIGINATED BY LIU QIN	DATE 06-01-09	TITLE gigabit MagJack® (PoE, Without LED) 0816-1X4T-80-F PATENTED	PART NO. / DRAWING NO. 08161X4T80-F	STANDARD DIM. TOL. IN INCH	[] METRIC DIM. AS REFERENCE
DRAWN BY XIAN JIAXIN	DATE 06-01-09		FILE NAME 08161X4T80-F_PA.DWG	.X .XX .XXX ±0.010	UNIT : INCH [mm] SCALE : N/A

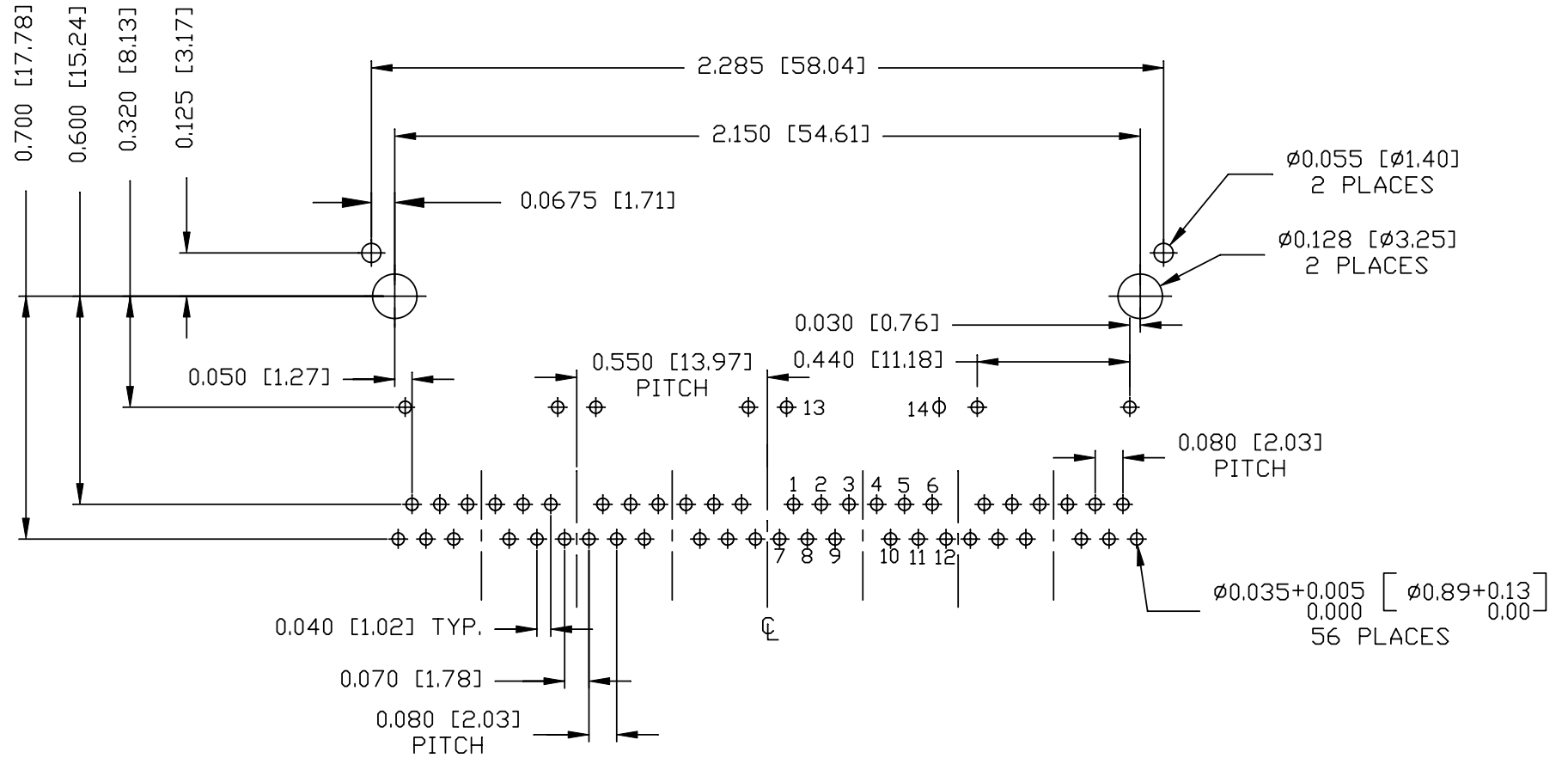


THE INFORMATION CONTAINED HEREIN IS CONSIDERED "PROPRIETARY" TO BEL FUSE INC. AND SHALL NOT BE COPIED, REPRODUCED OR DISCLOSED WITHOUT THE WRITTEN APPROVAL OF BEL FUSE INC.

RoHS
2002/95/EC



PRELIMINARY



RECOMMENDED PCB FOOTPRINT
COMPONENT SIDE VIEW

ORIGINATED BY LIU QIN	DATE 06-01-09	TITLE gigabit MagJack® (PoE, Without LED) 0816-1X4T-80-F PATENTED	PART NO. / DRAWING NO. 08161X4T80-F		STANDARD DIM. TOL. IN INCH		[] METRIC DIM. AS REFERENCE	
	DRAWN BY XIAN JIAXIN		DATE 06-01-09	FILE NAME 08161X4T80-F_PA.DWG	.X .XX .XXX	∅	UNIT : INCH [mm] SCALE : N/A	REV. : PA SIZE : A4 PAGE : 4

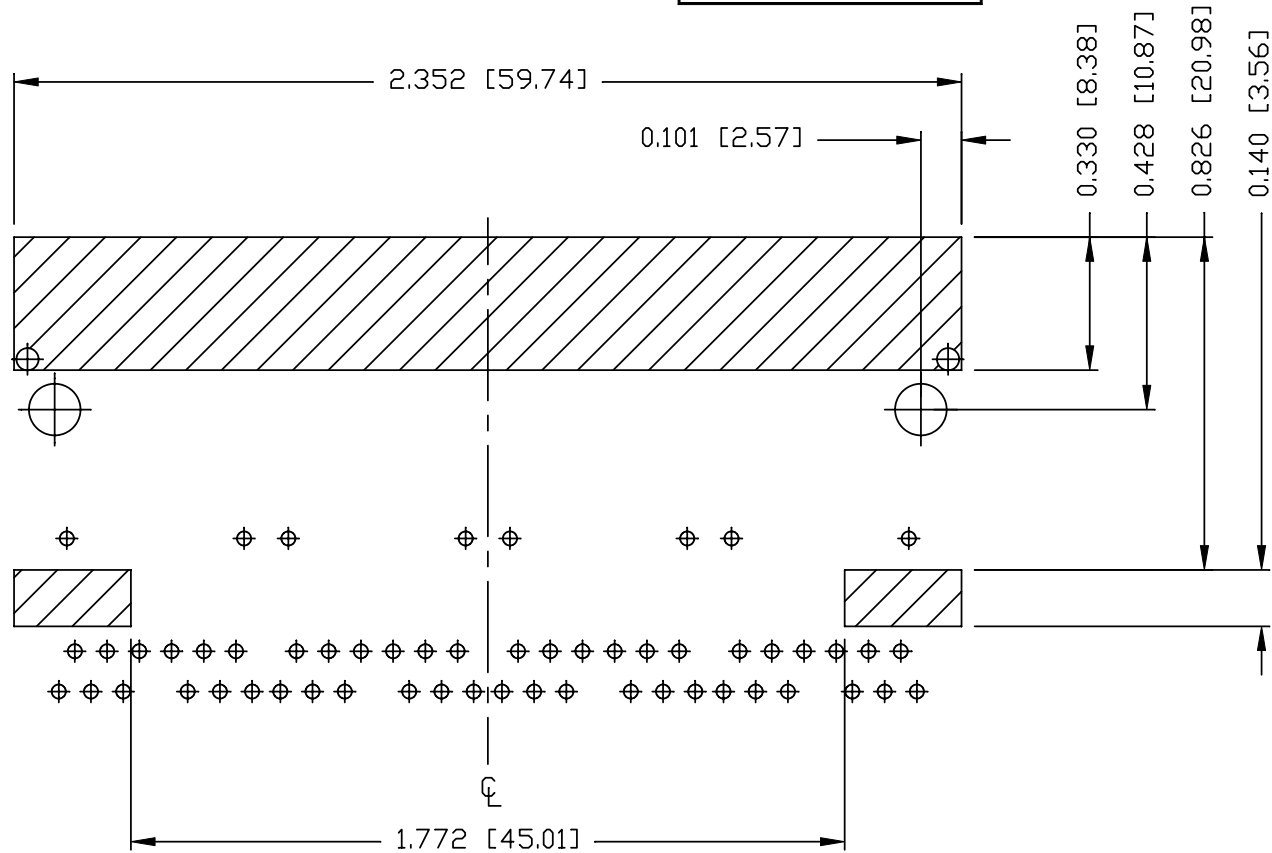


THE INFORMATION CONTAINED HEREIN IS CONSIDERED "PROPRIETARY" TO BEL FUSE INC. AND SHALL NOT BE COPIED, REPRODUCED OR DISCLOSED WITHOUT THE WRITTEN APPROVAL OF BEL FUSE INC.

RoHS
2002/95/EC



PRELIMINARY



NOTES

THE SHADED AREA ON THE CUSTOMER BOARD ARE RECOMMENDED TO BE CLEAR OFF ANY VIA HOLE OR COMPONENT PAD.

ORIGINATED BY LIU QIN	DATE 06-01-09	TITLE gigabit MagJack® (PoE, Without LED) 0816-1X4T-80-F PATENTED	PART NO. / DRAWING NO. 08161X4T80-F	STANDARD DIM. TOL. IN INCH	[] METRIC DIM. AS REFERENCE
DRAWN BY XIAN JIAXIN	DATE 06-01-09		FILE NAME 08161X4T80-F_PA.DWG	.X .XX .XXX	UNIT : INCH [mm] SCALE : N/A ±0.004



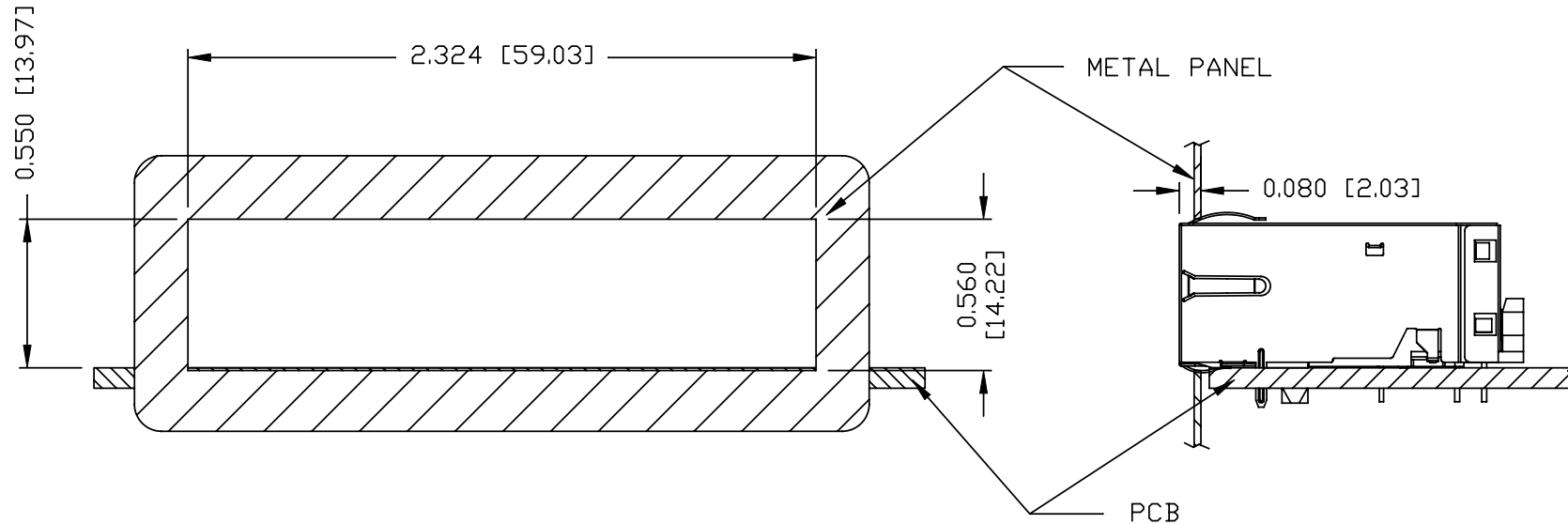
THE INFORMATION CONTAINED HEREIN IS CONSIDERED "PROPRIETARY" TO BEL FUSE INC. AND SHALL NOT BE COPIED, REPRODUCED OR DISCLOSED WITHOUT THE WRITTEN APPROVAL OF BEL FUSE INC.

RoHS
2002/95/EC



PRELIMINARY

SUGGESTED PANEL OPENING



NOTES:

THE DISTANCE OF PANEL INSIDE SURFACE RELATIVE TO FRONT SURFACE OF PART IS ONLY A SUGGESTION. IN CASE THIS DISTANCE IS DIFFERENT, THE REQUIRED PANEL OPENING DIMENSIONS CHANGE ACCORDINGLY.

PACKING INFORMATION

PACKING TRAY : 0200-9999-B4 (TOP)

0200-9999-B5 (BOTTOM)

PACKING QUANTITY : 24 PCS FINISHED GOOD PER TRAY

10 TRAYS (240 PCS FINISHED GOODS) PER CARTON BOX

NOTE : CARDBOARDS ARE PLACED BETWEEN LAYERS OF PACKING TRAY INSIDE CARTON BOX

(INCLUDE THE UPPERMOST AND LOWERMOST TRAY)

ORIGINATED BY	DATE	TITLE	PART NO. / DRAWING NO.	STANDARD DIM. TOL. IN INCH	[] METRIC DIM. AS REFERENCE
LIU QIN	06-01-09	gigabit MagJack® (PoE, Without LED) 0816-1X4T-80-F PATENTED	08161X4T80-F	.X	UNIT : INCH [mm] REV. : PA
DRAWN BY	DATE		FILE NAME	.XX	SCALE : N/A SIZE : A4
XIAN JIAXIN	06-01-09		08161X4T80-F_PA.DWG	.XXX ±0.004	⊕ ← PAGE : 6

