

THE INFORMATION CONTAINED HEREIN IS CONSIDERED 'PROPRIETARY' TO BEL FUSE INC. AND SHALL NOT BE COPIED, REPRODUCED OR DISCLOSED WITHOUT THE WRITTEN APPROVAL OF BEL FUSE INC.

RoHS



ELECTRICAL CHARACTERISTICS @ 25°C

URNS RATIO

TP1	1CT : 1CT ±2%
TP2	1CT : 1CT ±2%
TP3	1CT : 1CT ±2%
TP4	1CT : 1CT ±2%

□CL @ 100kHz/100mVRMS

8mA DC BIAS 350µH MIN.

INS. LOSS

0.1MHz TO 1MHz	-1.1 dB MAX
1MHz TO 65MHz	-0.5 dB MAX
65MHz TO 100MHz	-0.8 dB MAX
100MHz TO 125MHz	-1.2 dB MAX

RET. LOSS (MIN)

0.5MHz-40MHz	-18 dB
40MHz-100MHz	-12+20LOG(f/80MHz) dB

CM TO CM REJ

100kHz - 100MHz -30 dB MIN

CM TO DM REJ

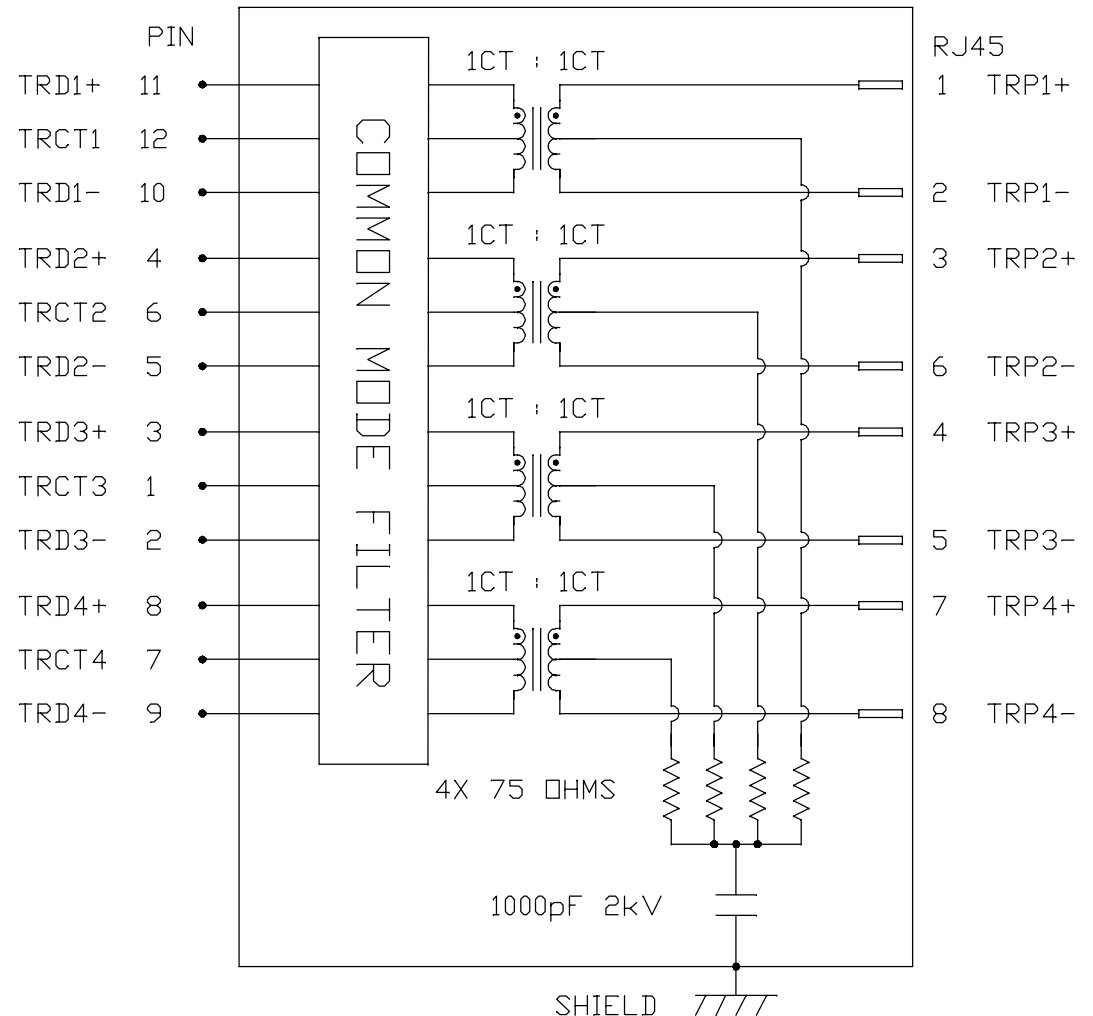
100kHz - 100MHz -35 dB MIN

HIPOT (Isolation Voltage): 1500 Vrms

100% OF PRODUCT TESTED IN PRODUCTION TO COMPLY WITH IEEE 802.3 ISOLATION REQUIREMENTS

OPERATING TEMPERATURE: -40 TO +85°C

SCHEMATIC



ORIGINATED BY  
CHOW WANCHUNG  
DATE 2017-04-24  
DRAWN BY  
XIE YIMING  
DATE 2017-04-24

TITLE  
gigabit MagJack®  
(Ext, Temp, Tab Up)  
0816-1X1T-32-F  
PATENTED

PART NO. / DRAWING NO.  
08161X1T32-F  
FILE NAME  
08161X1T32-F\_C.DWG

STANDARD DIM. TOL. IN INCH	[ ] METRIC DIM. AS REF.
.X	UNIT : INCH [mm]
.XX	SCALE : N/A
.XXX	SIZE : A4

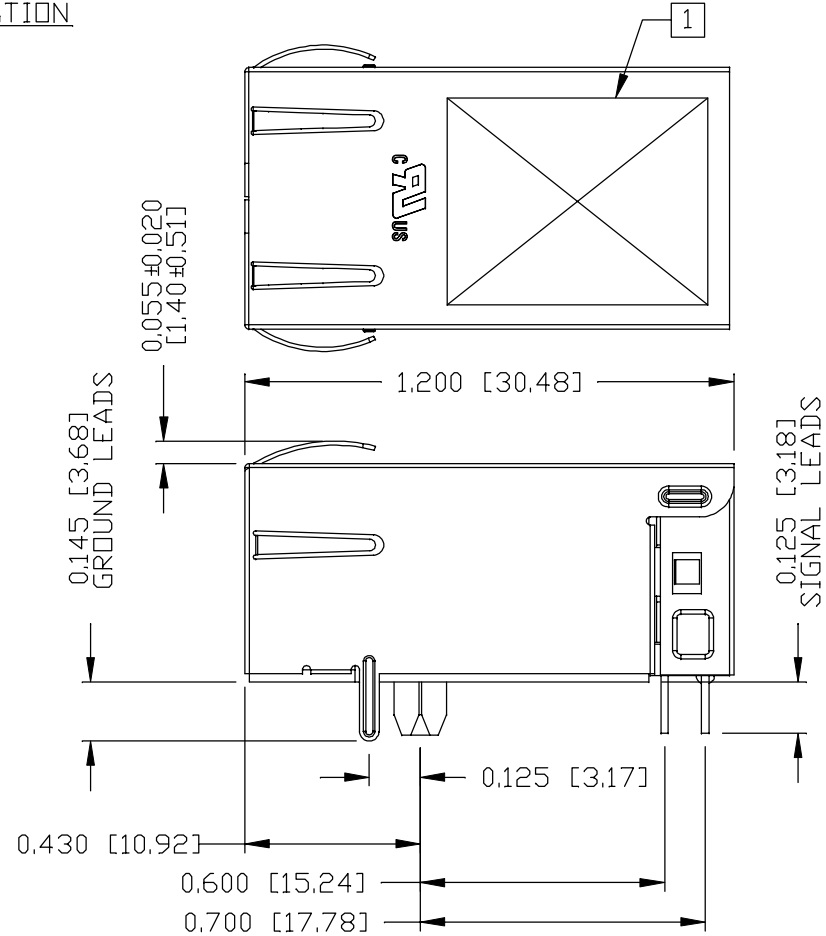
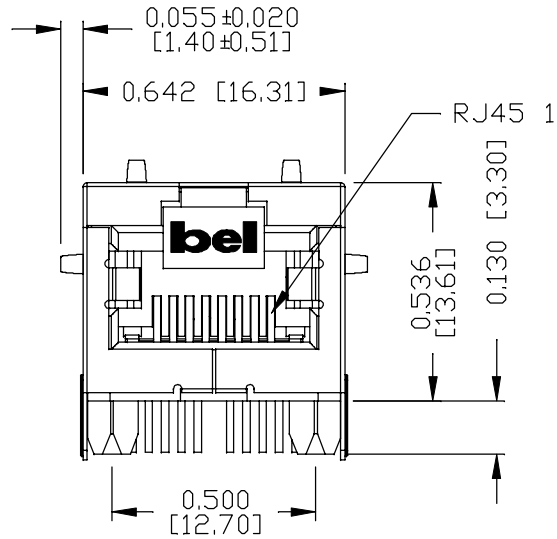
REV. : C PAGE : 2



THE INFORMATION CONTAINED HEREIN IS CONSIDERED "PROPRIETARY" TO BEL FUSE INC. AND SHALL NOT BE COPIED, REPRODUCED OR DISCLOSED WITHOUT THE WRITTEN APPROVAL OF BEL FUSE INC.

MECHANICAL SPECIFICATION

RoHS



NOTES:

- PLASTIC HOUSING: THERMOPLASTIC PA, BLACK  
FLAMMABILITY RATING UL 94V-0
- CONTACTS: 50 MICRO-INCH HARD GOLD PLATING OR EQUIVALENT.
- OUTPUT PINS: TIN-COATED COPPER WIRE, DIA 0.018 INCH.  
100 MICRO-INCH MIN MATTE TIN.  
PINS ARE SOLDER DIPPED.
- METAL SHIELD: NICKEL PLATED ON COPPER ALLOY.  
(ALL GROUND LEADS ARE SOLDER DIPPED)
- 1. MARK PART WITH MFG LOGO, MFG NAME, PART NUMBER, DATE CODE AND PATENTED.
- 2. THE PRODUCT IS RoHS COMPLIANT.

- c R/us** UL RECOGNIZED - FILE #E196366 AND E169987.
- 3. JACK CAVITY CONFORMS TO FCC RULES AND REGULATIONS.
- 4. THE PRODUCT IS PATENTED. THE PATENT NUMBER IS U.S. PAT. 7,123,117.
- 5. THE PART IS RECOMMENDED FOR WAVE SOLDERING. THE SUGGESTED PEAK WAVE SOLDERING CONDITION IS 260°C MAX AND 10 SECONDS MAX.

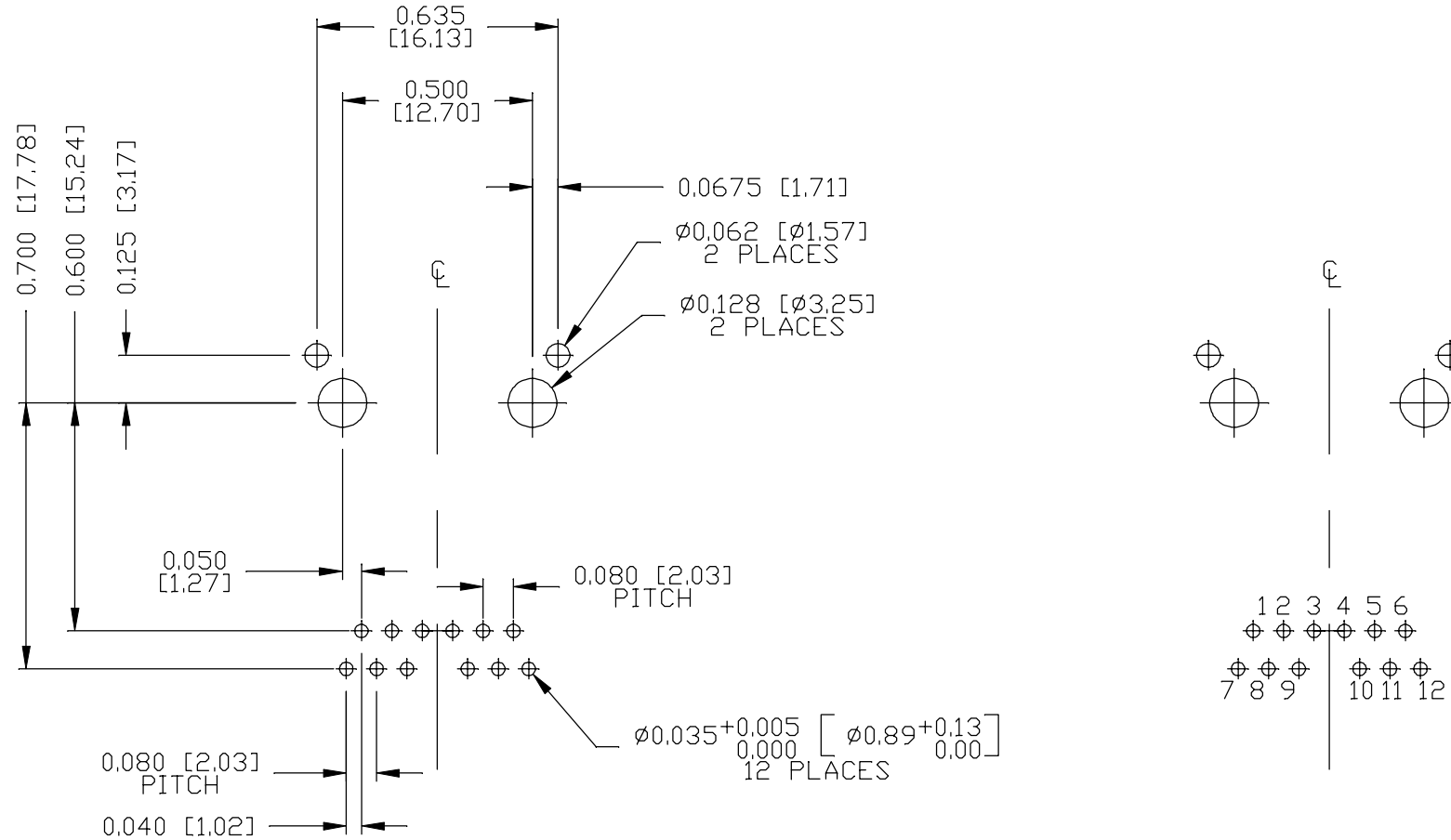
<b>ORIGINATED BY</b> LI QUANKUN <b>DATE</b> 2017-04-24		<b>TITLE</b> gigabit MagJack® (Ext, Temp, Tab Up) 0816-1X1T-32-F PATENTED		<b>PART NO. / DRAWING NO.</b> 08161X1T32-F		<b>STANDARD DIM.</b> TOL. IN INCH [ ] METRIC DIM. AS REF.		<b>REV. :</b> C <b>PAGE :</b> 3	
<b>DRAWN BY</b> ZHANG XUEZHENG <b>DATE</b> 2017-04-24		<b>FILE NAME</b> 08161X1T32-F_C.DWG		.X .XX .XXX ±0.010		UNIT : INCH [mm] SCALE : N/A SIZE : A4			

THE INFORMATION CONTAINED HEREIN IS CONSIDERED "PROPRIETARY" TO BEL FUSE INC. AND SHALL NOT BE COPIED, REPRODUCED OR DISCLOSED WITHOUT THE WRITTEN APPROVAL OF BEL FUSE INC.

RoHS



RECOMMENDED PCB FOOTPRINT  
COMPONENT SIDE VIEW



REV. : C PAGE : 4

ORIGINATED BY  
LI QUANKUN  
DATE 2017-04-24  
DRAWN BY  
ZHANG XUEZHENG  
DATE 2017-04-24

TITLE  
gigabit MagJack®  
(Ext, Temp, Tab Up)  
0816-1X1T-32-F  
PATENTED

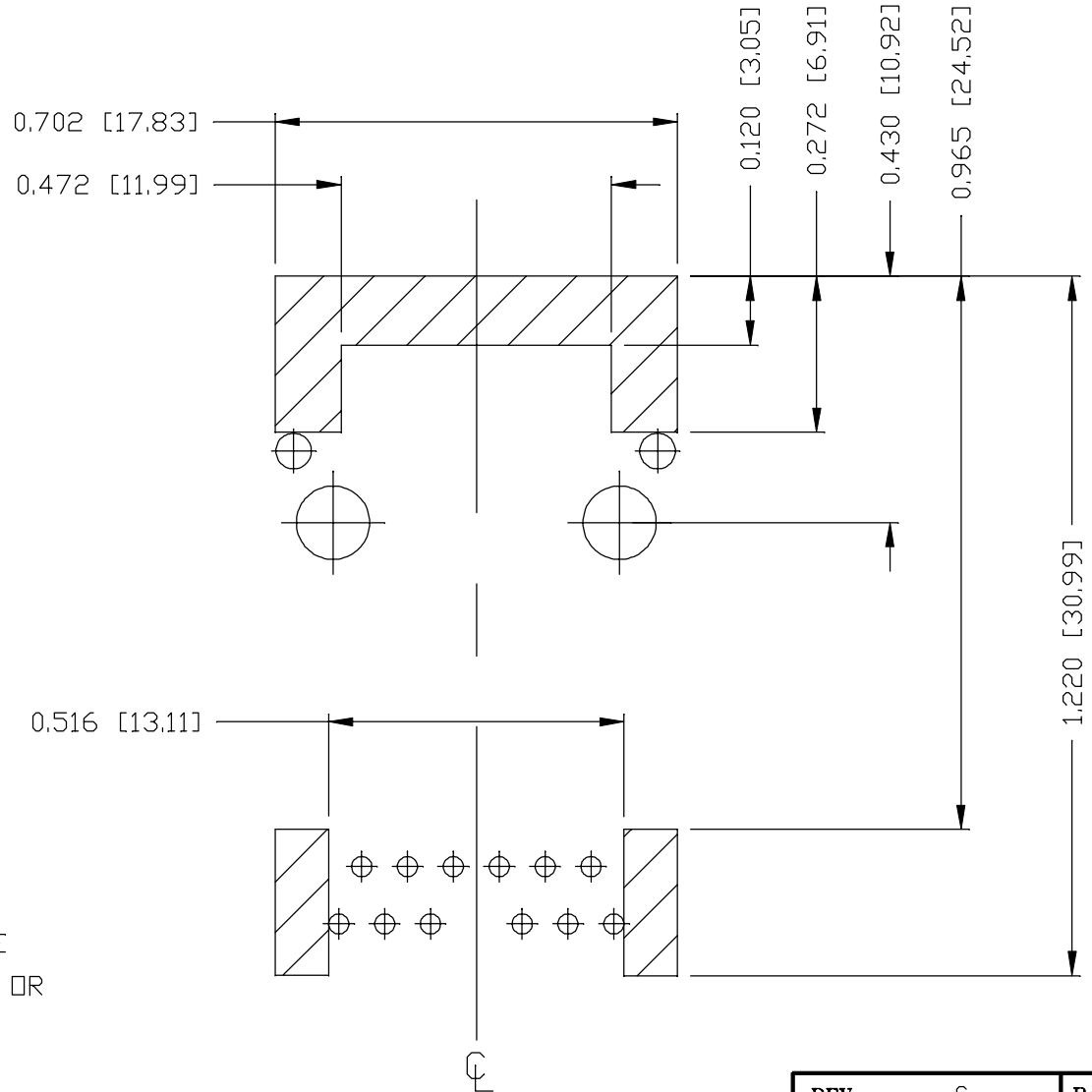
PART NO. / DRAWING NO.  
08161X1T32-F  
FILE NAME  
08161X1T32-F\_C.DWG

STANDARD DIM. TOL. IN INCH	[ ] METRIC DIM. AS REF.
.X	UNIT : INCH [mm]
.XX	SCALE : N/A
.XXX	±0.004
	SIZE : A4



THE INFORMATION CONTAINED HEREIN IS CONSIDERED "PROPRIETARY" TO BEL FUSE INC. AND SHALL NOT BE COPIED, REPRODUCED OR DISCLOSED WITHOUT THE WRITTEN APPROVAL OF BEL FUSE INC.

RoHS



NOTES

THE SHADED AREA ON THE CUSTOMER BOARD ARE RECOMMENDED TO BE CLEAR OFF ANY VIA HOLE OR COMPONENT PAD.

ORIGINATED BY  
LI QUANKUN  
DATE 2017-04-24

DRAWN BY  
ZHANG XUEZHENG  
DATE 2017-04-24

TITLE  
gigabit MagJack®  
(Ext, Temp, Tab Up)  
0816-1X1T-32-F  
PATENTED

PART NO. / DRAWING NO.  
08161X1T32-F

FILE NAME  
08161X1T32-F\_C.DWG

STANDARD DIM. [ ] METRIC DIM.  
TOL. IN INCH AS REF.

.X		UNIT : INCH [mm]
.XX		SCALE : N/A
.XXX	±0.004	SIZE : A4

REV. : C PAGE : 5



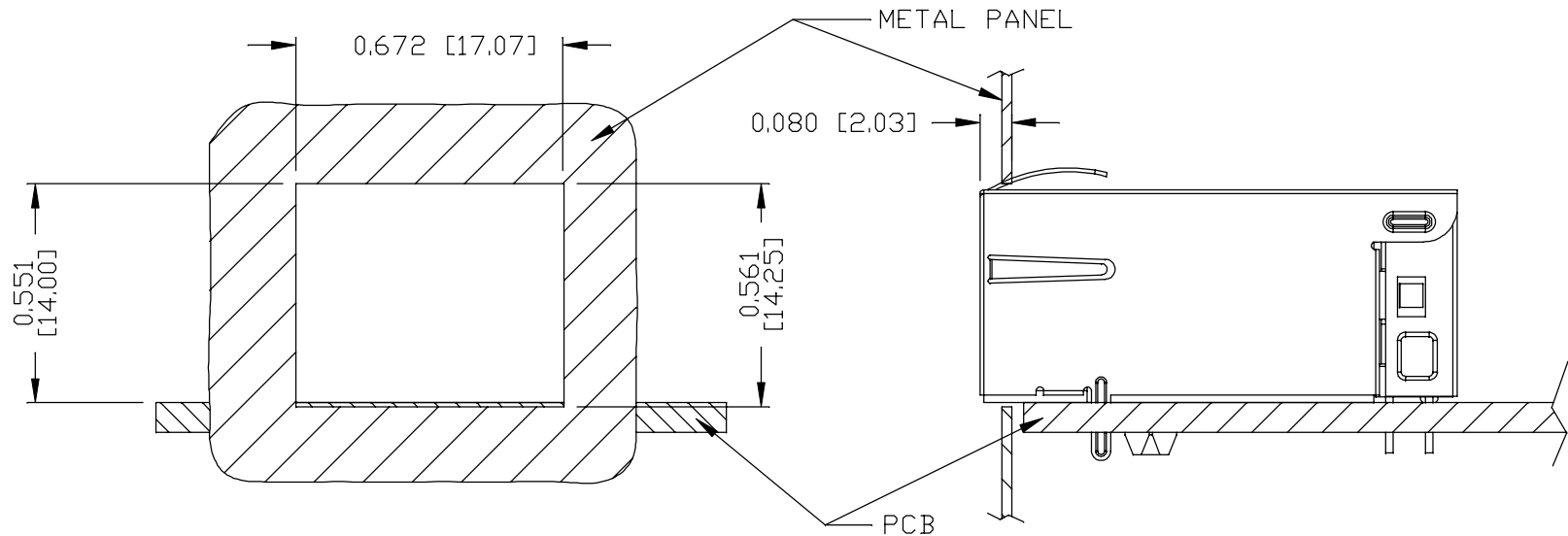
a bel group

THE INFORMATION CONTAINED HEREIN IS CONSIDERED "PROPRIETARY" TO BEL FUSE INC. AND SHALL NOT BE COPIED, REPRODUCED OR DISCLOSED WITHOUT THE WRITTEN APPROVAL OF BEL FUSE INC.

RoHS



SUGGESTED PANEL OPENING



PACKING INFORMATION

THE DISTANCE OF PANEL INSIDE SURFACE RELATIVE TO FRONT SURFACE OF PART IS ONLY A SUGGESTION. IN CASE THIS DISTANCE IS DIFFERENT, THE REQUIRED PANEL OPENING DIMENSIONS CHANGE ACCORDINGLY.

PACKING TRAY : 0200-9999-F1 (TOP)

0200-9999-F2 (BOTTOM)

PACKING QUANTITY : 40 PCS FINISHED GOODS PER TRAY

10 TRAYS (400 PCS FINISHED GOODS) PER CARTON BOX

NOTE : CARDBOARDS ARE PLACED BETWEEN LAYERS OF PACKING TRAY INSIDE CARTON BOX (INCLUDE THE UPPERMOST AND LOWERMOST TRAY)

REV. :	C	PAGE :	6
--------	---	--------	---

<b>ORIGINATED BY</b> LI QUANKUN <b>DATE</b> 2017-04-24 <b>DRAWN BY</b> ZHANG XUEZHENG <b>DATE</b> 2017-04-24	<b>TITLE</b> gigabit MagJack® (Ext, Temp, Tab Up) 0816-1X1T-32-F PATENTED	<b>PART NO. / DRAWING NO.</b> 08161X1T32-F	<b>STANDARD DIM.</b> TOL. IN INCH	<b>[ ] METRIC DIM.</b> AS REF.
		<b>FILE NAME</b> 08161X1T32-F_C.DWG	.X .XX .XXX	UNIT : INCH [mm] SCALE : N/A SIZE : A4
		±0.004		

