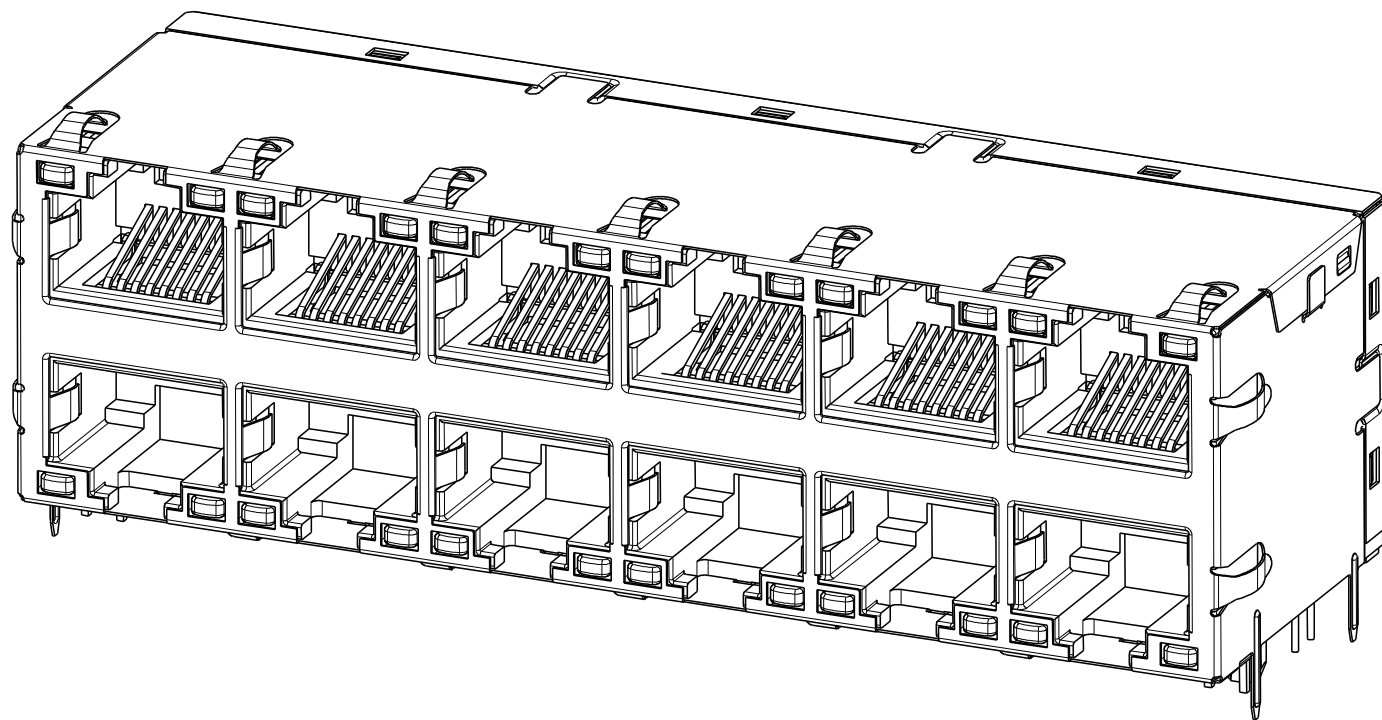


THIS DRAWING AND THE SUBJECT MATTER SHOWN THEREON ARE CONFIDENTIAL AND THE PROPERTY OF BEL/STEWART/TRP CONNECTOR AND SHALL NOT BE REPRODUCED, COPIED, OR USED IN ANY MANNER WITHOUT THE WRITTEN CONSENT OF TRP CONNECTOR.

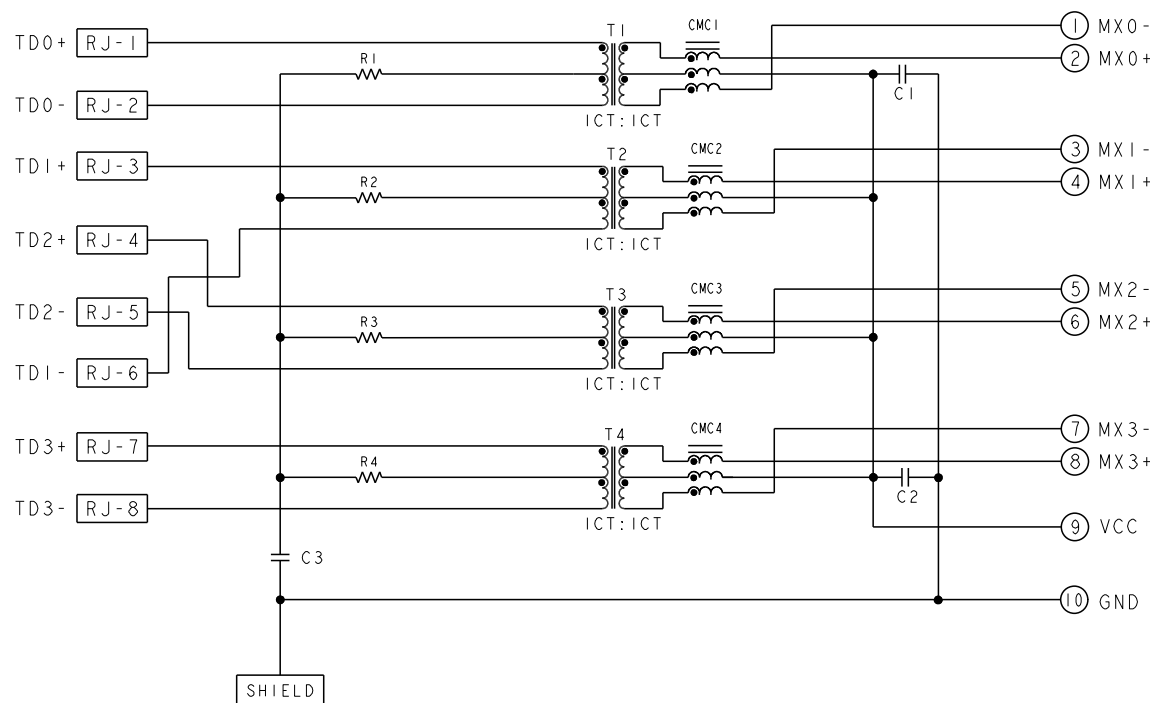
PRODUCT MAY BE PROTECTED BY ONE OR MORE OF THE FOLLOWING US PATENTS:
 5736910 5939955 6425781 6428361 6554638 6840817 7123117
 7429195 7717749 7808751 6217391 6149050 7924130

REVISIONS				
#	LTN	DESCRIPTION	DATE	DWN APVD
1		SEE FINAL SHEET	22FEB2016	RL TY



S8QT01 2.5G CIRCUIT

TOP AND BOTTOM PORTS

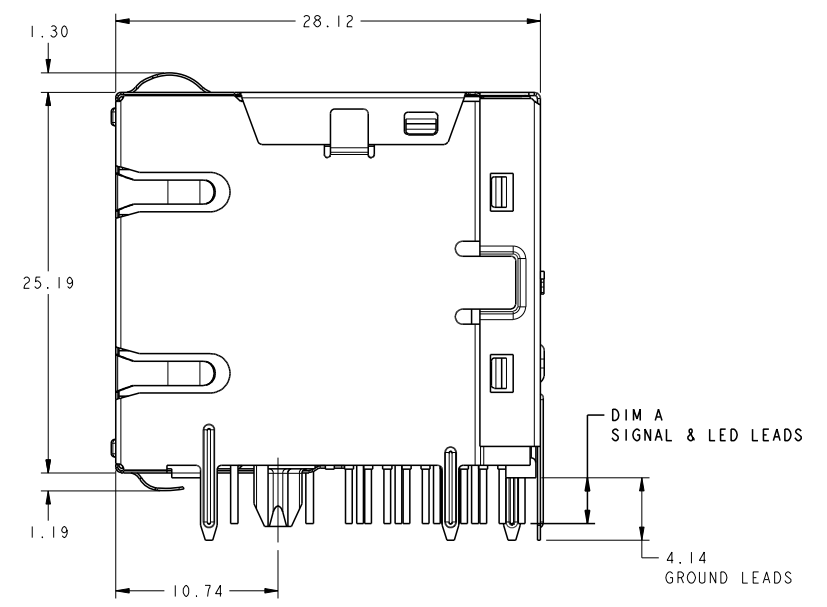
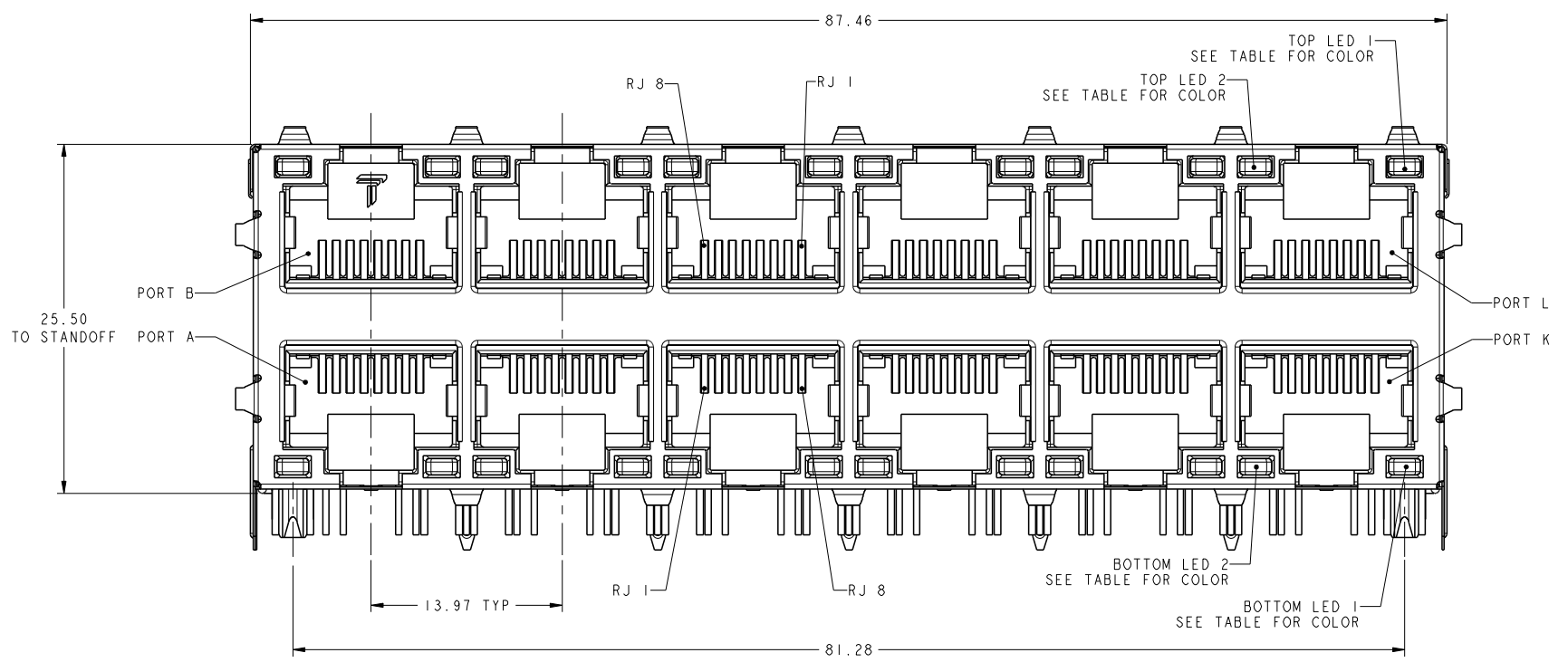
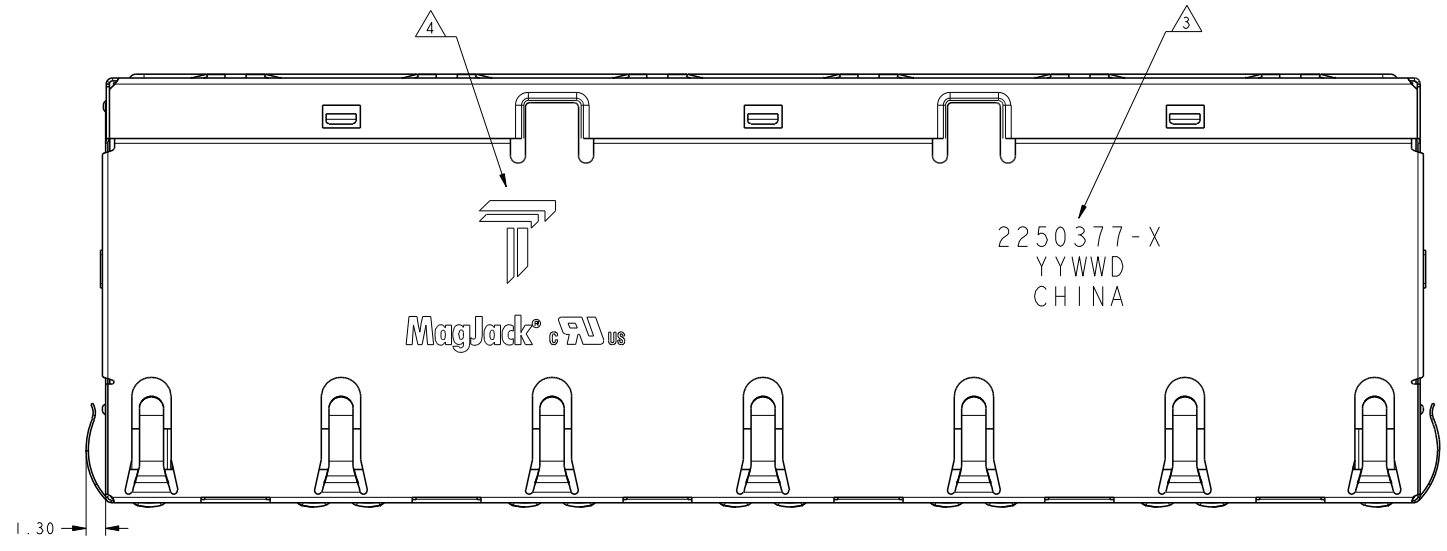


C1-C2 = 10nF, 50V, X7R, CAPACITORS
 C3 = 1000pF, 2kV, CAPACITOR
 R1-R4 = 75 Ohms, 1/16W, RESISTORS

- MATERIALS:**
 PLASTIC HOUSING: BLACK, THERMOPLASTIC FLAMMABILITY RATING UL 94V-0
 SHIELD: BRASS, PREPLATED WITH 0.76um MIN SEMI-BRIGHT NICKEL,
 POST DIPPED WITH 2.54um MIN SAC SOLDER OR PURE TIN SOLDER DIP
 ON SOLDER TAILS
 CONTACTS: PHOSPHOR BRONZE, 1.27um MIN OVERALL NICKEL
 UNDERPLATE WITH SELECT 1.27um MIN GOLD AT MATING INTERFACE AND
 2.54um MIN MATTE TIN ON SOLDER TAILS.
 LED: DIFFUSED EPOXY LENS, CARBON STEEL LEAD FRAME TAILS OF LED
 ARE PREPLATED WITH 2.03um MIN SILVER OVER 1.02um MIN NICKEL
 UNDERPLATE OVER 1.02um MIN COPPER UNDERPLATE. POST-PLATED WITH
 2.54um MIN MATTE TIN AND/OR SAC SOLDER DIP OR PURE TIN SOLDER DIP
- MAGNETICS**
 APPLICATION: 2.5G BASE-T
 IMPEDANCE: 100 OHMS
 TURNS RATIO (CHIP:CABLE): 1:1 ALL FOUR PAIRS
 OPEN CIRCUIT INDUCTANCE (OCL):
 ALL CHANNELS 180uH MIN @ 100kHz, 0.1 VRMS WITH 8mA DC BIAS FROM 0°C TO 70°C,
 ALL FOUR PAIRS BI-DIRECTIONAL
 PERFORMANCE @ 25°C:
 INSERTION LOSS (IL): 0.004*(f) + 0.4 MAX FROM 1MHz TO 150MHz
 RETURN LOSS (RL): 20dB MIN FROM 1MHz TO 40MHz
 20 - 15LOG10(f/40)dB MIN FROM 40MHz TO 150MHz
 CROSSTALK ATTENUATION: 35dB MIN FROM 1MHz TO 40MHz
 35 - 15LOG10(f/40)dB MIN FROM 40MHz TO 150MHz
 COMMON MODE REJECTION: 25dB MIN FROM 1MHz TO 150MHz
 ISOLATION VOLTAGE: 2250VDC(MAX) FOR 60 SECONDS WITH A RISE TIME OF
 500V/SEC AND WITH ALL PORTS CONNECTED.
- PART NUMBER, DATE CODE AND COUNTRY OF ORIGIN ARE
 LOCATED IN APPROXIMATE AREA SHOWN.
 DATE CODE: YYWD WHERE "YY" IS YEAR, "WW" IS WORK WEEK, "D" IS DAY
 OF WEEK, WITH SUNDAY =1
- TRP CONNECTOR LOGO AND AGENCY APPROVAL LOGO ARE
 LOCATED IN APPROXIMATE AREA SHOWN.
- OPERATING TEMP: FROM 0°C TO 70°C.
- RJ45 CAVITY CONFORMS TO FCC RULES AND REGULATION PART 68 SUBPART F.
- INDICATED MAGNETIC CONNECTIONS ARE SYMMETRICAL AND
 SUPPORT AUTO-MDI/MDIX.
- DATUM AND BASIC DIMENSION ESTABLISHED BY CUSTOMER.
- BASIC DIMENSION ESTABLISHED BY CUSTOMER, BUT MAY NOT BE
 GREATER THAN 5.08mm.
- LEDs ARE DRIVEN WITH CONSTANT CURRENT AT APPROX 20mA
 LED COLOR: DOMINANT WAVELENGTH (λD): GREEN 568 nm TYP. @ IF=20mA
 FORWARD VOLTAGE (VF): GREEN 2.2V TYP. @ IF=20mA
 DOMINANT WAVELENGTH (λD): ORANGE 605 nm TYP. @ IF=20mA
 FORWARD VOLTAGE (VF): ORANGE 2.1V TYP. @ IF=20mA
- THE PARTS ARE RECOMMENDED FOR WAVE SOLDERING PROCESS,
 PEAK TEMPERATURE 260°C MAX, 10 SECONDS MAX.

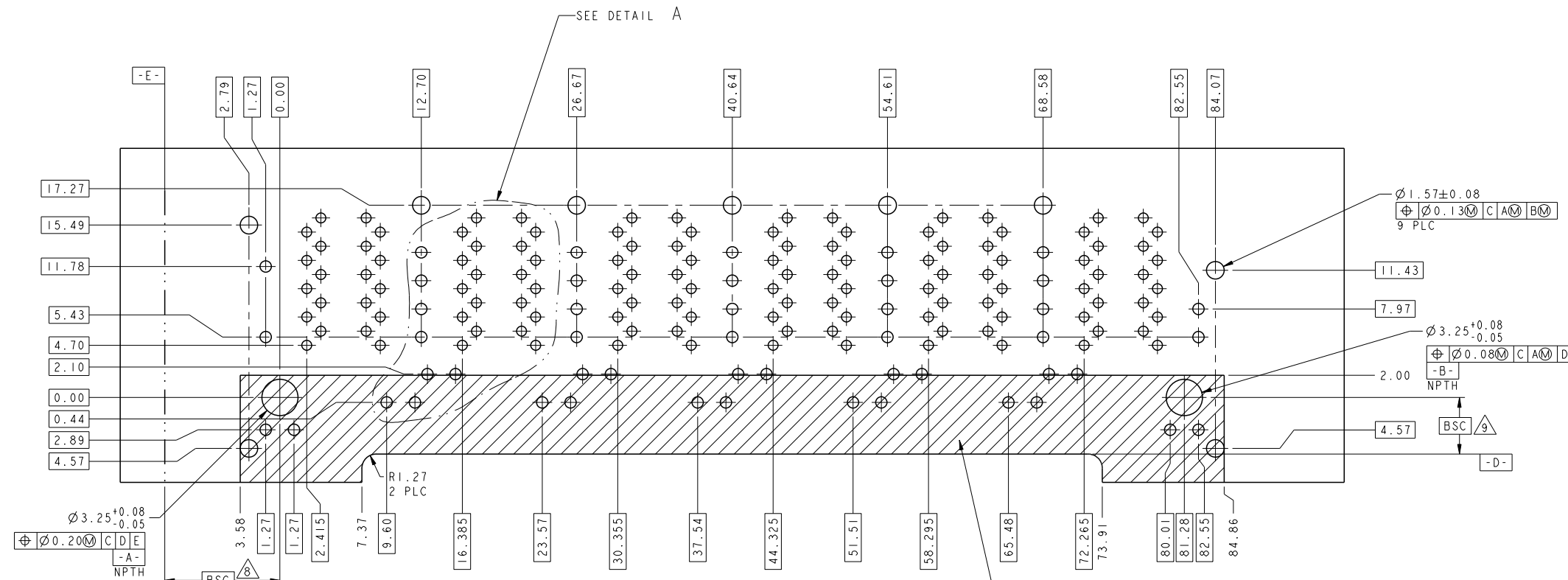
DESIGN PROPOSAL
 CONTACT TRP FOR AVAILABILITY STATUS

3.04	GREEN/ORANGE	GREEN/ORANGE	GREEN/ORANGE	GREEN/ORANGE	2250377-1
DIM A	BOTTOM LED 2	BOTTOM LED 1	TOP LED 2	TOP LED 1	PART NUMBER
THIS DRAWING IS A CONTROLLED DOCUMENT. AND COMPLIANT TO ASME Y14.5M		DWN: RICK LI 22FEB2016 CHK: TOMMY REN/BILL LIU 22FEB2016 APP'D: TONY YUAN 22FEB2016		DONGGUAN CHINA	
DIMENSIONS: mm		TOLERANCES UNLESS OTHERWISE SPECIFIED:		MODEL NAME: MAGJACK STACK DESC: 2X6 S8QT01 2.5G CIRCUIT, W/ LED	
0 PLC ±0.25 1 PLC ±0.25 2 PLC ±0.25 3 PLC ± 4 PLC ± ANGLES ±		PRODUCT SPEC: APPLICATION SPEC		SIZE: A1 CAGE CODE: 2250377 DRAWING NO: 2250377 RESTRICTED TO: CUSTOMER DRAWING	
SCALE: NTS			SHEET 1 OF 5 REV 1		



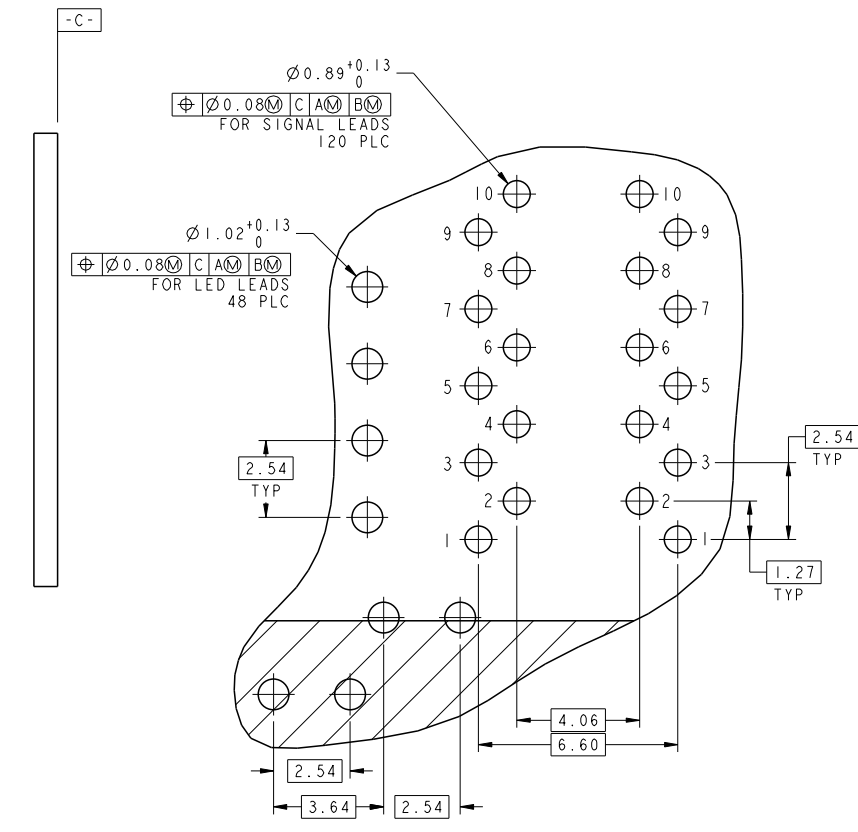
THIS DRAWING IS A CONTROLLED DOCUMENT. AND COMPLIANT TO ASME Y14.5M

DIMENSIONS:	TOLERANCES UNLESS OTHERWISE SPECIFIED:	DWN: RICK LI 22FEB2016	<p>trp CONNECTOR DONGGUAN CHINA</p>
mm	0 PLC ±0.25	CHK: TOMMY REN/BILL LIU 22FEB2016	
	1 PLC ±0.25	APP'D: TONY YUAN 22FEB2016	
	2 PLC ±0.25		
	3 PLC ±	MODEL NAME: MAGJACK STACK	DESC: 2X6 S8QT01 2.5G CIRCUIT, W/ LED
	4 PLC ±	SIZE: A1	CAGE CODE: 2250377
	ANGLES ±	PRODUCT SPEC:	RESTRICTED TO
	APPLICATION SPEC:	CUSTOMER DRAWING	SCALE: NTS SHEET 2 OF 5 REV 1

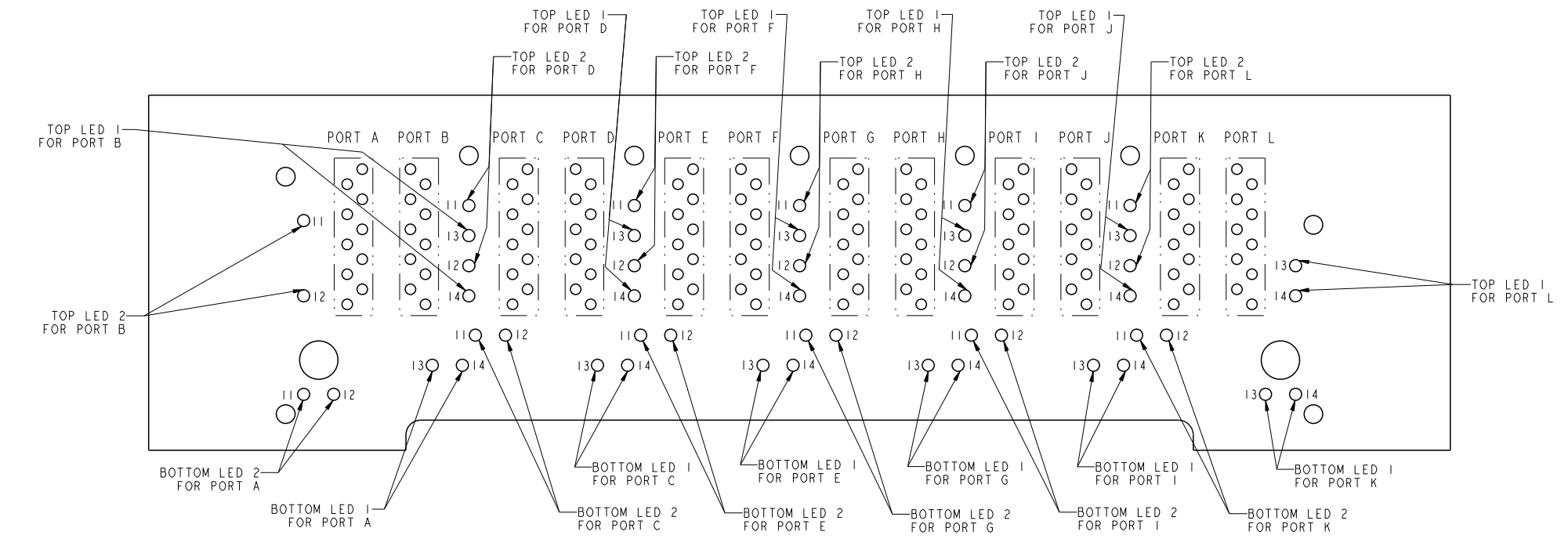


**RECOMMENDED PCB LAYOUT
COMPONENT SIDE VIEW**

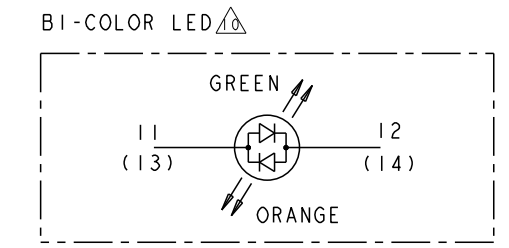
IT IS RECOMMENDED THAT SHADED AREA OF CUSTOMER PC BOARD BE CLEAR OF ANY VIA HOLE, COMPONENT AND CIRCUIT TRACE.



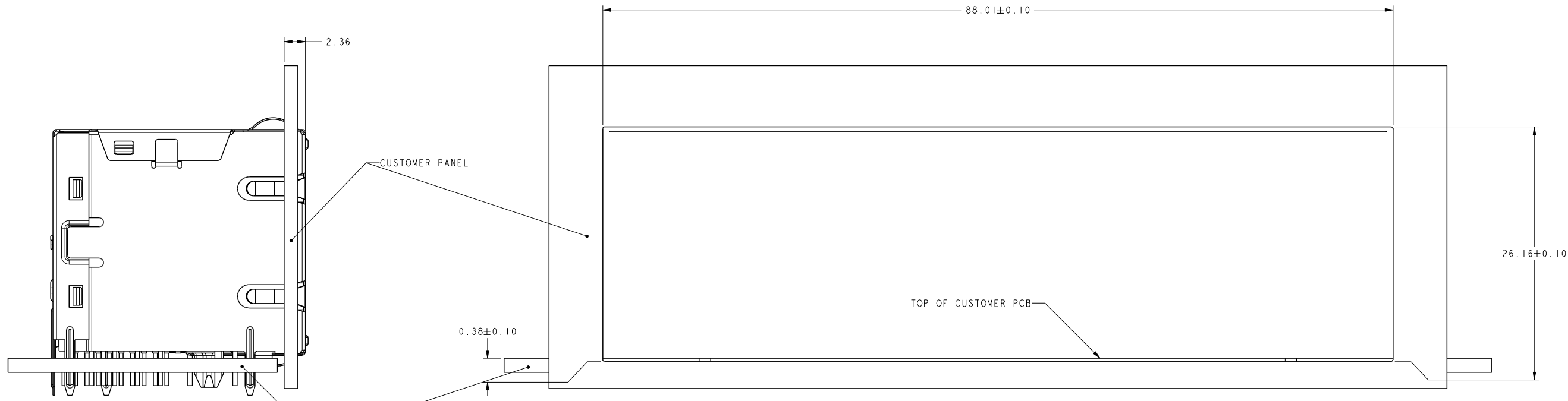
DETAIL A
SCALE 8:1



**PORT ASSIGNMENT & LED HOLE DESIGNATIONS
COMPONENT SIDE VIEW**




THIS DRAWING IS A CONTROLLED DOCUMENT. AND COMPLIANT TO ASME Y14.5M		DWN: RICK LI 22FEB2016	 DONGGUAN CHINA
DIMENSIONS: mm		CHK: TOMMY REN/BILL LIU 22FEB2016	
 0 PLC ±0.25 1 PLC ±0.25 2 PLC ±0.25 3 PLC ±0.25 4 PLC ±0.25 ANGLES ±		APP'D: TONY YUAN 22FEB2016	DESC: 2X6 S8QTO1 2.5G CIRCUIT, W/ LED
PRODUCT SPEC		APPLICATION SPEC	SIZE: A1
			SCALE: NTS
			SHEET 3 OF 5
			REV 1


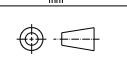


SHOWN WITH PANEL AND CUSTOMER PCB ASSEMBLY

SUGGESTED PANEL CUTOUT DIMENSIONS

THIS DRAWING IS A CONTROLLED DOCUMENT. AND COMPLIANT TO ASME Y14.5M		DWN RYCK LI 22FEB2016	 trp CONNECTOR <small>a bel group</small>	DONGGUAN CHINA	
DIMENSIONS: mm		CHK TOMMY REN/BILL LIU 22FEB2016		DESC 2X6 S8QT01 2.5G CIRCUIT, W/ LED	RESTRICTED TO
TOLERANCES UNLESS OTHERWISE SPECIFIED: 0 PLC ±0.25 1 PLC ±0.25 2 PLC ±0.25 3 PLC ± 4 PLC ± ANGLES ± APPLICATION SPEC		APP'D TONY YUAN 22FEB2016		MODEL NAME MAGJACK STACK	SIZE A1
PRODUCT SPEC	APPLICATION SPEC	CUSTOMER DRAWING		SCALE NTS SHEET 4 OF 5 REV 1	

2250377					STOCK DISPOSITION			
2X6 S80T01 2.5G CIRCUIT, W/ LED					A: CONTINUE AS IS D: USE OLD FIRST B: REWORK E: PARTS TO CONFORM C: SCRAP F: OTHER			
REVISION HISTORY					INVENTORY	WORK	SUPPLIER	OPEN CUST
DATE	REV	CHANGES	REASON	APPROVAL	(A,B,C,D,E,F)	IN PROCESS (A,B,C,F)	ORDERS (A,E,F)	ORDERS (A,E,F)
22FEB2016	I	-	INITIAL RELEASE	TY	-	-	-	-

THIS DRAWING IS A CONTROLLED DOCUMENT. AND COMPLIANT TO ASME Y14.5M		DWN RYCK LI	22FEB2016	 trp CONNECTOR a bel group	DONGGUAN CHINA	
DIMENSIONS: mm		CHK TOMMY REN/BILL LIU	22FEB2016		MODEL NAME MAGJACK STACK	DESC 2X6 S80T01 2.5G CIRCUIT, W/ LED
		APP'D TONY YUAN	22FEB2016		SIZE A1	RESTRICTED TO
PRODUCT SPEC	APPLICATION SPEC	CUSTOMER DRAWING		SCALE NTS	SHEET 5 OF 5	REV 1