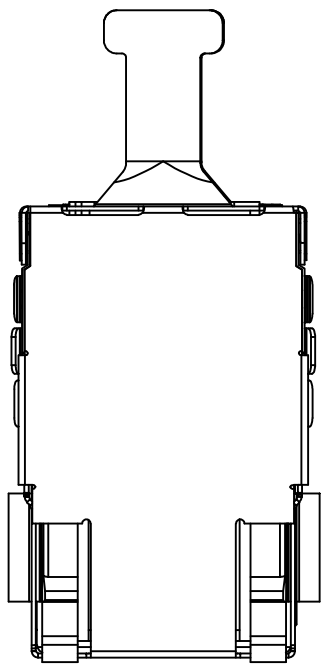
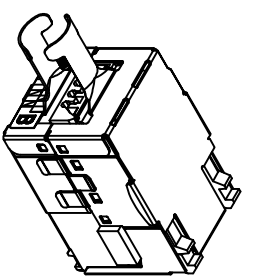


DATE	REV	EON	APP'D. BY
3-29-16	A8	10646	TRM
11-14-17	A9	11149	TRM



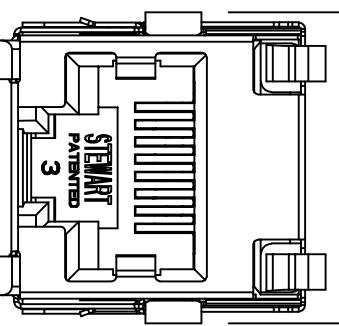
B  
 .69  
 [17.53]  
 MAX

1.51 [38.35]  
 MAX

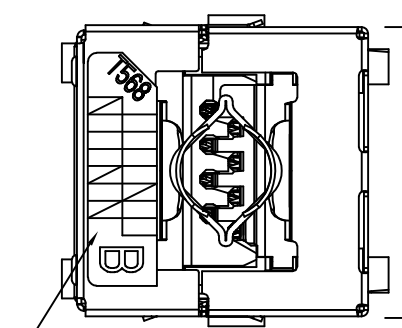
1.06 [26.93]  
 MAX

.680 [17.27]  
 MIN

.725  
 [18.42]  
 MAX



WIRING  
 IDENTIFICATION  
 LABEL

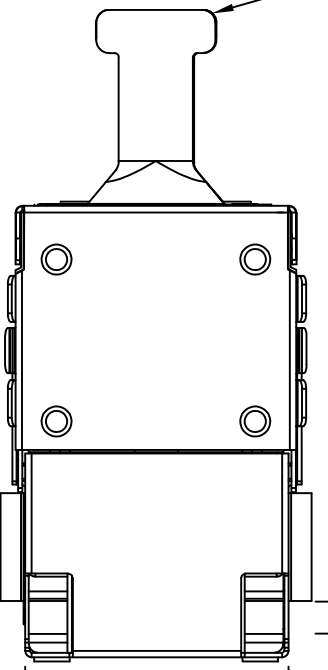


LOAD BAR

INSERTION DIRECTION

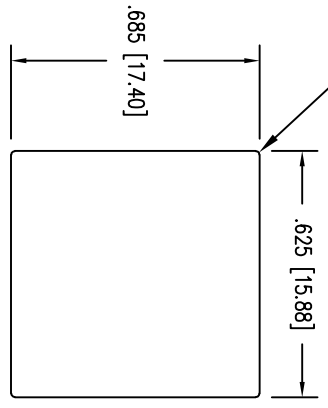
PANEL

WIRE  
 STRAIN RELIEF

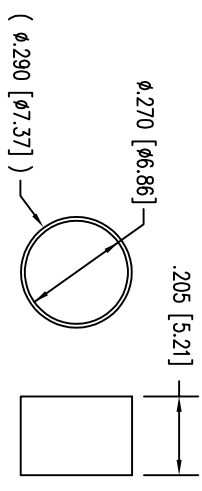


.619 [15.72] MAX.

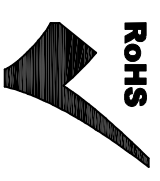
(4) R.010 [0.25]  
 MAX.



RECOMMENDED PANEL OPENING  
 .074 [1.88] MAXIMUM PANEL THICKNESS

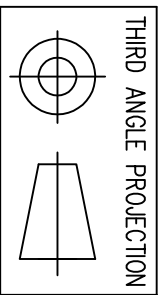


FERRULE  
 P/N F-270-205

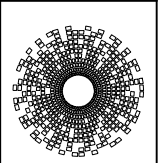


- NOTES:
- CONNECTOR MATERIALS:  
 HOUSING: THERMOPLASTIC U194 V-0  
 CONTACTS/SHIELD: COPPER ALLOY  
 SHIELD PLATING: NICKEL  
 FERRULE PLATING: NICKEL OR TIN  
 CONTACT PLATING: SELECTIVE GOLD IN CONTACT AREA  
 SEE CHART FOR PART NUMBER
  - FOR PRODUCT SPECIFICATIONS SEE PRO26-01.
  - DIMENSIONS AND TOLERANCES COMPLY WITH TIA-1096 STANDARD.

50 MICRO-INCHES [1.27um]	SS-82100-001
CONTACT PLATING IN MATING AREA	PART NUMBER



THIRD ANGLE PROJECTION  
 DO NOT SCALE DRAWING  
 DRAWING IS SUBJECT TO  
 CHANGE WITHOUT NOTICE  
 DIMENSIONS: INCHES [METRIC]  
 UNLESS OTHERWISE SPECIFIED  
 TOLERANCES ARE ±.005 [0.13]  
 ANGLES ARE ± 1°



11118 Susquehanna Trail South  
 Glen Rock, PA 17327-9199  
 (717) 235-7512  
<http://www.stewartconnector.com>

SHIELDED CABLE READY CAT5e JACK  
 (SHOWN IN TERMINATED CONDITION)

DRN BY: TRM	DATE: 7-18-05
APPR BY: DHG	DATE: 7-18-05
DWG NO. CT820006	REV. A9