

NOTE:

1. FIBRE SIZE: 9/125, 50/125 OR 62.5/125
2. FIBRE TYPE:
4 CORE MIL-TAC D Ø5.5mm (BACKSHELL)
900µm BUFFERED FIBRE (NO BACKSHELL)
3. MATERIAL:
SHELL: STAINLESS STEEL 316, PASSIVATED
BACKSHELL: ACETAL, BLACK
4. BACKSHELL CANNOT BE FITTED WHEN MOUNTING FROM FRONT

CONNECTOR WITHOUT BACKSHELL

(SEE SHEET 2 FOR CONNECTOR WITH BACKSHELL)

| | | | | |
|---------|--------------------|--------------|---------------------------|----------|
| A | | FIRST ISSUE | GM | 05/04/18 |
| ISSUE | CHANGE DESCRIPTION | | CHECKED | DATE |
| DRAWN | MATERIAL | FINISH | MILITARY: NO RATING : N/A | |
| MEH | SEE KIT LIST | SEE KIT LIST | | |
| CHECKED | | | | |
| GM | | | | |

UNLESS OTHERWISE STATED:
ALL DIMENSIONS ARE IN mm

FIBRECO DRAWING TITLE
HOUSING STANDARD FLANGE
DURACON-EB SOCKET 4CH OUTLINE

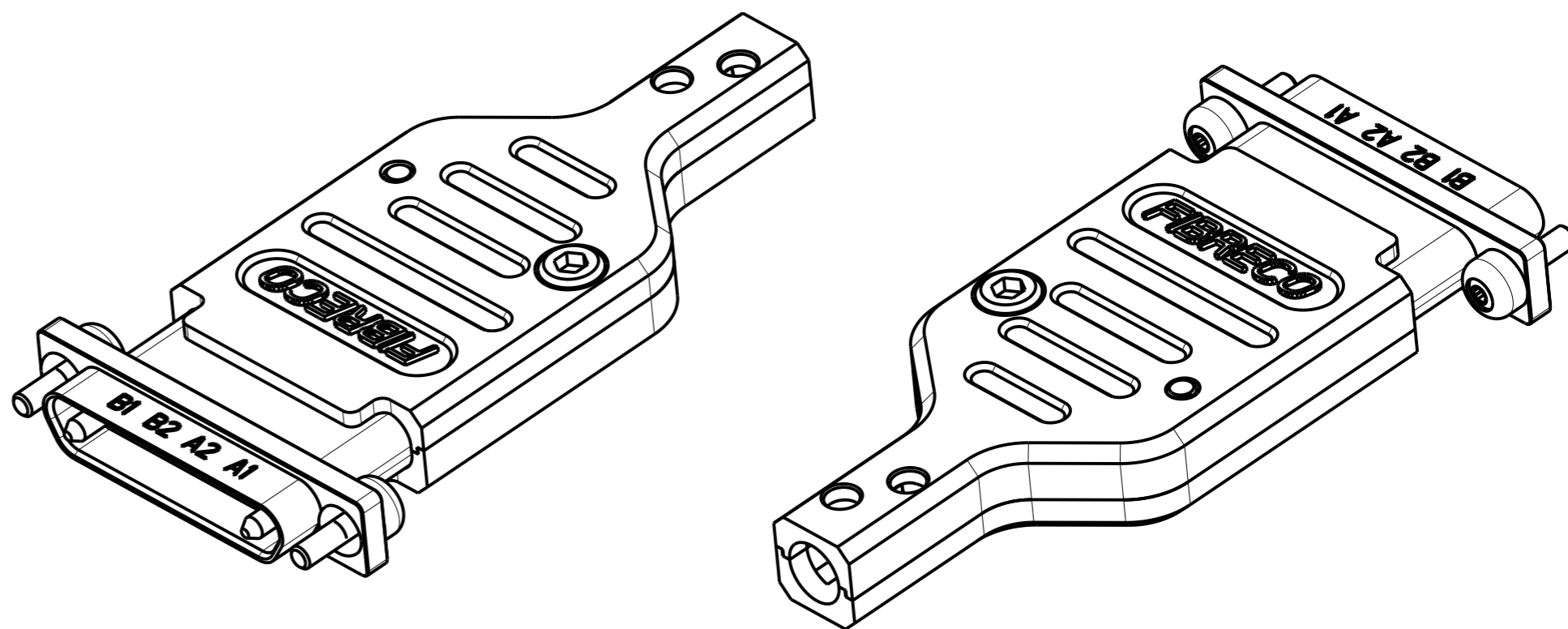
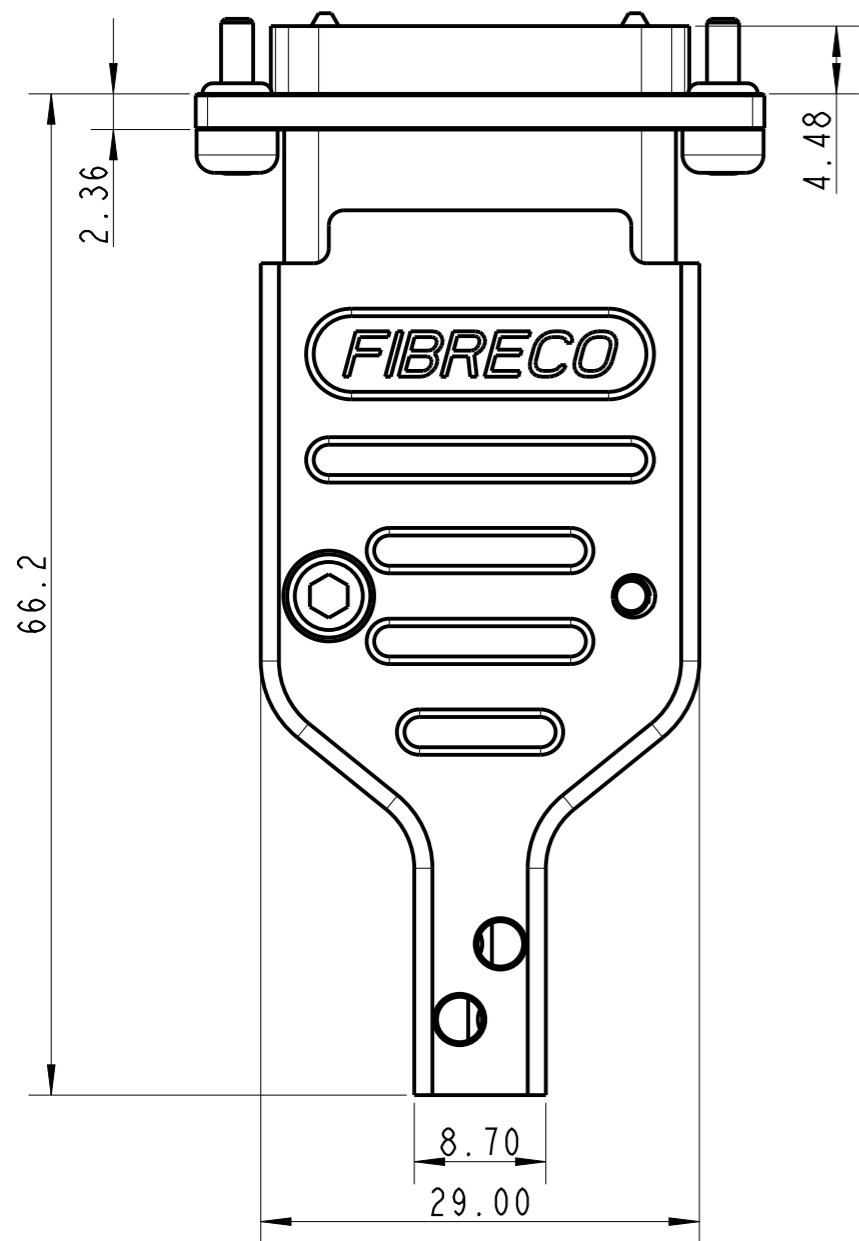
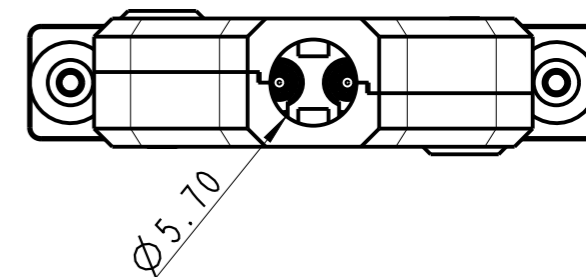
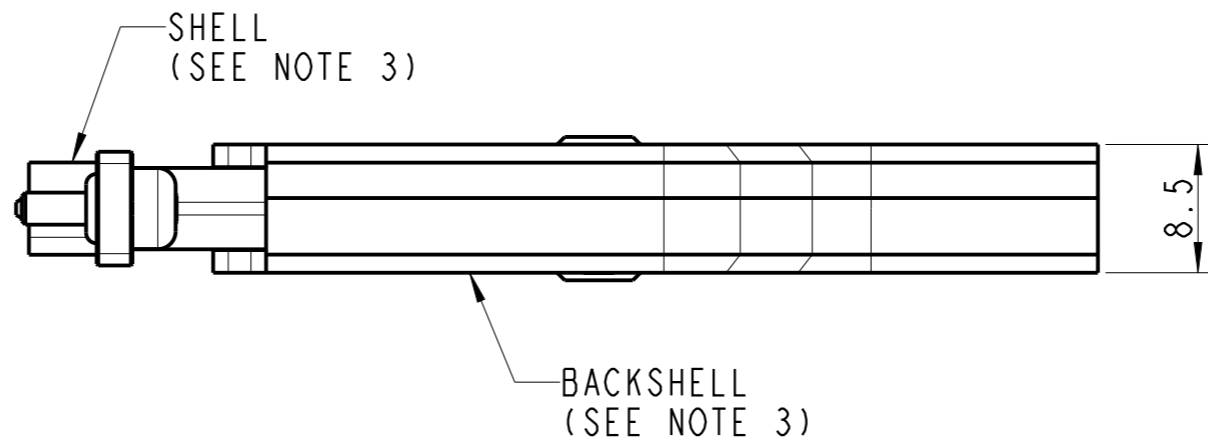
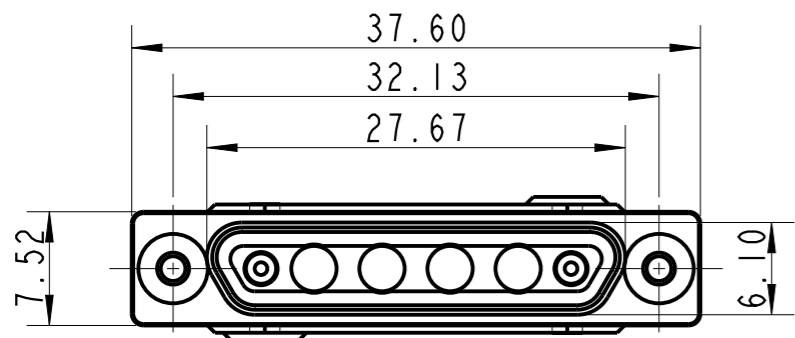
CONFIDENTIAL - THE INFORMATION CONTAINED IN THIS DRAWING IS THE SOLE PROPERTY OF CINCH LTD. ANY REPRODUCTION IN PART OR AS A WHOLE WITHOUT THE WRITTEN PERMISSION OF CINCH LTD IS PROHIBITED

Cinch Connectivity Solutions LTD
11 BILTON ROAD, CHELMSFORD, ESSEX. CMI 2UP
TEL: +44 (0) 1245 342060

FIBRECO DRAWING NUMBER
5372C

THIRD ANGLE
ORIGINAL: A3
SCALE: NTS

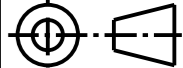
SHEET 1
OF 2



SEE SHEET 1 FOR NOTES

CONNECTOR WITH BACKSHELL

(SEE SHEET 1 FOR CONNECTOR WITHOUT BACKSHELL)

| | | | | | | | | | | | |
|--------------|--------------------------|------------------------|--|--|------------------------------|---|---|--|---------------------------------|--|-----------------|
| | | | | UNLESS OTHERWISE STATED: ALL DIMENSIONS ARE IN mm | | CONFIDENTIAL - THE INFORMATION CONTAINED IN THIS DRAWING IS THE SOLE PROPERTY OF CINCH LTD. ANY REPRODUCTION IN PART OR AS A WHOLE WITHOUT THE WRITTEN PERMISSION OF CINCH LTD IS PROHIBITED | | Cinch Connectivity Solutions LTD 11 BILTON ROAD, CHELMSFORD, ESSEX. CMI 2UP TEL: +44 (0) 1245 342060 | |  THIRD ANGLE ORIGINAL: A3 SCALE: NTS | |
| A | FIRST ISSUE | | | GM | 05/04/18 | | | | | | |
| ISSUE | CHANGE DESCRIPTION | | | CHECKED | DATE | | | | | | |
| DRAWN MEH | MATERIAL SEE KIT LIST | FINISH SEE KIT LIST | | | MILITARY: NO RATING : N/A | | FIBRECO DRAWING TITLE HOUSING STANDARD FLANGE DURACON-EB SOCKET 4CH OUTLINE | | FIBRECO DRAWING NUMBER 5372C | | SHEET 2 OF 2 |