

## F960 Expanded Beam Connector

### Fiber Optic Connectors

#### The Cinch Advantage

F960 expanded beam fiber optic connectors are fully compatible with other Eurocom type II legacy connectors. Designed specifically for military tactical communications, the F960 connector is available with 2, 4, 8 or 12 multimode optical channels and features a “pinless” alignment technique providing flat, easily cleanable mating surfaces.

The connectors are terminated using an epoxy-polish ferrule termination process with standard fiber optic termination tools and equipment. The terminated ferrules are simply inserted into the expanded beam housing and fixed in place via a spring and cover-plate.

Ferrule alignment to the lenses is achieved automatically by the unique optical arrangement developed and patented by Cinch-Fibreco.

In the event of the connector suffering severe damage in use, the connector design enables replacement of the expanded beam insert / connector front body and grip ring without the need to re-terminate the fibers. Typically, an expanded beam insert can be replaced within 30 minutes in field conditions.

The F960 expanded beam connectors offer high performance, flexibility and cost effectiveness, combined with a simple termination process allowing rapid in-field termination and repair where compatibility with legacy products is essential.

#### Key Features & Benefits

- Eurocom Type II 2 CH compatibility
- 2, 4, 8 or 12 Multimode optical channels
- Field terminable / repairable
- Hermaphroditic design
- Fully sealed (IP68)
- Compatible with Stratos S960
- 90 degree variant



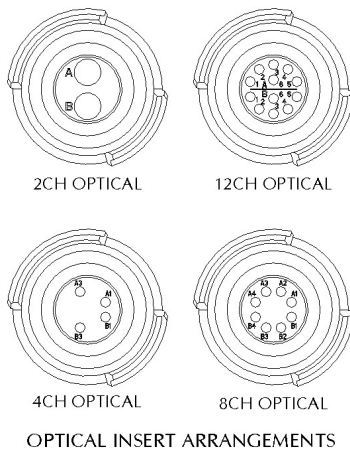
# F960 Expanded Beam Connector

## Outline Specification

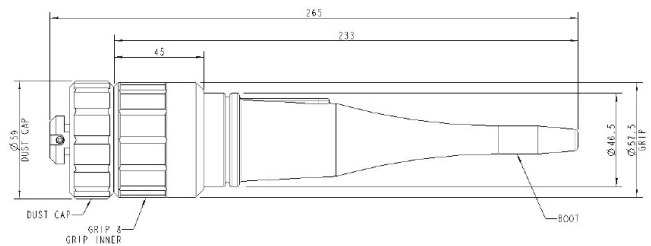
Insertion Loss	Multimode 50/125 Fiber at 850nm : -1.5dB maximum (typical -1.0dB)*
Durability	3000 Matings minimum
Operating Temperature	-40°C to +85°C
Storage Temperature	-55°C to +85°C
Water Immersion	5m
Free Fall Resistance	500 Falls from 1.2m height
Vibration	10-500Hz, 3 directions, 0.75mm amplitude@ 10g acceleration
Bump	4000 bumps @ 40g acceleration
Crush Resistance	6.7kN
Corrosion Resistance	500 Hours Salt Spray (Anodised aluminum shell)
Cable Retention	1500N (Cable Dependant)
Weight (approx)	Plug: 520g
Connector Shell Material / Color	Bulkhead: 430g, Aluminum, black anodised & Stainless Steel Grip & boot: Black

\*TL6020 Cable Dependant

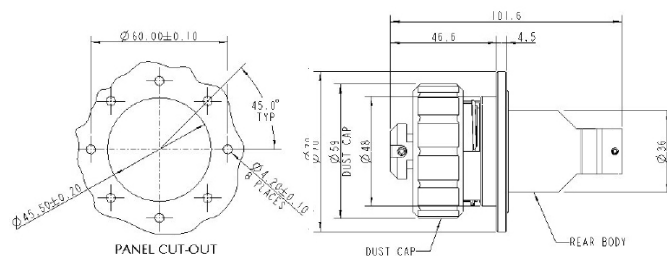
## Optical Insert Arrangements



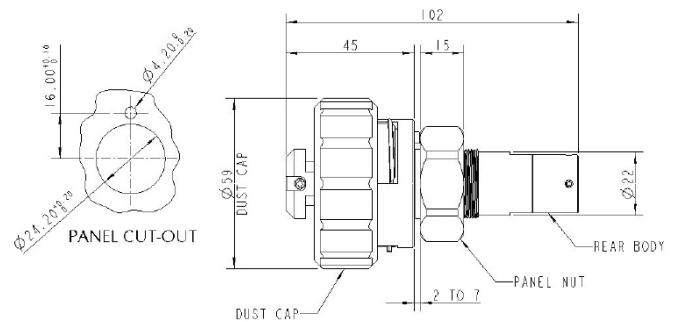
## Plug Connector



## Bulkhead Connector Flange Mount



## Bulkhead Connector Jam-Nut Mount



Cinch Connectivity Solutions reserves the right to change specifications without notice



**Asia Pacific**  
+86 21 5442 7668  
ccs.asia.sales@as.cinch.com

**Europe, Middle East & Africa**  
+44 (0) 1245 342060  
CinchConnectivity@eu.cinch.com

**North America**  
+1 507.833.8822  
ccsorders@us.cinch.com

[belfuse.com/cinch](http://belfuse.com/cinch)